

Technical Data

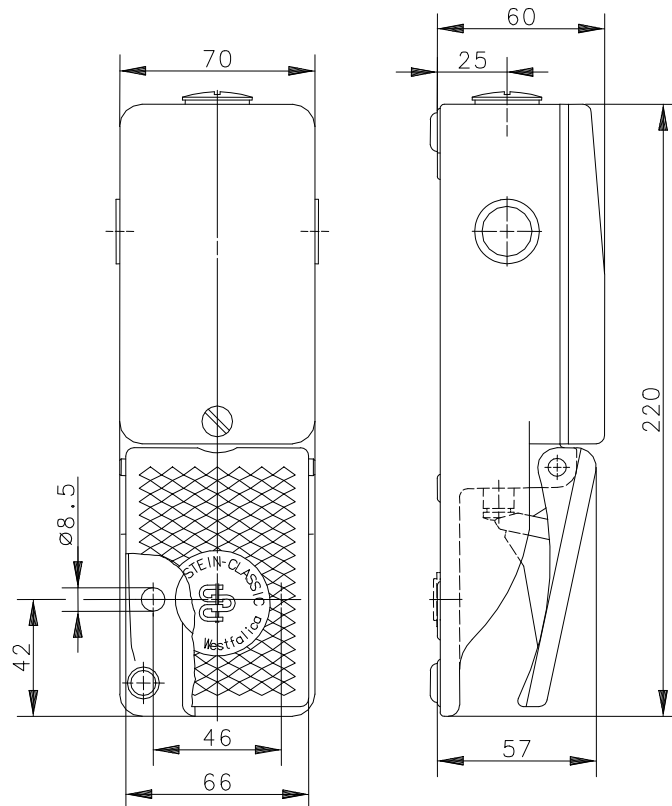
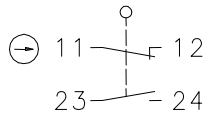
Foot-switch

Series F1

Description **F1-U1Z**

Article number **6161100424**

Switching symbol



Electrical data

Rated insulation voltage	U_i	400 V AC
Conv. thermal current	I_{the}	10 A
Rated operational voltage	U_e	240 V
Utilization category		AC-15, U_e/I_e 240 V / 3 A
Direct opening action	\rightarrow	acc. to IEC/EN 60947-5-1, Annex K
Short-circuit protective device		Fuse 10 A gG
Protection class		I

This document will not become the contractual basis; the details included herein do not constitute any descriptions of expected conditions, so that warranties/claims for defects on account of possible variations of the actual qualities from the qualities described herein are explicitly excluded. All rights reserved. Specifications subject to change without notice!

Date of issue: 04.12.2012 / Page 1 of 2
Document: 6161100424_en / Status: 2 / 2522-12

Technical Data

Foot-switch



Mechanical data

Enclosure	AL, die-cast, black
Cover	AL, die-cast, red
Actuator	Foot lever (PA), black
Ambient air temperature	-30 °C to +80 °C
Contact type	1 N.C, 1 N.O. (Zb)
Operating force – Pedal	approx. 10 N (pedal centre)
Mechanical life	10 x10 ⁶ operating cycles
Switching frequency	max. 50/min
Assembly	2 x M8
Connection	screw connections (M3,5)
Number of connections	4
Protection ground	2 x M4
Conductor cross-sections	Solid: 0,5 – 1,5 mm ² Litz wire with or without ferrules: 0,5 – 1,5 mm ²
Cable entrance	3 x M20x1,5
Weight	approx. 0,63 kg
Protection type	IP67 in accordance with IEC/EN 60529

ID for safety engineering

B10d	20 x 10 ⁶ switching cycles
------	---------------------------------------

Regulations

VDE 0660 T100, DIN EN 60947-1, IEC 60947-1
VDE 0660 T200, DIN EN 60947-5-1, IEC 60947-5-1

EU Conformity

acc. to directive 2006/42/EC

Approvals

UL1B68
cCSA_{US}, A300 (same polarity)
CCC

Notes

The degree of protection specified (IP code) applies only to a properly closed cover and the use of an equivalent cable gland with adequate cable.

This document will not become the contractual basis; the details included herein do not constitute any descriptions of expected conditions, so that warranties/claims for defects on account of possible variations of the actual qualities from the qualities described herein are explicitly excluded. All rights reserved. Specifications subject to change without notice!

Date of issue: 04.12.2012 / Page 2 of 2
Document: 6161100424_en / Status: 2 / 2522-12