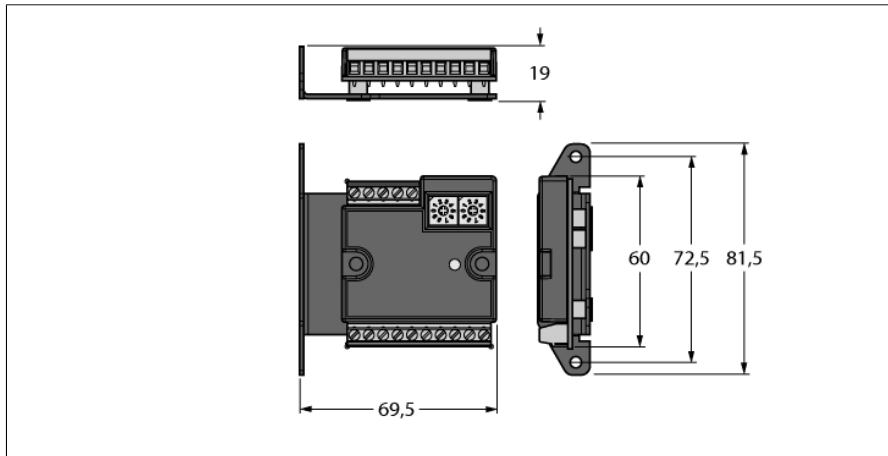


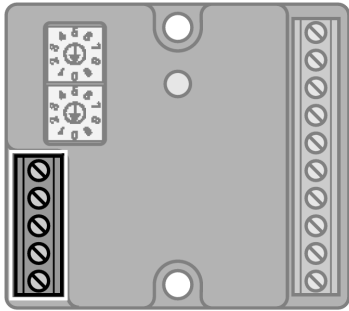
**DeviceNet module**  
**4 digital PNP inputs, 4 digital PNP outputs**  
**FDN20-S0404G-0220**



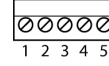
- DeviceNet™ slave
- Screw-clamp terminal block, 5-pin, for DeviceNet™ fieldbus connection
- Rotary coding switch for setting the DeviceNet™ address
- Screw-clamp terminal block, 10-pin, for I/O connection
- Degree of protection IP20

<b>Type designation</b>	FDN20-S0404G-0220
Ident-No.	6811333
Ident-No (TUSA)	F0220
<b>internal power consumption</b>	<75 mA plus I/O supply
Voltage supply via DeviceNet	24 VDC
Admissible range field supply	11...26 VDC
Power dissipation, typical	≤ 1.2 W
<b>Inputs</b>	
Number of channels	4
Input voltage	11...26 VDC
Low level signal voltage	< 4 V
High level signal voltage	8...24 V
Low level signal current	< 0.5 mA
High level signal current	1...3.4 mA
Max. input current	Total: 700 mA
<b>Number of channels</b>	4
Output voltage	18...26 VDC
Output current per channel	0.5 A (from DeviceNet™)
Switching frequency	≤ 100 Hz
Short-circuit protection	yes
<b>Fieldbus transmission rate</b>	125/250/500 kbps
Fieldbus address range	0...63
Fieldbus addressing	2 decimally coded rotary switches
<b>Dimensions (W x L x H)</b>	69.5 x 81.5 x 18.5mm
Housing material	Nylon
Operating temperature	-40...70°C
Protection class	IP20
Approvals	CSA general purpose

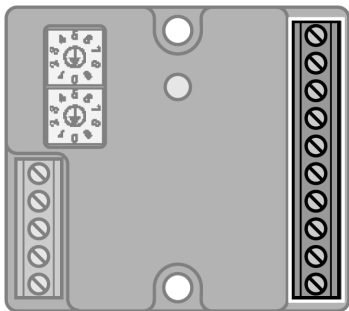
**DeviceNet module**  
**4 digital PNP inputs, 4 digital PNP outputs**  
**FDN20-S0404G-0220**



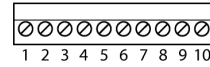
**DeviceNet™ and Power Supply**  
Fieldbus cable (example):  
CBC5-572-2M (ident no. 6606065) or  
RKC5701-5M (ident no. 6931035)



1 = V +  
2 = CAN<sub>H</sub>  
3 = SHD  
4 = CAN<sub>L</sub>  
5 = V -



**I/O Channels**



1 = V -      6 = I0  
2 = O0      7 = I1  
3 = O1      8 = I2  
4 = O2      9 = I3  
5 = O3      10 = V +