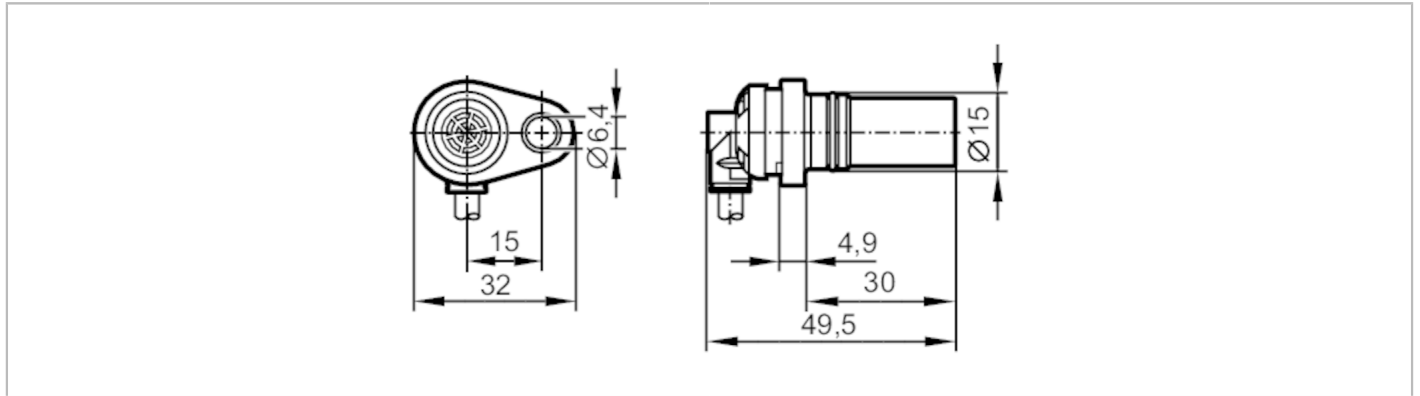


# MX5015



## Rotational speed sensor

MXD41,7 ANOG/H/2M/ZH



### Product characteristics

|                   |      |                 |
|-------------------|------|-----------------|
| Electrical design |      | NPN             |
| Sensing range     | [mm] | 1.7             |
| Dimensions        | [mm] | Ø 15 / L = 49.5 |

### Electrical data

|                             |      |           |
|-----------------------------|------|-----------|
| Operating voltage           | [V]  | 7...30 DC |
| Current consumption         | [mA] | < 30      |
| Protection class            |      | III       |
| Reverse polarity protection |      | no        |

### Outputs

|   |      |           |
|---|------|-----------|
| Electrical design                               |      | NPN       |
| Permanent current rating of switching output DC | [mA] | 50        |
| Switching frequency DC                          | [Hz] | 1...15000 |

### Monitoring range

|                    |      |     |
|--------------------|------|-----|
| Sensing range      | [mm] | 1.7 |
| Operating distance | [mm] | 1   |

### Operating conditions

|                     |      |                      |
|---------------------|------|----------------------|
| Ambient temperature | [°C] | -32...140            |
| Protection          |      | IP 65; IP 68; IP 69K |

### Tests / approvals

|                  |                   |   |
|------------------|-------------------|---|
| EMC              | EN 61000-4-2      | 4 kV CD / 8 kV AD   |
|                  | EN 61000-4-3      | 10 V/m  |
|                  | EN 61000-4-4      | 2 kV  |
|                  | EN 61000-4-6      | 10 V  |
|                  | EN 61000-4-8      | 30 A/m  |
| Shock resistance | DIN EN 60068-2-27 | 30 g 11 ms half-sine; 3 shocks each in every direction of the 3 coordinate axes |
| Salt spray test  | EN 60068/2-11     | 96 h 5 % NaCl bei 25 °C   |
| MTTF             | [years]           | 5884  |

# MX5015



## Rotational speed sensor

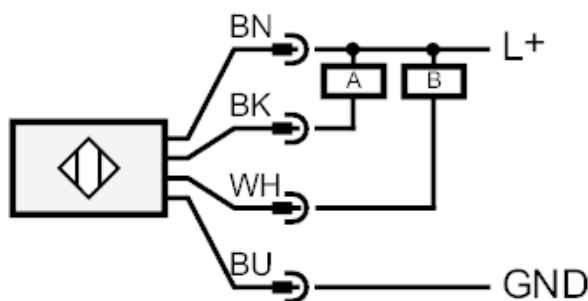
MXD41,7 ANOG/H/2M/ZH

| Mechanical data      |      |   |
|----------------------|------|---|
| Weight               | [g]  | 82.7                                    |
| Dimensions           | [mm] | Ø 15 / L = 49.5                         |
| Material             |      | Socket: brass; housing: PA; O-ring: FKM |
| Tightening torque    | [Nm] | 7                                       |
| Toothed wheel module | [mm] | 1.25                                    |
| Installation length  | [mm] | 30                                      |

| Remarks       |        |
|---------------|--------|
| Pack quantity | 1 pcs. |

| Electrical connection                     |  |
|---|--|
| Cable: 2 m, PUR; 4 x 0.34 mm <sup>2</sup> |  |

### Connection

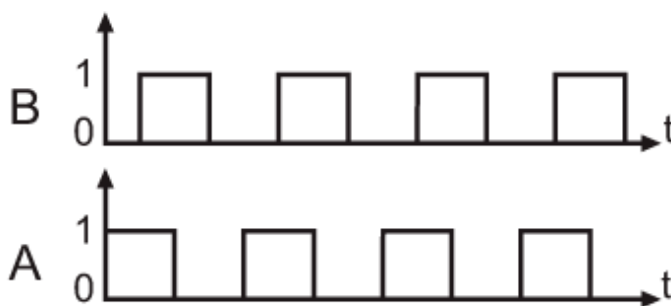


A: Pulse output

B: Pulse output

### Diagrams and graphs

Switching signals



phase shift 90° +/- 20°

pulse/pause ratio 50 % +/- 10 %

Using toothed wheels with a different modulus has an influence on the sensing range and the phase position.