



DATA SHEET

Customer:	
Ref.:	
Order:	
Motor:	
Serial nr:	
Date:	13-02-2020

ASYNCHRONOUS MOTOR 4A 90S-4

Nameplate data:

Code: 112354

Type:	4A 90S-4			IP55	F/B	Amb. temp.: Max. 40°		
kW	Hz	V	A	Rpm	Cos	Eff.	Duty	IE.class
1,10	50	380-415 D	2,70	1390	0,77	76,2%	S1	IE1-(Eff2)
1,10	50	690 Y	1,57	1390	0,77	76,2%		
1,32	60	440-480 D	2,82	1668	0,77	76,2%		

Description:

Mounting form:	B3/B14
Bearing DE:	6205-2Z/C3
Bearing NDE:	6205-2Z/C3
Weight - Kg.:	12,6
Heater:	No Heater
PTC:	No PTC
Kgm ² :	0,0023
Sound press.-db(A):	52,0

Other:

Test data S1-duty, Amb.temp 40°C:

Voltage - V:	400
Frequency - Hz:	50
Power - kW:	1,10
Full load speed - Rpm:	1390
Full load current - A:	2,70
Full load power factor - Cos:	0,77
Locked rotor current - A:	16,2
Locked rotor factor - A _{st} /A _n :	6,0

Efficiency 100% load - %:	76,2%
Efficiency 75% load - %:	
Efficiency 50% load - %:	
Full load torque - Nm:	7,6
Locked rotor torque - Nm:	17,4
Locked rotor torque - Nm _{st} /Nm _n :	2,3
Max. Pull out torque - Nm:	17,4
Max. Pull out torque. - Nm _{st} /Nm _n :	2,3

Over load/speed test	kW	Hz	V	A	Rpm
Over load 160% - 15sec.	1,76	50	400	4,32	1390
Over speed 125% - 2 min.	1,1	63	400	2,70	1738
H-Pot test voltage: 1800V			Temp. rise in stator:		

The motor is produced in accordance with following harmonized standards:
IEC60034-1, IEC60034-2, IEC60034-5, IEC60034-6, IEC60034-7, IEC60034-8, IEC60034-9
IEC60034-12, IEC60034-14, IEC60034-30, IEC60072.

Additional specifications in accordance with:
RINA - GL - LRS - BV - DNV - ABS - KR - RR - CCS - CCC - RMRS.

Bevi Group:

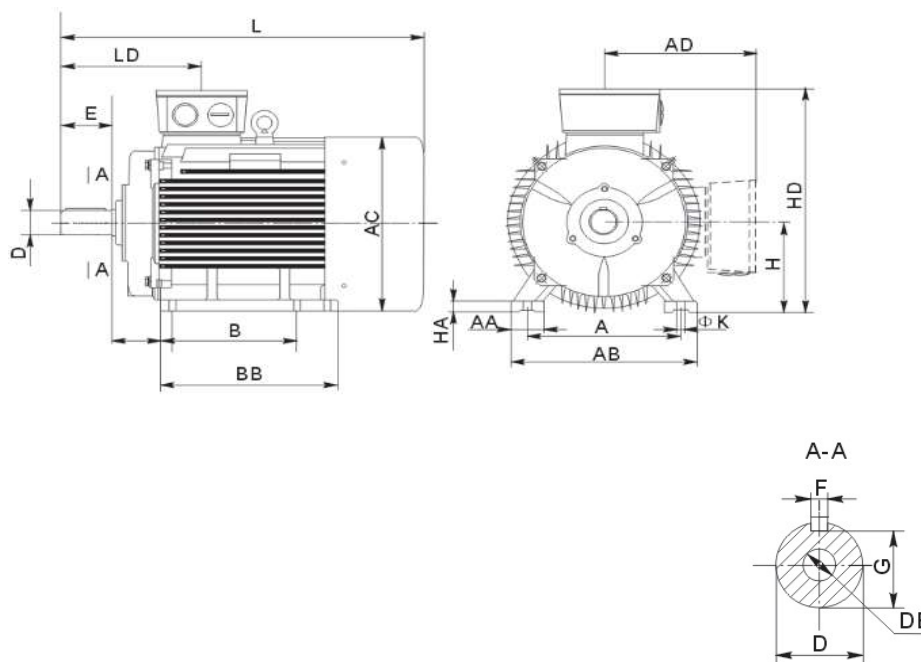
BEVI AB, Sweden	www.bevi.se	sales@bevi.se	+46 499 271 00
BEVI A/S, Denmark	www.bevi.dk	bevi@bevi.dk	+45 39 67 36 05
BEVI Norge A/S, Norway	www.bevi.no	info@bevi.no	+47 22 07 66 50
BEVI Finland OY AB, Finland	www.bevi.fi	info@bevi.fi	+358 9 2709 1210
BEVI CHINA, China	www.bevi.cn	sales@bevi.cn	+86 21 5032 5200



DATA SHEET

Customer:	
Ref.:	
Order:	
Motor:	
Serial nr:	
Date:	13-02-2020

Foot mounted motor 4A 90S-4 B3



A: 140	HD: 230	E: 50
B: 100	C: 56	D: 24
AB: 180	H: 90	G: 20
AC: 195	K: 10	DB: M8
AD: 140	L: 312	F: 8
LD: 125	L (V1): 362	

Bevi Group:

BEVI AB, Sweden
 BEVI A/S, Denmark
 BEVI Norge A/S, Norway
 BEVI Finland OY AB, Finland
 BEVI CHINA, China

www.bevi.se
www.bevi.dk
www.bevi.no
www.bevi.fi
www.bevi.cn

sales@bevi.se
bevi@bevi.dk
info@bevi.no
info@bevi.fi
sales@bevi.cn

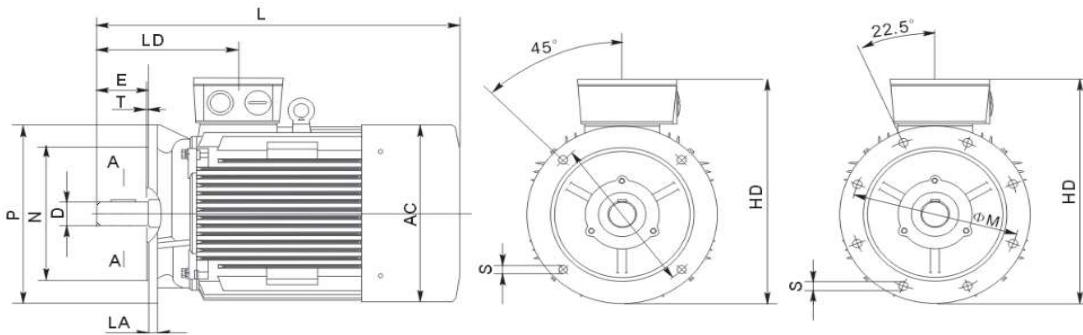
+46 499 271 00
 +45 39 67 36 05
 +47 22 07 66 50
 +358 9 2709 1210
 +86 21 5032 5200



DATA SHEET

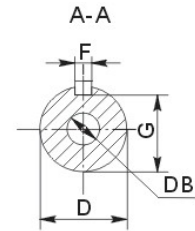
Customer:	
Ref.:	
Order:	
Motor:	
Serial nr:	
Date:	13-02-2020

Flange mounted motor 4A 90S-4 B5



IEC 56-200

IEC 225-400



M: 165	HD: 230	E: 50
N: 130	L: 312	D: 24
P: 200	L (V1): 362	G: 20
S: 12	LD: 125	DB: M8
		F: 8

Bevi Group:

BEVI AB, Sweden
 BEVI A/S, Denmark
 BEVI Norge A/S, Norway
 BEVI Finland OY AB, Finland
 BEVI CHINA, China

www.bevi.se
 www.bevi.dk
 www.bevi.no
 www.bevi.fi
 www.bevi.cn

sales@bevi.se
 bevi@bevi.dk
 info@bevi.no
 info@bevi.fi
 sales@bevi.cn

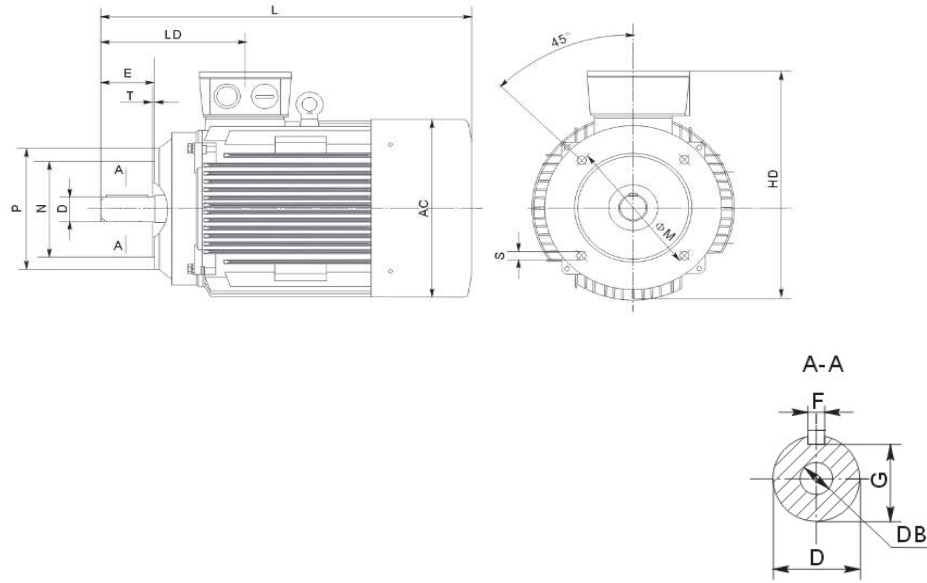
+46 499 271 00
 +45 39 67 36 05
 +47 22 07 66 50
 +358 9 2709 1210
 +86 21 5032 5200



DATA SHEET

Customer:	
Ref.:	
Order:	
Motor:	
Serial nr:	
Date:	13-02-2020

**Flange mounted motor
4A 90S-4 B14A + (B14B)**



Flange type:	B14A	B14B		
M:	115	130	HD:	230
N:	95	110	L:	312
P:	140	160	L (V1):	362
S:	M8	M8	LD:	125
			E:	50
			D:	24
			G:	20
			DB:	M8
			F:	8

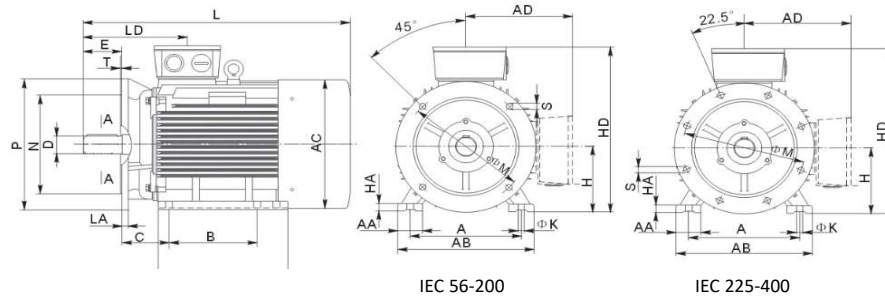
Bevi Group:			
BEVI AB, Sweden	www.bevi.se	sales@bevi.se	+46 499 271 00
BEVI A/S, Denmark	www.bevi.dk	bevi@bevi.dk	+45 39 67 36 05
BEVI Norge A/S, Norway	www.bevi.no	info@bevi.no	+47 22 07 66 50
BEVI Finland OY AB, Finland	www.bevi.fi	info@bevi.fi	+358 9 2709 1210
BEVI CHINA, China	www.bevi.cn	sales@bevi.cn	+86 21 5032 5200



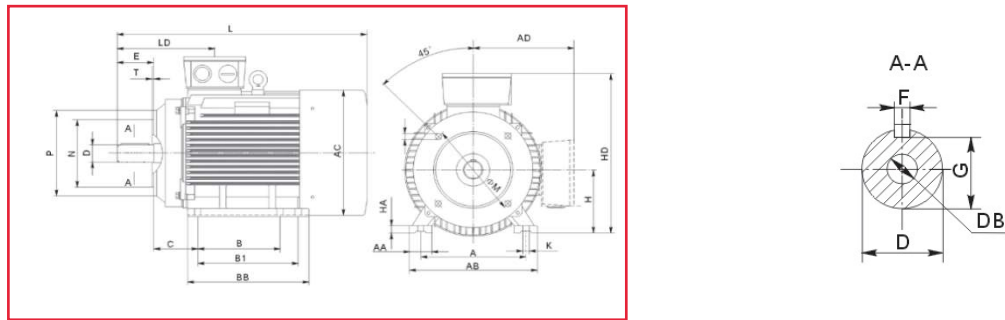
DATA SHEET

Customer:	
Ref.:	
Order:	
Motor:	
Serial nr:	
Date:	13-02-2020

Foot & flange mounted motor 4A 90S-4 B3/B5



4A 90S-4 B14A + (B14B)



Flange type: B5

M: 165
N: 130
P: 200
S: 12

B14A

M: 115
N: 95
P: 140
S: M8

(B14B)

M: 130
N: 110
P: 160
S: M8

A: 140	HD: 230	E: 50
B: 100	C: 56	D: 24
AB: 180	H: 90	G: 20
AC: 195	K: 10	DB: M8
AD: 140	L: 312	F: 8
LD: 125	L (V1): 362	

Bevi Group:

BEVI AB, Sweden
BEVI A/S, Denmark
BEVI Norge A/S, Norway
BEVI Finland OY AB, Finland
BEVI CHINA, China

www.bevi.se
www.bevi.dk
www.bevi.no
www.bevi.fi
www.bevi.cn

sales@bevi.se
bevi@bevi.dk
info@bevi.no
info@bevi.fi
sales@bevi.cn

+46 499 271 00
+45 39 67 36 05
+47 22 07 66 50
+358 9 2709 1210
+86 21 5032 5200