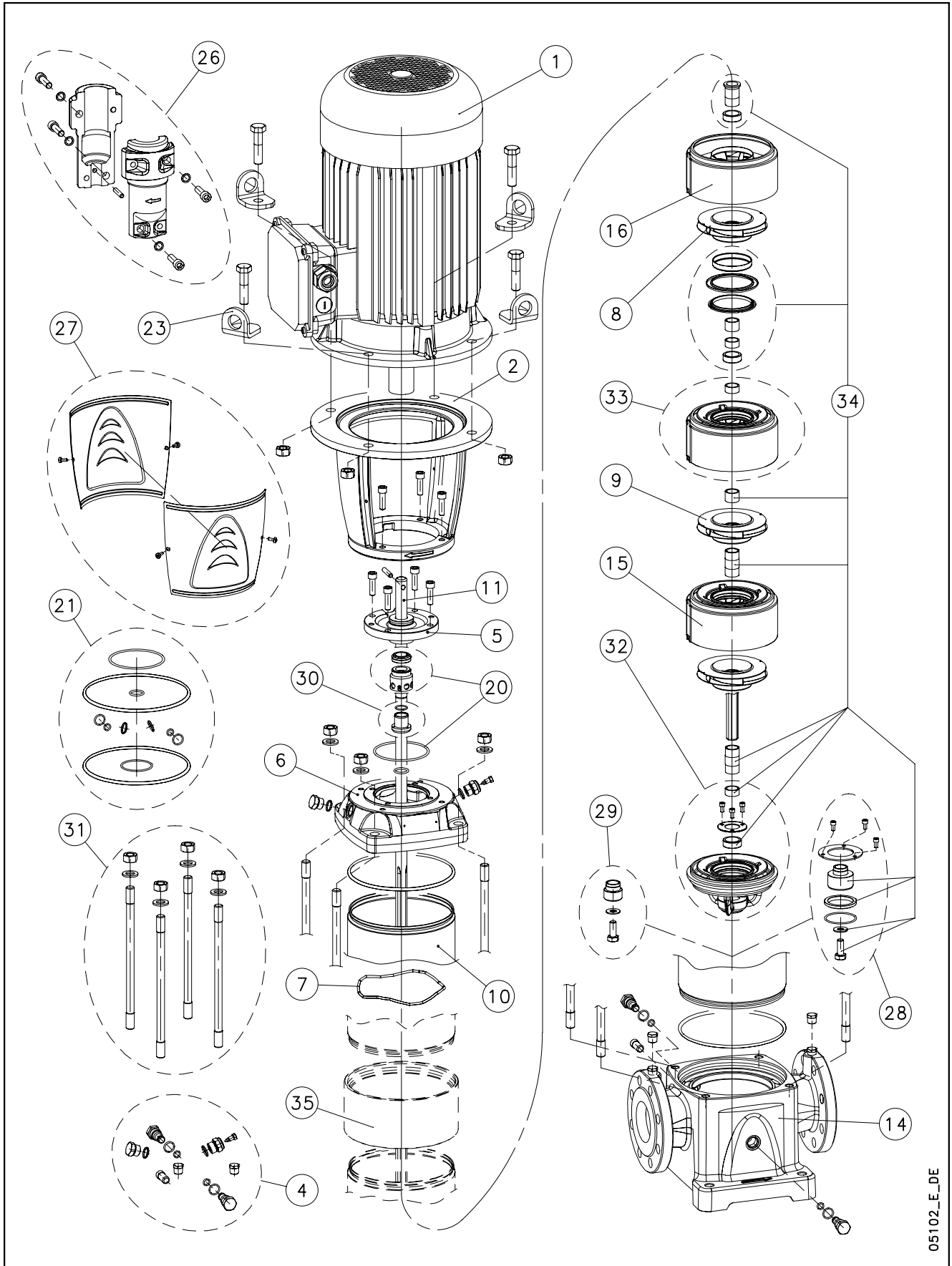


33, 46, 66, 92 SV



05102_E_DE

Lowara, Flygt and Vogel Pumpen are a trademark of Xylem Inc. or one of its subsidiaries. Goulds is a registered trademark of Goulds Pumps, Inc. and is used under license.

N.	Descrizione It	Description en	Description fr	Beschreibung de	Descripción es	Descrição pt
1	Motore	Motor	Moteur	Motor	Motor	Motor
2	Lanterna	Adaptor	Lanterne	Motorlaterne	Adaptador	Adaptador
4	Tappi	Plugs	Bouchons	Stopfen	Tapones	Tampões
5	Disco porta tenuta	Seal housing plate	Disque de support garniture	Dichtungsdeckel	Disco de alojamiento sello	Disco porta-vedante
6	Testata superiore	Upper head	Tête supérieure	Oberer kopf	Cabezal superior	Cabeça superior
7	Molla	Spring	Ressort	Feder	Muelle	Mola
8	Girante ridotta	Reduced impeller	Roue réduite	Laufrad, reduzierter Durchmesser	Rodete, reducido	Impulsor reduzido
9	Girante piena	Full impeller	Roue pleine	Laufrad, voller Durchmesser	Rodete, completo	Impulsor completo
10	Camicia	Sleeve	Chemise	Gehäuse	Camisa	Camisa
11	Albero	Shaft	Arbre	Welle	Árbol	Veio
14	Corpo pompa	Pump body	Corps de pompe	Pumpengehäuse	Caja bomba	Corpo da bomba
15	Diffusore boccola carbone	Diffuser carbon bush	Diffuseur douille carbone	Diffusor und Büchse, Kohle	Difusor casquillo carbón	Difusor bucha carvão
16	Diffusore finale	Last stage diffuser	Diffuseur dernier étage	Enddiffusor	Difusor final	Difusor final
20	Kit tenuta mecc. + OR	Mechanical seal + OR kit	Kit garniture mec. + joints toriques	Gleitringdichtung + O-Ring [Satz]	Kit sello mec. + junta tórica	Kit vedante mec. + OR
21	Kit guarnizioni OR	O ring kit	Kit joints toriques	Dichtungssatz	Kit juntas tóricas	Kit guarnições OR
23	Anello sollevamento	Lifting ring	Anneau de levage	Huböse	Anillo de elevación	Anel de suspensão
26	Kit coppia di semigiunti	Pair of half coupling kit	Kit paire de demi-manchons	Kupplung [Satz]	Kit par de semijuntas	Kit par de semi-juntas
27	Kit protezione giunto	Coupling guard kit	Kit protection manchon	Kupplungsschutz [Satz]	Kit protección junta	Kit proteção junta
28	Kit tamburo reggipinta	Thrust drum kit	Kit tambour butée	Drucklagerscheibe [Satz]	Kit tambor de empuje	Kit tambor de impulso
29	Kit bloccaggio giranti	Impeller locking kit	Kit blocage roues	Laufrad Halt [Satz]	Kit bloqueo rodetes	Kit bloqueio impulsores
30	Kit bussola tenuta	Bush seal kit	Kit douille garniture	ringdichtungsarretierung und mitneh	Kit casquillo sello	kit bucha vedante
31	Kit tiranti	Tie rods kit	Kit tirants	Zugstangen [Satz]	Kit tirantes	Kit tirantes
32	Kit supporto boccola Widia	Support tungsten bush kit	Kit support douille Widia	Widia Halterung [Satz]	Kit soporte casquillo Widia	Kit suporte com tungstênio bucha
33	Kit diffusore boccola Widia	Diffuser tungsten bush kit	Kit diffuseur douille Widia	Diffusor mit Widia Büchse [Satz]	Kit difusor casquillo Widia	Kit difusor com tungstênio bucha
34	Kit parti di usura	Wear parts kit	Kit parties d'usure	Verschleißteile [Satz]	Kit piezas de desgaste	Kit peças desgastáveis
35	Anello per camicie	Sleeve ring	Anneau pour chemises	Ringhülse	Anillo para camisas	Anel para camisas
N.	Beschrijving nl	Περιγραφή el	Açıklama tr	Kuvaus fi	Описание ru	Opis pl
1	Motor	Πλήρης κινητήρας	Motor	Moottori	Двигатель	Silnik
2	Lantaarnstuk	Μπρακέτο	Adaptör	Sovitin	Крестовина	Piasta
4	Pluggen	Σετ πατών	Tapalar	Tulpat	Пробки	Zatyczki
5	Dichtingssteunplaat	Δίσκος μηχανικού στυπιοθλιπτή	Sızdırmazlık elemanı diski	Tiivisteenn kannatuslevy	Пластина держателя прокладки	Tarcza uszczelki
6	Bovenste kop	Κεφαλή αντλίας	Üst kafa	Yläkansi	Верхняя головка	Głowica górna
7	Veer	Έλασμα	Yay	Jousi	Пружина	Sprężyna
8	Waaier met verkleinde diameter	Πτερόγιο μειωμένης διαμέτρου	Küçük boylu pompa rotoru	Pieni juoksupyörä	Уменьшенное рабочее колесо	Wirmik niepełny
9	Volle waaier	Πτερόγιο πλήρους διαμέτρου	Tam boylu pompa rotoru	Täydellinen juoksupyörä	Полное рабочее колесо	Wirmik pełny
10	Mantel	Κέλυφος	Gömlek	Muhvi	Муфта	Płaszcz
11	As	Άξονας	Mil	Akseli	Вал	Wał
14	Pomphuis	Σώμα αντλίας	Pompa gövdesi	Pumpun runko	Корпус насоса	Korpus pompy
15	Diffusor koollager	Πτερόγιο εκτροπής με κουζινέτο	Karbon burçlu difüzör	Diffusori ja hiiliholkki	Диффузор втулки угля	Dyfuzor tulejki węgla
16	Diffusor laatste trap	Τελευταίο πτερόγιο εκτροπής	Son difüzör	Loppuvaiheen diffuusori	Конечный диффузор	Dyfuzor końcowy
20	Set mech. asafdichting + O-ring	Μηχανικός στυπιοθλιπτής και ροδέλες στεγανοποίησης	Mekanik salmastra kiti + O-Ring	Mek. tiiviste + O-rengassarja	Комплект мех.прокладки + OR	Zestaw uszcz. mech. + OR
21	Set O-ringafdichtingen	Σετ ροδέλες στεγανοποίησης	O-Ring kiti	O-rengassarja	Комплект кольцевых прокладок OR	Zestaw uszczeliek OR
23	Hijs ring	Άρση δαχτυλίδι	Cihaz Kaldırma	Nostorengas	Подъемные кольца	Pierścień podnoszenia
26	Set koppelingshelften	Σετ σταθερού συνδέσμου	Çift yarım manşon kiti	Liitinsarja	Комплект пары полумуфт	Zestaw pary półzłączy
27	Set koppelingsbescherming	Καλύμματα προστασίας σταθερού συνδέσμου	Manşon koruma kiti	Liitoksen suojuussarja	Комплект защиты муфт	Zestaw ochronny złącza
28	Set druklagertrommel	Σετ ωστικού εμβόλου	Basınç yatağı tambur kiti	Rumpusarja	Комплект упорного барабана	Testaw bębna łożyska oporowego
29	Set waaierblokkeringen	Σετ ασφάλισης πτερυγιών	Pompa rotorlarını sabitleme kiti	Juoksupyörien kiinnityssarja	Комплект блокировки раб. колес	Zestaw blokujący wirmiki
30	Set afdichtingsbus	Σετ κουζινέτου μηχανικού στυπιοθλιπτή	Sızdırmazlık elemanı burcu kiti	Holkki ja tiiviste	Комплект втулки уплотнения	Zestaw busoli uszczel.
31	Set trekstangen	Σετ ράβδων σύνδεσης	Gergi çubuğu kiti	Vetotankosarja	Комплект тяг	Zestaw napinaczy
32	Set Widia steunbus	Σετ κάτω κουζινέτου	Tungsten burç mesnedi kiti	Kannatin ja kovametalliholkki	Комплект опоры втулки Widia	Zestaw wspornika tulejki Wolfram
33	Set Widia diffusorbus	Σετ πτερυγιού εκτροπής με κουζινέτο και δακτύλιο τριβής	Tungsten burçlu difüzör kiti	Diffusori ja kovametalliholkki	Комплект диффузора втулки Widia	Zestaw dyfuzora tulejki Wolfram
34	Set slijtonderdelen	Σετ δακτύλιων τριβής	Aşınma parçaları kiti	Kulumisiosien sarja	Комплект изнашиваемых частей	Zestaw części podł. zużyciu
35	Ring voor mantels	Σύνδεσμος κελύφων	Gömlek halkası	Muhvirengas	Кольцо муфты	Pierścień do płaszczy

Production date > June11

33SVN 2 Pole (33SVN/D: motors IE3 fitted)

ELP 2 P, 3 ~										
N - Version	33SV1/1AN	33SV1N	33SV2/2AN	33SV2/1AN	33SV2N	33SV3/2AN	33SV3/1AN	33SV3N	33SV4/2AN	33SV4/1AN
T(IE2) ->	101570014	101570024	101570034	101570044	101570054	101570064	101570074	101570084	101570094	101570104
T(IE3) ->	101680014	101680024	101680034	101680044	101680054	101680064	101680074	101680084	101680094	101680104
	33SV4N	33SV5/2AN	33SV5/1AN	33SV5N	33SV6/2AN	33SV6/1AN	33SV6N	33SV7/2AN	33SV7/1AN	33SV7N
T(IE2) ->	101570114	101570124	101570134	101570144	101570154	101570164	101570174	101570184	101570194	101570204
T(IE3) ->	101680114	101680124	101680134	101680144	101680154	101680164	101680174	101680184	101680194	101680204
	33SV8/2AN	33SV8/1AN	33SV8N	33SV9/2AN	33SV9/1AN	33SV9N	33SV10/2AN	33SV10/1AN	33SV10N	33SV11/2AN
T(IE2) ->	101570214	101570224	101570234	101570244	101570254	101570264	101570274	101570284	101570294	101570304
T(IE3) ->	101680214	101680224	101680234	101680244	101680254	101680264	101680274	101680284	101680294	101680304
	33SV11/1AN	33SV11N	33SV12/2AN	33SV12/1AN	33SV12N	33SV13/2AN	33SV13/1AN			
T(IE2) ->	101570314	101570324	101570334	101570344	101570354	101570364	101570374			
T(IE3) ->	101680314	101680324	101680334	101680344	101680354	101680364	101680374			
Motor power	2,2	3,0	4,0	4,0	5,5	5,5	7,5	7,5	7,5	11,0
kW >	11,0	11,0	11,0	15,0	15,0	15,0	15,0	15,0	18,5	18,5
	18,5	18,5	22,0	22,0	22,0	22,0	22,0	30,0	30,0	30,0
	30,0	30,0	30,0	30,0	30,0	30,0	30,0			

Single Unit and Kit

Stages >		1	2	3	4	5	6	7	8	9	10
		11	12	13							
10	Sleeve PN25	166441880	166441890	166441900	166441910	166441920	166441930	166441940	166441950	166441960	166441970
	Sleeve PN40	156408600	156408610	156408620	156408630	156408640	156408650	156408660	156408670	156408680	156408690
		KL13AAA	KL13AAB	KL13AAC	Note. Double Sleeve Kit Without Sleeve Ring (pls see item 35)						
11	Shaft	165045620	165045630	165045640	165045650	165045660	165045670	165045680	165045690	165045700	165045710
		165045720	165045730	165045740							
31	Tie rods kit SVN	KL22AA5	KL22AA6	KL22AA7	KL22AA8	KL22AA9	KL22AA0	KL22AA1	KL22AA2	KL22AA3	KL22AA4

Motor, Coupling, Adaptor

**1	kW >	2,2	3,0	4,0	5,5	7,5	11,0	15,0	18,5	22,0	30,0
	Mot.2P,3~, IE2 >	50001RD00	50002RF00	50008VG00	50013VE00	50017VB00	50019VE00	50024VB00	50025VB00	50026VE00	107242100
	Mot.2P,3~, IE3 >	50A01RD00	50A02RF00	50A08VL00	50A13VE00	50A17VB00	50A19VE00	50A24VB00	50A25VB00	50A26VE00	23064644AQ
2	Adaptor	161453600	161453620	161453640	161453660	161453680	161453700	161453720	161453740	161453760	161453780
23	Lifting bracket	-	-	-	161441050	161441060	161441070	161441080	161441090	161441100	161441110
26	Coupling	KL10AAA	KL10AAB	KL10AAB	KL10AAC	KL10AAC	KL10AAD	KL10AAD	KL10AAD	KL10AAE	KL10AAF
27	Coupling guard	KL33AAA	KL33AAA	KL33AAA	KL33AAB	KL33AAB	KL33AAC	KL33AAC	KL33AAC	KL33AAC	KL33AAC

Wear parts, pump body

		->33SV4	->33SV5	->33SV9	->33SV13
	drum, impeller stop, impeller locking	1 bearing no drum	2 bearing no drum	2 bearing drum	3 bearing drum
* 34	Wear Parts Kit	KL35AA9	KL35ABA	KL35ABB	KL35ABD
14	Pump body	PN16	151302000	151302000	-
		PN25-40	-	-	151302020
28	Drum	EPDM	-	-	KL41AAA
		FPM	-	-	KL41AAD
		FEP	-	-	KL41AAS
29	Impeller locking	KL41AAG	KL41AAG	-	-

33SVN PN25
--> code ending with 5
(like: 101680045, 101680075, ...)
Drum Plug A316 168400250

Mech seal D2 + OR

*20	Materials ->	Q1BEGG	KL01AC0
		Q1Q1EGG	KL01AC1
		Q1BVG G	KL01AC2
		Q1Q1VGG	KL01AC3
		Q1CTGG	KL01AC5
		Q1Q1TGG	KL01AC6

Common, Single Unit and Kit

4	Plugs	EPDM	KL34AAF
		FPM	KL34AAG
		FEP	KL34AAH
5	Seal housing plate		160102850
6	Upper head		161440020
7	Spring		169100190
*8	Reduced impeller A		150702820
*9	Full impeller		150702740
15	Diffuser carbon bush		152801800
16	Last stage diffuser		152801730
*21	OR	EPDM	KL02AAA
		FPM	KL02AAD
	OR	FEP	KL02AA7
		FPM	KL02AAE
	OR	FEP	KL02AA8
30	Bush seal		KL41AAH
32	Support tungsten bush SVN		KL16AAE
*33	Diffuser tungsten bush		KL05AC6
35	Sleeve ring		168601910

* Recommended spare parts - Parti di ricambio consigliate

* Pièces détachées conseillées - Empfohlene Ersatzteile

** Motor spare parts: see motor lists - Parti di ricambio motore: vedi liste motore

** Pièces détachées Moteur : voir listes moteur - Motor-Ersatzteile: gem. Motorlisten

3392SV_N_5_June11_EdE

33SVN 4 Pole (33SVN/D: motors IE3 fitted)

ELP 4 P, 3 ~										
N - Version	33SV3/2AN4	33SV4/1AN4	33SV5N4	33SV6N4	33SV7N4	33SV8N4	33SV9N4	SV3310N4	SV3311N4	SV3312N4
T(IE2) ->	101570564	101570604	101570644	101570674	101570704	101570734	101570764	101570794	101570824	101570854
T(IE3) ->	101680564	101680604	101680644	101680674	101680704	101680734	101680764	101680794	101680824	101680854
	SV3313N4									
T(IE2) ->	101570884									
T(IE3) ->	101680884									
Motor power	1,1	1,1	1,5	2,2	2,2	3,0	3,0	3,0	4,0	4,0
kW >	4,0									

Single Unit and Kit

Stages >	3	4	5	6	7	8	9	10	11	12
	13									
10 Sleeve PN25	166441900	166441910	166441920	166441930	166441940	166441950	166441960	166441970	KL13AAD	KL13AAE
	KL13AAF	Note. Double Sleeve Kit Without Sleeve Ring (pls see item 35)								
Sleeve PN40	156408620	156408630	156408640	156408650	156408660	156408670	156408680	156408690	KL13AAA	KL13AAB
	KL13AAC	Note. Double Sleeve Kit Without Sleeve Ring (pls see item 35)								
11 Shaft	165045640	165045650	165045660	165045670	165045680	165045690	165045700	165045710	165045720	165045730
	165045740									
31 Tie rods kit SVN	KL22AAU	KL22AAV	KL22AAW	KL22AAX	KL22AAY	KL22AAZ	KL22AA0	KL22AA1	KL22AA2	KL22AA3
	KL22AA4									

Motor, Coupling, Adaptor

**1	kW >	1,1	1,5	2,2	3,0	4,0
	Motor 4P, 3~, IE2 ->	50005RD00	50006RD00	50010RD00	50011RD00	50015VD00
	Motor 4P, 3~, IE3 ->	50A05RD00	50A06RD00	50A10RD00	50A11RD00	50A15VD00
2 Adaptor		161453600	161453600	161453620	161453620	161453620
23 Lifting bracket		-	-	-	-	-
26 Coupling		KL10AAA	KL10AAA	KL10AAB	KL10AAB	KL10AAB
27 Coupling guard		KL33AAA	KL33AAA	KL33AAA	KL33AAA	KL33AAA

Wear parts, pump body

	->33SV4	->33SV9	->33SV13
impeller stop, impeller locking	1 bearing no drum	2 bearing no drum	3 bearing no drum
* 34 Wear Parts Kit	KL35AA9	KL35AFR	KL35ABC
14 Pump body PN16	151302000	151302000	151302000
29 Impeller locking	KL41AAG	KL41AAG	KL41AAG

Mech seal D2 + OR

*20	Materials ->	Q1BEGG	KL01AC0
		Q1Q1EGG	KL01AC1
		Q1BVGG	KL01AC2
		Q1Q1VGG	KL01AC3
		Q1CTGG	KL01AC5
		Q1Q1TGG	KL01AC6

Common, Single Unit and Kit

4 Plugs	EPDM	KL34AAF	
	FPM	KL34AAG	
	FEP	KL34AAH	
5 Seal housing plate		160102850	
6 Upper head		161440020	
7 Spring		169100190	
8 Reduced impeller A		150702820	
9 Full impeller		150702740	
15 Diffuser carbon bush		152801800	
16 Last stage diffuser		152801730	
*21 OR	EPDM	KL02AAA	Single-Double Sleeve
	FPM	KL02AAD	
OR	FEP	KL02AA7	Single Sleeve
	FPM	KL02AAE	
OR	FEP	KL02AA8	Double Sleeve
30 Bush seal		KL41AAH	
32 Support tungsten bush SVN		KL16AAE	
*33 Diffuser tungsten bush		KL05AC6	From 33SV4, included
35 Sleeve ring		168601910	For 12-13 Stages Double Sleeve Pumps
Diffuser box empty		152801960	33-46SV 2-4 pole

* Recommended spare parts - Parti di ricambio consigliate

* Pièces détachées conseillées - Empfohlene Ersatzteile

** Motor spare parts: see motor lists - Parti di ricambio motore: vedi liste motore

** Pièces détachées Moteur : voir listes moteur - Motor-Ersatzteile: gem. Motorlisten

3392SV_N_5_June11_EdE

Production date > June11

46SVN 2 Pole (46SVN/D: motors IE3 fitted)

ELP 2 P, 3 ~	46SV1/1AN	46SV1N	46SV2/2AN	46SV2N	46SV3/2AN	46SV3N	46SV4/2AN	46SV4N	46SV5/2AN	46SV5N
N - Version										
T(IE2) ~>	101572014	101572024	101572034	101572044	101572054	101572064	101572074	101572084	101572094	101572104
T(IE3) ~>	101682014	101682024	101682034	101682044	101682054	101682064	101682074	101682084	101682094	101682104
	46SV6/2AN	46SV6N	46SV7/2AN	46SV7N	46SV8/2AN	46SV8N	46SV9/2AN	46SV9N	SV4610/2AN	SV4610N
T(IE2) ~>	101572114	101572124	101572134	101572144	101572154	101572164	101572174	101572184	101572194	101572204
T(IE3) ~>	101682114	101682124	101682134	101682144	101682154	101682164	101682174	101682184	101682194	101682204
	SV4611/2AN	SV4611N	SV4612/2AN	SV4612N	SV4613/2AN					
T(IE2) ~>	101572214	101572224	101572234	101572244	101572254					
T(IE3) ~>	101682214	101682224	101682234	101682244	101682254					
Motor power	3.0	4.0	5.5	7.5	11.0	11.0	15.0	15.0	18.5	18.5
kW >	22.0	22.0	30.0	30.0	30.0	30.0	30.0	37.0	37.0	37.0
	45.0	45.0	45.0	45.0	45.0					

Single Unit and Kit

Stages >	1	2	3	4	5	6	7	8	9	10
10 Sleeve , PN25	166441880	166441890	166441900	166441910	166441920	166441930	166441940	166441950	166441960	-
Sleeve , PN40	156408600	156408610	156408620	156408630	156408640	156408650	156408660	156408670	156408680	156408690
	KL13AAA	KL13AAB	KL13AAC	Note. Double Sleeve Kit Without Sleeve Ring (pls see item 35)						
11 Shaft	165045620	165045630	165045640	165045650	165045660	165045670	165045680	165045690	165045700	165045710
	165045720	165045730	165045740							
31 Tie rods kit SVN	KL22AAS	KL22AAT	KL22AAU	KL22AAV	KL22AAW	KL22AAX	KL22AAZ	KL22AA0	KL22AA1	KL22AA2
	KL22AA2	KL22AA3	KL22AA4							

Motor, Coupling, Adaptor

**1 Motor power >	3.0	4.0	5.5	7.5	11.0	15.0	18.5	22.0	30.0	37.0
kW >	45.0									
Mot.2P,3~, IE2 >	50002RF00	50008VG00	50013VE00	50017VB00	50019VE00	50024VB00	50025VB00	50026VE00	107242100	107242200
	107242300									
Mot.2P,3~, IE3 >	50A02RF00	50A08VL00	50A13VE00	50A17VB00	50A19VE00	50A24VB00	50A25VB00	50A26VE00	23064644AQ	23064645AR
	23064646AA									
2 Adaptor	161453620	161453620	161453640	161453660	161453660	161453660	161453660	161453660	161453680	161453680
	161453700									
23 Lifting bracket	-	-	161441050	161441050	161441060	161441060	161441060	161441060	161441070	161441070
	161441070									
26 Coupling	KL10AAB	KL10AAB	KL10AAC	KL10AAC	KL10AAD	KL10AAD	KL10AAD	KL10AAE	KL10AAF	KL10AAF
	KL10AAF									
27 Coupling guard	KL33AAA	KL33AAA	KL33AAB	KL33AAB	KL33AAC	KL33AAC	KL33AAC	KL33AAC	KL33AAC	KL33AAC
	KL33AAC									

Wear parts, pump body

	->46SV3	->46SV4	->46SV9	->46SV13
drum, impeller stop, impeller locking	1 bearing no drum	1 bearing drum	2 bearing drum	3 bearing drum
*34 Wear Parts Kit	KL35ABE	KL35ABX	KL35ABG	KL35ABK
14 Pump body	PN16	151302040	-	-
	PN16-40	-	151302060	151302060
28 Drum	EPDM	-	KL41AAB	KL41AAB
	FPM	-	KL41AAE	KL41AAE
	FEP	-	KL41AAT	KL41AAT
29 Impeller locking	KL41AAG	-	-	-

Mech seal D2 + OR

*20	Materials ->	Q1BEGG	KL01AC0
		Q1Q1EGG	KL01AC1
		Q1BVGG	KL01AC2
		Q1Q1VGG	KL01AC3
		Q1CTGG	KL01AC5
		Q1Q1TGG	KL01AC6

Common, Single Unit and Kit

4 Plugs	EPDM	KL34AAF	
	FPM	KL34AAG	
	FEP	KL34AAH	
5 Seal housing plate		160102850	
6 Upper head		161440020	
7 Spring		169100190	
8 Reduced impeller A		150702830	
9 Full impeller		150702750	
15 Diffuser carbon bush		152801810	
16 Last stage diffuser		152801730	
*21 OR	EPDM	KL02AAA	Single-Double Sleeve
OR	FPM	KL02AAD	
	FEP	KL02AA7	Single Sleeve
OR	FPM	KL02AAE	
	FEP	KL02AA8	Double Sleeve
30 Bush seal		KL41AAH	
32 Support tungsten bush SVN		KL16AAF	
*33 Diffuser tungsten bush		KL05AC7	From 46SV5, included
35 Sleeve ring		168601910	For 11-12 Stages Double Sleeve Pumps
Diffuser box empty		152801960	33-46SV 2-4 pole

* Recommended spare parts - Parti di ricambio consigliate

* Pièces détachées conseillées - Empfohlene Ersatzteile

** Motor spare parts: see motor lists - Parti di ricambio motore: vedi liste motore

** Pièces détachées Moteur : voir listes moteur - Motor-Ersatzteile: gem. Motorlisten

3392SV_N_5_June11_Ede

46SVN 4 Pole (46SVN/D: motors IE3 fitted)

ELP 4P, 3 ~	46SV2N4	46SV3N4	46SV4N4	46SV5N4	46SV6N4	46SV7N4	46SV8N4	46SV9N4	SV4610N4	SV1611N4
N - Version										
T(IE2) ~>	101572544	101572564	101572584	101572604	101572624	101572644	101572664	101572684	101572704	101572724
T(IE3) ~>	101682544	101682564	101682584	101682604	101682624	101682644	101682664	101682684	101682704	101682724
	SV4612N4									
T(IE2) ~>	101572744									
T(IE3) ~>	101682744									
Motor power kW >	1,1	1,5	2,2	2,2	3,0	3,0	4,0	4,0	5,5	5,5

Single Unit and Kit

Stages >	2	3	4	5	6	7	8	9	10	11
	12									
10 Sleeve , PN25	166441890	166441900	166441910	166441920	166441930	166441940	166441950	166441960	166441970	KL13AAD
	KL13AAE	Note. Double Sleeve Kit Without Sleeve Ring (pls see item 35)								
Sleeve , PN40	156408610	156408620	156408630	156408640	156408650	156408660	156408670	156408680	156408690	KL13AAA
	KL13AAB	Note. Double Sleeve Kit Without Sleeve Ring (pls see item 35)								
11 Shaft	165045630	165045640	165045650	165045660	165045670	165045680	165045690	165045700	165045710	165045720
	165045730									
31 Tie rods kit SVN	KL22AAT	KL22AAU	KL22AAV	KL22AAW	KL22AAX	KL22AAY	KL22AAZ	KL22AA0	KL22AA1	KL22AA2
	KL22AA3									

Motor, Coupling, Adaptor

**1 Mot. power, kW >	1,1	1,5	2,2	3,0	4,0	5,5
Mot.4P, 3~, IE2 ->	50006RD00	50006RD00	50010RD00	50011RD00	50015VD00	50020VB00
Mot.4P, 3~, IE3 ->	50A05RD00	50A06RD00	50A10RD00	50A11RD00	50A15VD00	50A20VB00
2 Adaptor	161453600	161453600	161453620	161453620	161453620	161453640
23 Lifting bracket	-	-	-	-	-	161441050
26 Coupling	KL10AAA	KL10AAA	KL10AAB	KL10AAB	KL10AAB	KL10AAC
27 Coupling guard	KL33AAA	KL33AAA	KL33AAA	KL33AAA	KL33AAA	KL33AAB

Wear parts, pump body

		->46SV4	->46SV9	->46SV12
impeller stop, impeller locking		1 bearing no drum	2 bearing no drum	3 bearing no drum
*34 Wear Parts Kit		KL35ABE	KL35ABF	KL35ABH
14 Pump body	PN16	151302060	151302060	151302060
29 Impeller locking		KL41AAG	KL41AAG	KL41AAG

Mech seal D2 + OR

*20	Materials ->	Q1BEGG	KL01AC0
		Q1Q1EGG	KL01AC1
		Q1BVGG	KL01AC2
		Q1Q1VGG	KL01AC3
		Q1CTGG	KL01AC5
		Q1Q1TGG	KL01AC6

Common, Single Unit and Kit

4 Plugs	EPDM	KL34AAF	
	FPM	KL34AAG	
	FEP	KL34AAH	
5 Seal housing plate		160102850	
6 Upper head		161440020	
7 Spring		169100190	
8 Reduced impeller A		150702830	
9 Full impeller		150702750	
15 Diffuser carbon bush		152801810	
16 Last stage diffuser		152801730	
*21 OR	EPDM	KL02AAA	Single-Double Sleeve
	FPM	KL02AAD	
	FEP	KL02AA7	Single Sleeve
	FPM	KL02AAE	
	FEP	KL02AA8	Double Sleeve
30 Bush seal		KL41AAH	
32 Support tungsten bush SVN		KL16AAF	
*33 Diffuser tungsten bush		KL05AC7	From 46SV5, included
35 Sleeve ring		168601900	For 11-12 STages Double Sleeve Pumps
Diffuser box empty		152801960	33-46SV 2-4 pole

* Recommended spare parts - Parti di ricambio consigliate

* Pièces détachées conseillées - Empfohlene Ersatzteile

** Motor spare parts: see motor lists - Parti di ricambio motore: vedi liste motore

** Pièces détachées Moteur : voir listes moteur - Motor-Ersatzteile: gem. Motorlisten

66SVN 2 Pole (66SVN/D: motors IE3 fitted)

ELP 2 P, 3 ~		66SV1/1AN	66SV1N	66SV2/2AN	66SV2/1AN	66SV2N	66SV3/2AN	66SV3/1AN	66SV3N	66SV4/2AN	66SV4/1AN
N - Version											
T(IE2) ~>		101574014	101574024	101574034	101574044	101574054	101574064	101574074	101574084	101574094	101574104
T(IE3) ~>		101684014	101684024	101684034	101684044	101684054	101684064	101684074	101684084	101684094	101684104
		66SV4N	66SV5/2AN	66SV5/1AN	66SV5N	66SV6/2AN	66SV6/1AN	66SV6N	66SV7/2AN	66SV7/1AN	66SV7N
T(IE2) ~>		101574114	101574124	101574134	101574144	101574154	101574164	101574174	101574184	101574194	101574204
T(IE3) ~>		101684114	101684124	101684134	101684144	101684154	101684164	101684174	101684184	101684194	101684204
		66SV8/2AN	66SV8/1AN	66SV8N							
T(IE2) ~>		101574214	101574224	101574234							
T(IE3) ~>		101684214	101684224	101684234							
Motor power		4.0	5.5	7.5	11.0	11.0	15.0	15.0	18.5	18.5	22.0
kW >		22.0	30.0	30.0	30.0	30.0	30.0	37.0	37.0	37.0	45.0
		45.0	45.0	45.0							

Single Unit and Kit

10	Stages >	1	2	3	4	5	6	7	8
10	Sleeve PN25	166442080	166442090	166442100	166442110	166442120	166442130	166442140	166442150
	Sleeve PN40	156408750	156408760	156408770	156408780	156408790	156408800	156408810	156408820
11	Shaft	165045780	165045790	165045800	165045810	165045820	165045830	165045840	165045850
31	Tie rods kit SVN	KL22ABC	KL22ABD	KL22ABE	KL22ABF	KL22AAX	KL22ABG	KL22ABH	KL22ABK

Motor, Coupling, Motor Adaptor

**1	kW >	4.0	5.5	7.5	11.0	15.0	18.5	22.0	30.0	37.0	45.0
	Mot.2P,3~, IE2 >	50008VG00	50013VE00	50017VB00	50019VE00	50024VB00	50025VB00	50026VE00	107242100	107242200	107242300
	Mot.2P,3~, IE3 >	50A08VL00	50A13VE00	50A17VB00	50A19VE00	50A24VB00	50A25VB00	50A26VE00	107242600	107242700	107242800
2	Adaptor	161453620	161453640	161453640	161453660	161453660	161453660	161453660	161453680	161453680	161453700
23	Lifting bracket	-	161441050	161441050	161441060	161441060	161441060	161441060	161441070	161441070	161441070
26	Coupling	KL10AAB	KL10AAC	KL10AAC	KL10AAD	KL10AAD	KL10AAD	KL10AAE	KL10AAF	KL10AAF	KL10AAF
27	Coupling guard	KL33AAA	KL33AAB	KL33AAB	KL33AAC	KL33AAC	KL33AAC	KL33AAC	KL33AAC	KL33AAC	KL33AAC

Wear parts, pump body

		->66SV2	->66SV3	->66SV6	->66SV8
drum (piston), impeller halt,		1 bearing	1 bearing	2 bearing	3 bearing
impeller locking		no drum	drum	drum	drum
*34	Wear Parts kit	KL35ABL	KL35ABY	KL35ABM	KL35ABP
14	Pump body	PN16	151302070	151302090	151302090
		PN25	-	151302120	151302120
28	Drum	EPDM	-	KL41AAC	KL41AAC
		FPM	-	KL41AAF	KL41AAF
		FEP - FPM	-	KL41AAU	KL41AAU
29	Impeller locking	KL41AAG	-	-	-

Mech seal D2 + OR

*20	Materials ->	Q1BEGG	KL01AC0
		Q1Q1EGG	KL01AC1
		Q1BVGG	KL01AC2
		Q1Q1VGG	KL01AC3
		Q1CTGG	KL01AC5
		Q1Q1TGG	KL01AC6

Common, Single Unit and Kit

4	Plugs	EPDM	KL34AAF
		FPM	KL34AAG
		FEP -FPM	KL34AAH
5	Seal housing plate		160102850
6	Upper head		161440040
7	Spring		169100210
*8	Reduced impeller A		150702840
*9	Full impeller		150702760
15	Diffuser carbon bush		152801820
16	Last stage diffuser		152801750
*21	OR	EPDM	KL02AAC
		FPM	KL02AAF
		FEP-FPM	KL02AA9
30	Bush seal		KL41AAH
32	Support tungsten bush SVN		KL16AAG
*33	Diffuser tungsten bush	KL05AC8	From 66SV4, included

* Pièces détachées conseillées - Empfohlene Ersatzteile

** Motor spare parts: see motor lists - Parti di ricambio motore: vedi liste motore

** Pièces détachées Moteur : voir listes moteur - Motor-Ersatzteile: gem. Motorlisten

3392SV_N_5_June11_Ede

66SVN 4 Pole (66SVN/D: motors IE3 fitted)

ELP 4 P, 3 ~								
N - Version	66SV1N4	66SV2N4	66SV3N4	66SV4N4	66SV5N4	66SV6N4	66SV7N4	66SV8N4
T(IE2) ->	101574524	101574554	101574584	101574614	101574644	101574674	101574704	101574734
T(IE3) ->	101684524	101684554	101684584	101684614	101684644	101684674	101684704	101684734
Mot. power, kW ->	1,1	1,5	2,2	3,0	4,0	4,0	5,5	5,5

Single Unit and Kit

10	Stages >	1	2	3	4	5	6	7	8
10	Sleeve PN 25 ->	166442080	166442090	166442100	166442110	166442120	166442130	166442140	166442150
	Sleeve PN 40 ->	156408750	156408760	156408770	156408780	156408790	156408800	156408810	156408820
11	Shaft	165045780	165045790	165045800	165045810	165045820	165045830	165045840	165045850
31	Tie rods kit SVN	KL22ABC	KL22ABD	KL22ABE	KL22ABF	KL22AAX	KL22ABG	KL22ABH	KL22ABK

Motor, Coupling, Motor Adaptor

**1	kW >	1,1	1,5	2,2	3,0	4,0	5,5
	Mot.4P, 3~, IE3 ->	50005RD00	50006RD00	50010RD00	50011RD00	50015VD00	50020VB00
	Mot.4P, 3~, IE3 ->	50A05RD00	50A06RD00	50A10RD00	50A11RD00	50A15VD00	50A20VB00
2	Adaptor	161453600	161453600	161453620	161453620	161453620	161453640
23	Lifting bracket	-	-	-	-	-	161441050
26	Coupling	KL10AAA	KL10AAA	KL10AAB	KL10AAB	KL10AAB	KL10AAC
27	Coupling guard	KL33AAA	KL33AAA	KL33AAA	KL33AAA	KL33AAA	KL33AAB

Wear parts, pump body impeller stop, impeller locking

		->66SV3	->66SV6	->66SV8
		1 bearing no drum	2 bearing no drum	3 bearing no drum
*34	Wear parts kit	KL35ABL	KL35ABM	KL35ABP
14	Pump body PN16	151302070	151302070	151302070
29	Impeller locking	KL41AAG	KL41AAG	KL41AAG

Mech seal D2 + OR

*20	Materials ->	Q1BEGG	KL01AC0
		Q1Q1EGG	KL01AC1
		Q1BVGG	KL01AC2
		Q1Q1VGG	KL01AC3
		Q1CTGG	KL01AC5
		Q1Q1TGG	KL01AC6

Common, Single Unit and Kit

4	Plugs	EPDM	KL34AAF	
		FPM	KL34AAG	
		FEP	KL34AAH	
5	Seal housing plate		160102850	
6	Upper head		161440040	
7	Spring		169100210	
8	Reduced impeller A		150702840	
9	Full impeller		150702760	
15	Diffuser carbon bush		152801820	
16	Last stage diffuser		152801750	
*21	OR	EPDM	KL02AAC	
		FPM	KL02AAF	
		FEP	KL02AA9	
30	Bush seal		KL41AAH	
32	Support tungsten bush SVN		KL16AAG	
*33	Diffuser tungsten bush		KL05AC8	From 66SV4, included
	Diffuser box empty		152801970	66-92SV 2-4 pole

* Recommended spare parts - Parti di ricambio consigliate

* Pièces détachées conseillées - Empfohlene Ersatzteile

** Motor spare parts: see motor lists - Parti di ricambio motore: vedi liste motore

** Pièces détachées Moteur : voir listes moteur - Motor-Ersatzteile: gem. Motorlisten

92SVN 2 Pole (92SVN/D: motors IE3 fitted)

ELP 2 P, 3 ~		92SV1/1AN	92SV1N	92SV2/2AN	92SV2N	92SV3/2AN	92SV3N	92SV4/2AN	92SV4N	92SV5/2AN	92SV5N
N - Version	T(IE2) ~ >	101576014	101576024	101576034	101576044	101576054	101576064	101576074	101576084	101576094	101576104
	T(IE3) ~ >	101686014	101686024	101686034	101686044	101686054	101686064	101686074	101686084	101686094	101686104
T(IE2) ~ >		92SV6/2AN	92SV6N	92SV7/2AN							
	T(IE2) ~ >	101576114	101576124	101576134							
	T(IE3) ~ >	101686114	101686124	101686134							
Motor power	kW >	5.5	7.5	11.0	15.0	18.5	22.0	30.0	30.0	37.0	37.0
		45.0	45.0	45.0							

Single Unit and Kit

10	Stages >	1	2	3	4	5	6	7
10	Sleeve, PN25	166442080	166442090	166442100	166442110	166442120	166442130	166442140
	Sleeve, PN40	156408750	156408760	156408770	156408780	156408790	156408800	156408810
11	Shaft	165045780	165045790	165045800	165045810	165045820	165045830	165045840
31	Tie rods kit SVN	KL22ABC	KL22ABD	KL22ABE	KL22ABF	KL22AAX	KL22ABG	KL22ABH

Motor, Coupling, Motor Adaptor

**1	kW ->	5.5	7.5	11.0	15.0	18.5	22.0	30.0	37.0	45.0
	Mot.2P,3~, IE2 >	50013VE00	50017VB00	50019VE00	50024VB00	50025VB00	50026VE00	107242100	107242200	107242300
	Mot.2P,3~, IE3 >	50A13VE00	50A17VB00	50A19VE00	50A24VB00	50A25VB00	50A26VE00	107242600	107242700	107242800
2	Adaptor	161453640	161453640	161453660	161453660	161453660	161453660	161453680	161453680	161453700
23	Lifting bracket	161441050	161441050	161441060	161441060	161441060	161441060	161441070	161441070	161441070
26	Coupling	KL10AAC	KL10AAC	KL10AAD	KL10AAD	KL10AAD	KL10AAE	KL10AAF	KL10AAF	KL10AAF
27	Coupling guard	KL33AAB	KL33AAB	KL33AAC	KL33AAC	KL33AAC	KL33AAC	KL33AAC	KL33AAC	KL33AAC

Wear parts, pump body

		->92SV2	->92SV3	->92SV4	->92SV7
	drum, impeller stop, impeller locking	1 bearing no drum	1 bearing drum	2 bearing drum	3 bearing drum
*34	Wear parts Kit	KL35ABR	KL35ABZ	KL35ABT	KL35ABV
14	Pump body	PN16	151302070	151302090	-
		PN25	-	-	151302120
28	Drum	EPDM	-	KL41AAC	KL41AAC
		FPM	-	KL41AAF	KL41AAF
		FEP	-	KL41AAU	KL41AAU
29	Impeller locking	KL41AAG	-	-	-

Mech seal D2 + OR

*20	Materials ->	Q1BEGG	KL01AC0
		Q1Q1EGG	KL01AC1
		Q1BVGG	KL01AC2
		Q1Q1VGG	KL01AC3
		Q1CTGG	KL01AC5
		Q1Q1TGG	KL01AC6

Common, Single Unit and Kit

4	Plugs	EPDM	KL34AAF
		FPM	KL34AAG
		FEP	KL34AAH
5	Seal housing plate	160102850	
6	Upper head	161440040	
7	Spring	169100210	
*8	Reduced impeller A	150702850	
*9	Full impeller	150702770	
15	Diffuser carbon bush	152801830	
16	Last stage diffuser	152801750	
*21	OR	EPDM	KL02AAC
		FPM	KL02AAF
		FEP	KL02AA9
30	Bush seal	KL41AAH	
32	Support tungsten bush SVN	KL16AAH	
*33	Diffuser tungsten bush	KL05AC9	From 92SV4, included

* Recommended spare parts - Parti di ricambio consigliate

* Pièces détachées conseillées - Empfohlene Ersatzteile

** Motor spare parts: see motor lists - Parti di ricambio motore: vedi liste motore

** Pièces détachées Moteur : voir listes moteur - Motor-Ersatzteile: gem. Motorlisten

3392SV_N_5_June11_EdE

92SVN 4 Pole (92SVN/D: motors IE3 fitted)

ELP 4 P, 3 ~								
N - Version	92SV1N4	92SV2N4	92SV3N4	92SV4N4	92SV5N4	92SV6N4	92SV7N4	92SV8N4
T(IE2) ~>	101576524	101576554	101576584	101576614	101576644	101576674	101576704	101576734
T(IE3) ~>	101686524	101686554	101686584	101686614	101686644	101686674	101686704	101686734
Mot. power, kW >	1,1	2,2	3,0	4,0	5,5	5,5	7,5	7,5

Single Unit and Kit

10	Stages >	1	2	3	4	5	6	7	8
10	Sleeve, PN25	166442080	166442090	166442100	166442110	166442120	166442130	166442140	166442150
	Sleeve, PN40	156408750	156408760	156408770	156408780	156408790	156408800	156408810	156408820
11	Shaft	165045780	165045790	165045800	165045810	165045820	165045830	165045840	165045850
31	Tie rods kit SVN	KL22ABC	KL22ABD	KL22ABE	KL22ABF	KL22AAX	KL22ABG	KL22ABH	KL22ABK

Motor, Coupling, Motor Adaptor

**1	kW ->	1,1	2,2	3,0	4,0	5,5	7,5
	Mot.4P,3~, IE2->	50005RD00	50010RD00	50011RD00	50015VD00	50020VB00	50021VB00
	Mot.4P,3~, IE3->	50A05RD00	50A10RD00	50A11RD00	50A15VD00	50A20VB00	50A21VB00
2	Adaptor	161453600	161453620	161453620	161453620	161453640	161453640
23	Lifting bracket	-	-	-	-	161441050	161441050
26	Coupling	KL10AAA	KL10AAB	KL10AAB	KL10AAB	KL10AAC	KL10AAC
27	Coupling guard	KL33AAA	KL33AAA	KL33AAA	KL33AAA	KL33AAB	KL33AAB

Wear parts, pump body impeller stop, impeller locking

		-> 92SV3	-> 92SV6	-> 92SV8
		1 bearing no drum	2 bearing no drum	3 bearing no drum
*34	Wear parts Kit	KL35ABR	KL35ABS	KL35ABU
14	Pump body PN16	151302070	151302070	151302070
29	Impeller locking	KL41AAG	KL41AAG	KL41AAG

Mech seal D2 + OR

*20	Materials ->	Q1BEGG	KL01AC0
		Q1Q1EGG	KL01AC1
		Q1BVGG	KL01AC2
		Q1Q1VGG	KL01AC3
		Q1CTGG	KL01AC5
		Q1Q1TGG	KL01AC6

Common, Single Unit and Kit

4	Plugs	EPDM	KL34AAF
		FPM	KL34AAG
		FEP	KL34AAH
5	Seal housing plate		160102850
6	Upper head		161440040
7	Spring		169100210
8	Reduced impeller A		150702850
9	Full impeller		150702770
15	Diffuser carbon bush		152801830
16	Last stage diffuser		152801750
*21	OR	EPDM	KL02AAC
		FPM	KL02AAF
		FEP	KL02AA9
30	Bush seal		KL41AAH
32	Support tungsten bush SVN		KL16AAH
*33	Diffuser tungsten bush	KL05AC9	From 92SV4, incl.
	Diffuser box empty	152801970	66-92SV 2-4 pole

* Recommended spare parts - Parti di ricambio consigliate

* Pièces détachées conseillées - Empfohlene Ersatzteile

** Motor spare parts: see motor lists - Parti di ricambio motore: vedi liste motore

** Pièces détachées Moteur : voir listes moteur - Motor-Ersatzteile: gem. Motorlisten

3392SV_N_5_June11_EdE