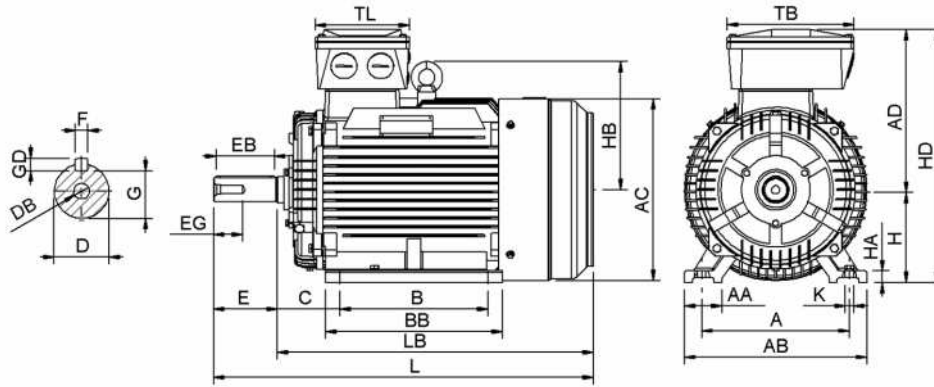


Data Sheet

Itemnumber....: 5541800100



A = 279	AC = 354	BB = 311	DB = M16	EG = 40	GD = 9	HB = 237	L = 686	TB = 218
AA = 70	AD = 292	C = 121	E = 110	F = 14	H = 180	HD = 472	LB = 576	TL = 162
AB = 349	B = 241	D = 48	EB = 100	G = 42,50	HA = 22	K = 4	LE = 656	

<p>Version Type.....: HMC3 180M-4 Design.....: Induction motor Standard series.....: IEC 60034 Phase / Voltage range.....: 3~ / Low</p> <p>Electrical design Efficiency.....: IE3 Pole.....: 4 Power at 50 Hz (kW).....: 18,5 Hz.....: 50 Voltage.....: 400VD/690VY Winding voltage.....: 400VD/690VY 50 Hz Power output (kW).....: 18,5 Duty.....: S1 Insulation class.....: F Temperature rise.....: B</p> <p>Motor protection Thermal protection main....: PTC 3x 155 dgr Thermal protection second.: None Space heater.....: None Temperature detector.....: No SPM.....: No IR wire.....: No Tropical insulation.....: No</p> <p>Explosion protection According to.....: None Type of protection.....: None</p> <p>General Direction of rotation.....: CW Painting.....: RAL 9005 Gloss 10 Nameplate.....: Multivoltage Special packing.....: No Special requirements.....: No</p>	<p>Mechanical design Frame size.....: 180 Mounting.....: B3 Rain cap.....: No Protection class.....: IP55 Cooling method.....: IC411/TEFC External grounding.....: Yes Drain hole.....: Yes Frame material.....: Cast Iron Material approval.....: None Shaft.....: IEC standard Key.....: Closed key Balancing.....: Half key balancing Vibration class.....: Grade-A Weight (kg).....: 182</p> <p>Environment condition Ambient temp. min. (°C)..: -20 Ambient temp. max. (°C)..: 40 Altitude (mtr up to).....: 1000</p>	<p>Bearing DE Bearing.....: 6311-ZZ/C3 NDE Bearing.....: 6311-ZZ/C3 Fixed bearing.....: DE</p> <p>Terminal box Tbox position.....: Top Cable entry direction.....: Right (from DE) Cable entry Main.....: 2 x M40x1,5 Metal blindcaps Accessory.....: 2 x M20x1,5 Metal blindcaps Connection type.....: Delta (D) Terminal board thread.....: 6-M6</p> <p>Test values Rotor inertia (kgm²).....: 0,19 Noise level (dB(A)).....: 73 No load current (A).....: 12,2 Winding resist. (ohm).....: 0,47 Starting time (sec.).....: 0,09 Temp. rise winding (K).....: 55 Temp. rise surface (K).....: 37</p>
--	---	--

Rated power (kW)	18,5	18,0	22,2	21,6
Frequency (Hz)	50	50	60	60
Voltage (V)	400 690	380 660	480 830	440
Connection	D Y	D Y	D Y	D
Full load current (A)	33,5 19,2	34,5 19,8	33,5 19,2	34,5
Speed (rpm)	1470	1470	1760	1760
Power factor cos(phi)	0,88	0,89	0,88	0,89
Efficiency, 100/75/50 (%)	92,7/93,3/91,9	92,7/93,3/91,9	92,7/93,3/91,9	92,2/92,9/91,3
Ist/In	8,2	7,2	8,2	7,5
Full load torque (Nm)	120	116	120	116
Tst/Tn	2,7	2,5	2,7	2,3
Tmax /Tn	3,5	3,2	3,5	3
Duty	S1	S1	S1	S1
Ambient temp. (°C)	40	45	40	45