

3/2 and 5/2-way spool valves, monostable, with air purging function and pneumatic spring return. With latching manual operator and optional outgoing air restriction.

Medium:	Air, neutral gases, filtered
Operating temperature:	-20 °C to +70 °C
Working pressure:	1.5 to 10.0 bar
Power input:	3 W=5 VA~
Housing:	Anodised aluminium
Spool:	Stainless steel
Sealant:	NBR
Electrical connection:	Plug connector PG 9
Included with the product:	Plug connector PG 9, 1 coding pin, 2 O-rings, 2 fixing screws
Protection:	IP 65 acc. to DIN 40050
Switching time at 6 bar ON/OFF:	13/16 ms



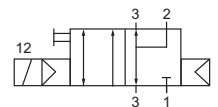
551.12



551.32

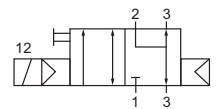
3/2-way spool valves with NAMUR style interface, NC

Art. No.	Ident No.	Voltage	Connection	DN	Flow rate l/min	Weight
551.11	103657	230 V, 50 Hz	G 1/4	7	1250	0.2 kg
551.12	103658	24 V DC	G 1/4	7	1250	0.2 kg



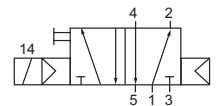
3/2-way spool valves with NAMUR style interface, NC, ports 1 and 3 or 2 and 3 swapped

Art. No.	Ident No.	Voltage	Connection	DN	Flow rate l/min	Weight
551.21	103659	230 V, 50 Hz	G 1/4	7	1250	0.2 kg
551.22	103660	24 V DC	G 1/4	7	1250	0.2 kg

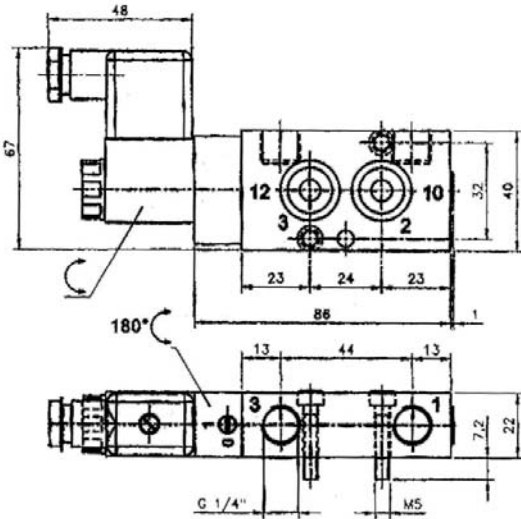


5/2-way spool valves with NAMUR style interface

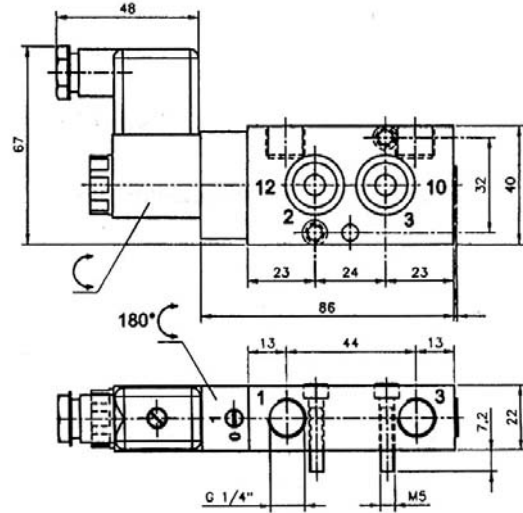
Art. No.	Ident No.	Voltage	Connection	DN	Flow rate l/min	Weight
551.31	103661	230 V, 50 Hz	G 1/4	7	1250	0.3 kg
551.32	103662	24 V DC	G 1/4	7	1250	0.3 kg



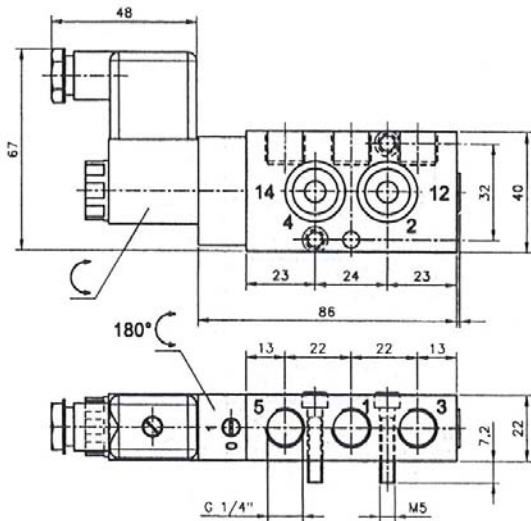
Dimension:



Art. No. 551.11 and 551.12



Art. No. 551.21 and 551.22



Art. No. 551.31 and 551.32