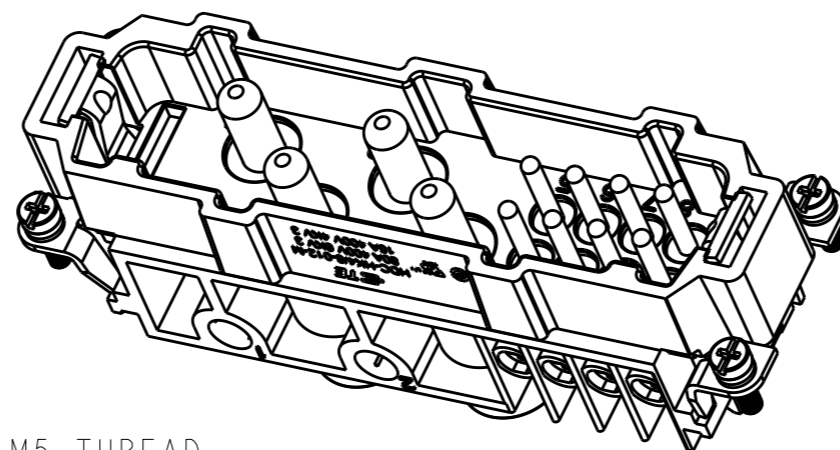
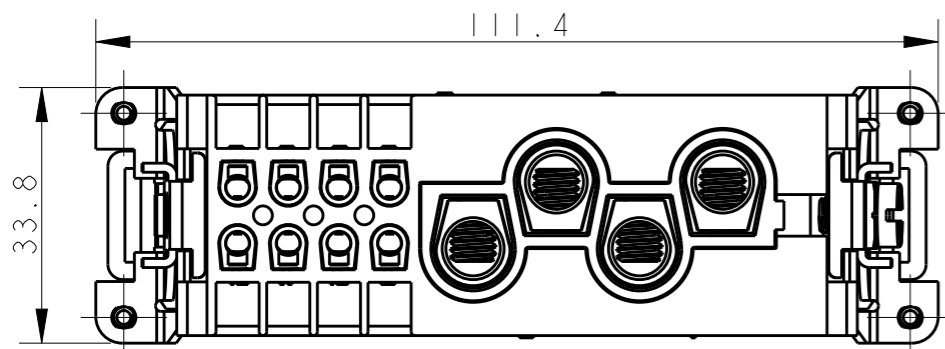


THIS DRAWING IS UNPUBLISHED. RELEASED FOR PUBLICATION 20
 © COPYRIGHT 20 BY - ALL RIGHTS RESERVED.

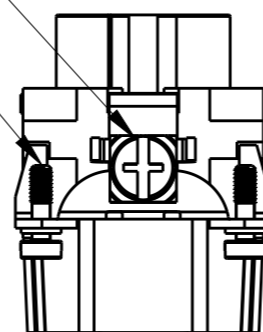
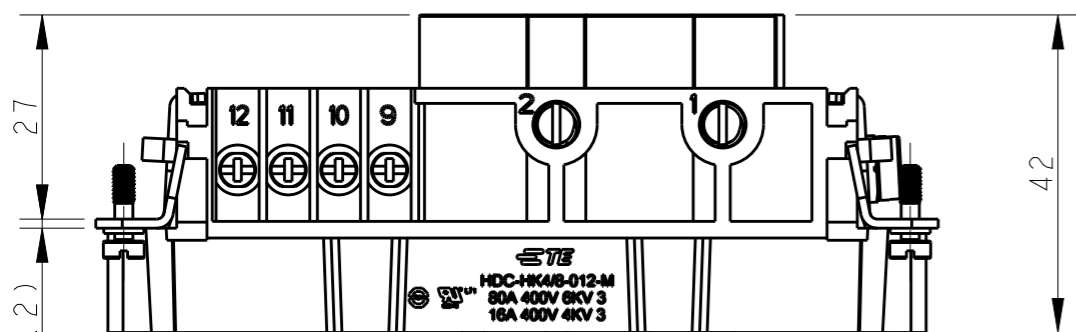
REVISIONS

P	LTR	DESCRIPTION	DATE	DWN	APVD
A		INITIAL RELEASE	14APR2015	DL	CW
B		ECR-15-018481	22FEB2016	DL	CW



M5 THREAD
 RECOMMENDED TIGHTENING TORQUE 2.0Nm

4 X M3 THREAD
 RECOMMENDED TIGHTENING TORQUE 0.5Nm

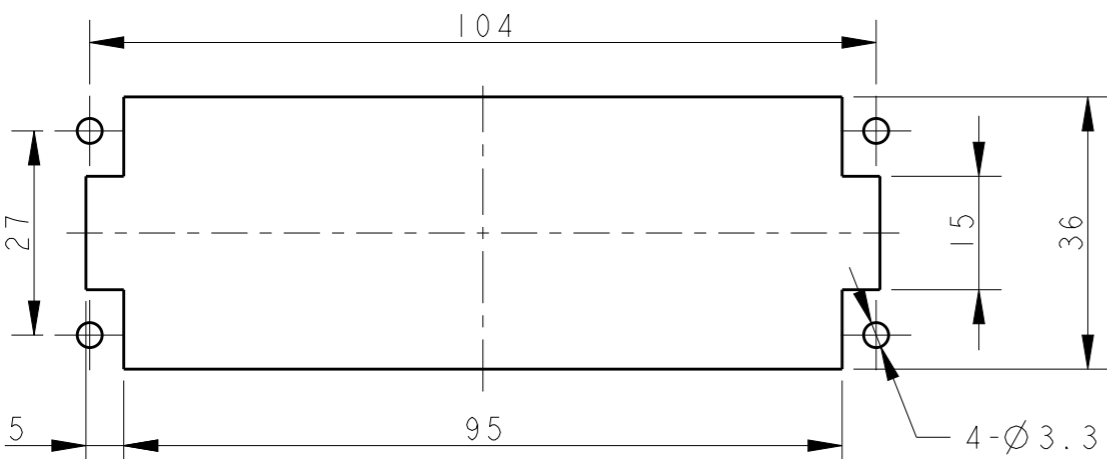
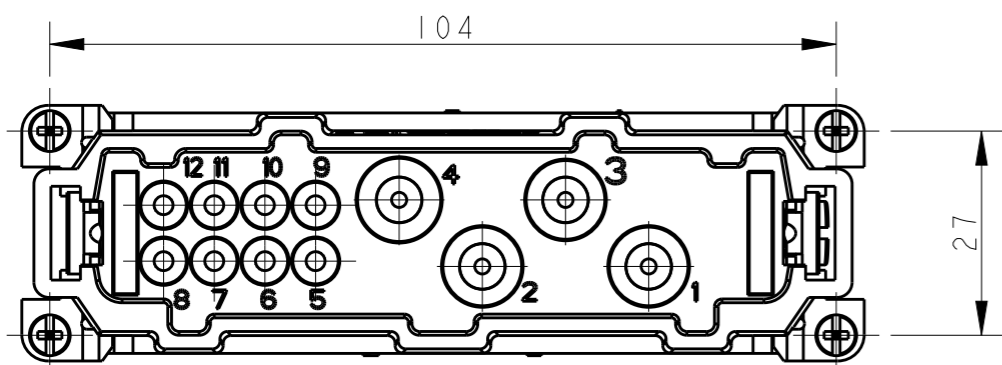


NOTES:

- TECHNICAL CHARACTERISTICS:
 INSULATION MATERIAL: PC
 RATED VOLTAGE: POWER: 400 V; SIGNAL: 400 V
 RATED CURRENT: POWER: 80 A; SIGNAL: 16 A
 INSULATION RESISTANCE: $\geq 400M\Omega$
 RATED IMPULSE VOLTAGE: POWER: 6 KV; SIGNAL: 4 KV
 POLLUTION DEGREE: 3
 FLAMMABILITY: UL94V-0
 MATING CYCLES: 500
 OPERATION TEMPERATURE: $-40-+125^{\circ}C$
 WIRE RANGE: POWER: 1.5-16 mm² (16-5 AWG)
 SIGNAL: 0.5-2.5 mm² (20-14 AWG)
 CONTACT FINISH: SILVER PLATED
 CONTACT TYPE: SCREW CONTACT

注释:

- 技术参数:
 绝缘材料: PC
 额定电压: 电源: 400V; 信号: 400V
 额定电流: 电源: 80A; 信号: 16A
 绝缘电阻: $\geq 400M\Omega$
 额定脉冲电压: 电源: 6 KV; 信号: 4 KV
 污染等级: 3
 阻燃等级: UL94V-0
 插拔次数: 500次
 工作温度: $-40-+125^{\circ}C$
 接线范围: 电源: 1.5-16 mm² (16-5 AWG)
 信号: 0.5-2.5 mm² (20-14 AWG)
 端子表面处理: 镀银
 接线类型: 螺丝压接



PANEL CUT OUT FOR INSERTS FOR USING WITHOUT HOODS/HOUSINGS

THIS DRAWING IS A CONTROLLED DOCUMENT.

DIMENSIONS:	TOLERANCES UNLESS OTHERWISE SPECIFIED:
mm	
	0 PLC ±-
	1 PLC ±-
	2 PLC ±-
	3 PLC ±-
	4 PLC ±-
	ANGLES ±-
MATERIAL	FINISH
-	-
-	-

DWN	DAVID LI	14APR2015
CHK	CHRIS WANG	14APR2015
APVD	XU XIANG	14APR2015
PRODUCT SPEC	108-137129	
APPLICATION SPEC	108-137129	
WEIGHT	-	
CUSTOMER DRAWING		

T2100122101-000	HK4/8-012-M HK4/8-012 公插
PART NUMBER 料号	PART DESCRIPTION 描述

		TE Connectivity	
		NAME HK4/8-012-M	
SIZE A3	CAGE CODE -	DRAWING NO T2100122101000	RESTRICTED TO -
SCALE 1:1		SHEET 1	OF 1
REV B			