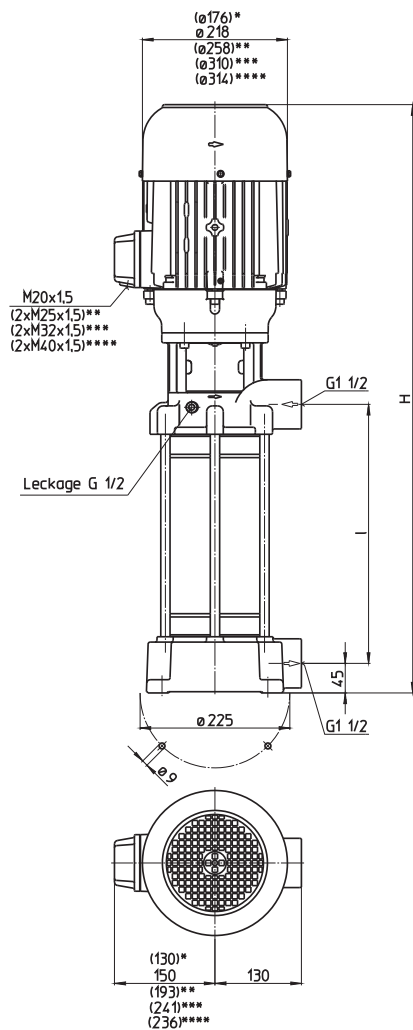


## FH14

50 Hz

Closed impellers

### FH1402...1417



- \*) Dimensions for FH1402...1403
- \*\*) Dimensions for FH1408...1411
- \*\*\*) Dimensions for FH1412...1416
- \*\*\*\*) Dimensions for FH1417

Type	Vol. del. at manom. del. head l/min /m	Height H mm	Length l mm	Weight kg	Power kW	Voltage 3 ~ V	Fre- quen- cy Hz	Current A	Speed 1/min
<b>FH1402A18</b>	250/21	669	212	42	1.7	220-240	50	6.24	2890
						380-415	50	3.60	2890
<b>FH1403A28</b>	250/38	798	308	49	2.6	220-240	50	9.30	2880
						380-415	50	5.35	2880
<b>FH1404A28</b>	250/48	837	308	61	3.3	220-240	50	11.6	2930
						380-415	50	6.7	2930
<b>FH1405A38</b>	250/60	933	404	63	4.0	220-240	50	14.50	2920
						380-415	50	8.35	2920
<b>FH1406A38</b>	250/74	963	404	69	5.0	220-240	50	17.3	2920
						380-415	50	10.0	2920
<b>FH1407A47</b>	250/85	1058	500	72	5.5	220-240	50	18.9	2915
						380-415	50	10.9	2915
<b>FH1408A47</b>	250/98	1136	500	103	7.5	380-415	50	14.3	2950
<b>FH1409A57</b>	250/110	1232	596	105					
<b>FH1410A57</b>	250/120	1232	596	112	9.0	380-415	50	16.7	2955
<b>FH1411A66</b>	250/134	1328	692	128					
<b>FH1412A66</b>	250/144	1336	692	137	11.0	380-415	50	20.1	2960
<b>FH1413A76</b>	250/159	1432	788	140					
<b>FH1414A76</b>	250/170	1432	788	144	13.0	380-415	50	24.2	2960
<b>FH1415A90</b>	250/180	1576	932	147					
<b>FH1416A90</b>	250/190			148					
<b>FH1417A90</b>	250/200	1881	932	167	15.0	400	50	27	2960

## Pressure Boosting Pumps

series TH and FH use **closed impellers** in order to minimize power consumption and to optimize hydraulic pump efficiencies.

In addition, the TH series offers high pressures at short immersion depths. Inline pumps of the series FH can be used as **boosting pumps** if provided with positive inlet pressure. This inlet pressure can be provided by the central coolant supply or a feed pump. In such a setup, pumps of the series FH can raise the incoming pressure by up to 26 bar.

For alternating machining using **internally** and **externally cooled tools**, these models are available with Y/YY-configured **pole-changing motor** (Dahlander) for optional changeover to **half speed** operation.

A **frequency converter** can be supplied for **special applications** or for matching the pump characteristic to a specific duty point.

See page "Control/Regulation" in the Technical Information section of this catalog for further information.

## Applications

Types of fluid  
 Industry water  
 coolants  
 cooling/cutting oils  
 Kinematic viscosity  
 ...25 mm<sup>2</sup>/s (25 cSt)  
 Pumping temperature  
 0...80° C

## Construction

Pump body	cast iron
Cover	cast iron
Impellers	CrNi-steel
Shaft	CrNi-steel
Diffusers	CrNi-steel
Mechanical seal	SiC
O-rings	Viton

Optional:  
 Pole-changing motor 4 - 2 poles

Noise level	
FH1402...FH1403	63 dBA
FH1404...FH1407	71 dBA
FH1408...FH1416	74 dBA
FH1417	78 dBA

