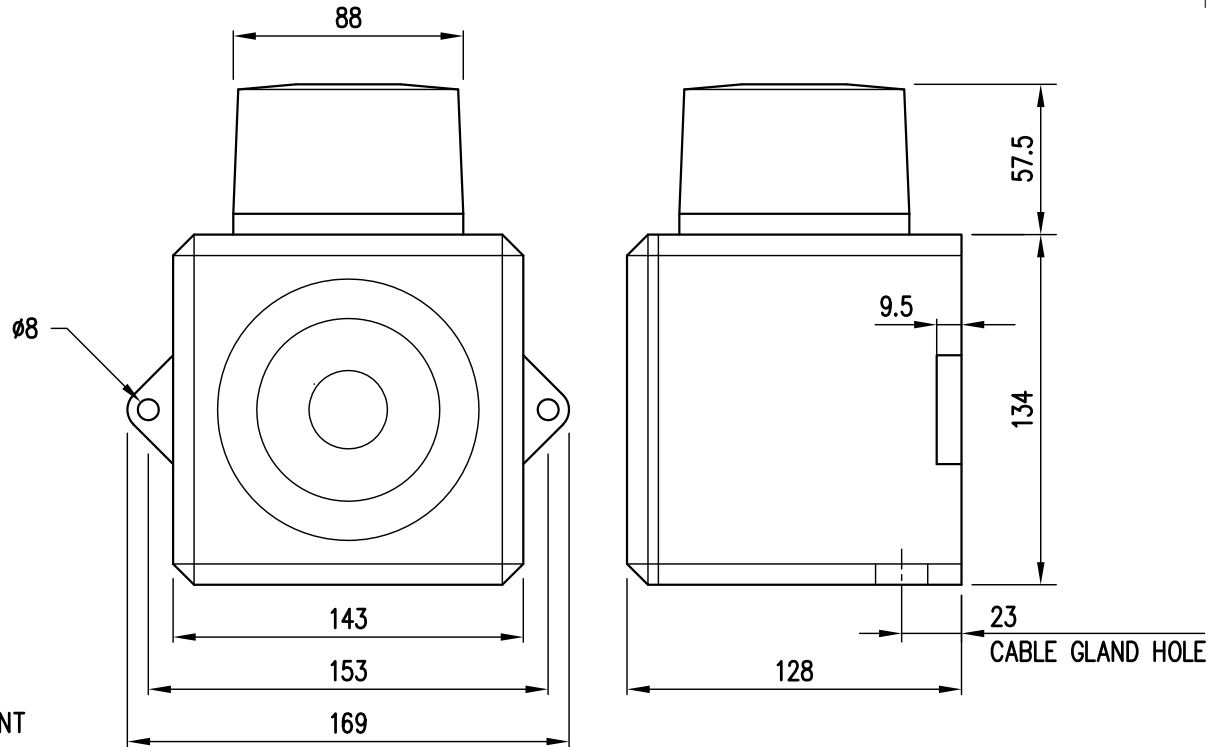


The right to make engineering refinements on all products is reserved. Dimensions and details are subject to change without prior notice. When dimensions are critical, the dimensions should be confirmed by Wilhelmsen Technical Solutions.



MATERIAL : HOUSING: PLASTIC, FLAME RETARDENT
COLOUR : ORANGE
SOUND LEVEL : AT 1 M: 110 dB(A)
AUDIO FREQUENCY : YODEL: 800 – 1000 Hz
YODEL REPETITION RATE : 2 Hz
FLASH RATE : 1 Hz
FLASH ENERGY : 5 JOULE
LIGHT OUTPUT : 14 CANDELA SECONDS
MOUNTING : SCREW CLAMPS
CABLE ENTRY : M20 CABLE MOUNTING HOLE, GLAND NOT INCLUDED
TEMPERATURE : OPERATING: -25°C TO +55°C
 STORAGE: -40°C TO +70°C
INGRESS PROTECTION : IP 65

VOLTAGE	CURRENT CONSUMPTION mA (AVERAGE)	WEIGHT KG	EDP NO.
24 V DC	284	1.01	RED: 569681
110 V AC	265	1.09	RED: 569715
220 V AC	257	1.09	RED: 569749

Product no. SEE TABLE	03	Drawn by/date AWA 01.04.14 Issued by/date KWA 01.04.14 Approved by/date CZB 01.04.14	ORIGINAL Drawn by/date JYU 04.04.06 Issued by/date DMO 04.04.06 Approved by/date DAA 04.04.06	System UNITOR FIXED LOCAL APPLICATION FIRE FIGHTING SYSTEM	Component YODALIGHT TYPE YL50 MED	DATA SHEET Data sheet no. 55-12-002
---------------------------------	----	--------------------------------------------------------------------------------------------------------------------------	--------------------------------------------------------------------------------------------------------------------------------------	--------------------------------------------------------------------------	-------------------------------------------------	---------------------------------------------------------

