

# TM-5 Lubricator

## Automatic Cyclic, HAAS (part #34819)

### Operation

Lubricator is a motor-driven piston pump spring discharge type. Pump cycle is controller by an integral gear reduction in the motor. Lubricator can be actuated manually by raising and releasing the instant feed button.

### Technical Data

Reservoir Capacity	3 liter
Inlet Filter	40 micron
Maximum Discharge Pressure	65 psi
Factory Discharge Setting	3.2cc
Viscosity Range	150 to 8,000 SSU @ operating temperature
Cycle Time	27 minutes

### Notes Regarding Use

1. Lubricator inlet filter should be inspected periodically and replaced once a year.
2. Discharge pressure will decrease as discharge volume decreases, the number of type F meter units in the system increases or oil viscosity decreases.

### Motor

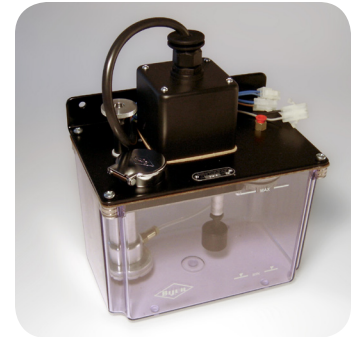
Continuous duty, single phase, synchronous induction timing motor for 50/60 Hz for 115VAC. Power consumption is 2 watts/2.5 VA @ 60 Hz (2.5 watts/3.5 VA @ 50Hz)

### Liquid Level Switch

Lubricator is equipped with a liquid level switch, normally open. They are supplied so the switch will close an electrical circuit whenever the oil in the reservoir is above the minimum operating level. Thus, when connected to a light or other indicating device, the liquid level can be monitored.

Customers may reverse the operation when desired by inverting the float. When the float is reversed, the switch will close an electrical circuit whenever the oil level is below the minimum operating level.

Note: Switch contact rating is 10 watts maximum (light or indicating device not supplied by Bijur Delimon).



34819 Lubricator

#### **ATTENTION**

*Do not allow dirt or contamination to enter the reservoir when filling with oil.*

**BIJUR DELIMON INTERNATIONAL**

(919) 465 4448 LOCAL  
(800) 631 0168 TOLL-FREE  
(919) 465 0516 FAX

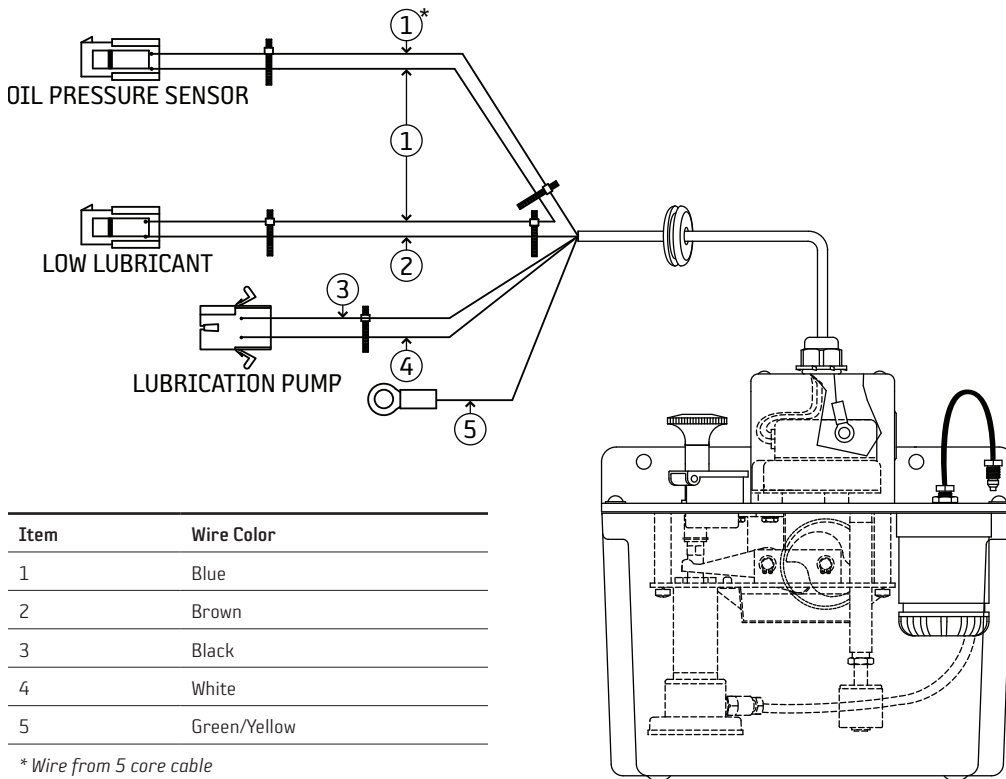
[WWW.BIJURDELIMON.COM](http://WWW.BIJURDELIMON.COM)

2100 Gateway Centre Blvd., Suite 109  
Morrisville, NC 27560

### Wiring

This TM-5 Lubricator is supplied with three wire connectors:

- + Oil pressure sensor
- + Low lubricant
- + Lubrication pump



Item	Wire Color
1	Blue
2	Brown
3	Black
4	White
5	Green/Yellow

\* Wire from 5 core cable

BIJUR DELIMON INTERNATIONAL

(919) 465 4448 LOCAL  
(800) 631 0168 TOLL-FREE  
(919) 465 0516 FAX

[WWW.BIJURDELIMON.COM](http://WWW.BIJURDELIMON.COM)

2100 Gateway Centre Blvd., Suite 109  
Morrisville, NC 27560

**35667 • R1 01/12**

## How To Order

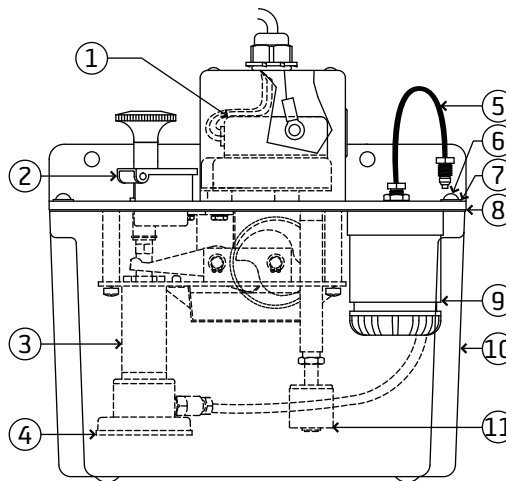
Name	Description	Part #
TM-5 Lubricator	HAAS	34819*

When ordering, specify by name, description and part number, e.g. TM-5 Lubricator, HAAS, Part #34819.

## Service Parts

Item	Description	Part #
1	Motor	20721-2
2	Oil fill cap	32114
3	Piston/pump service group	S295
4	Filter group	S109
5	TBG assembly	27488
6	Screw (4)	22081-27
7	Washer (4)	22080-3
8	Reservoir gasket	30495
9	Filter	19850 <sup>1</sup>
10	Reservoir	30248
11	Low level switch	B9640
12	Service Kit*	35726

<sup>1</sup> Replacement filter element part #B6527



### ATTENTION

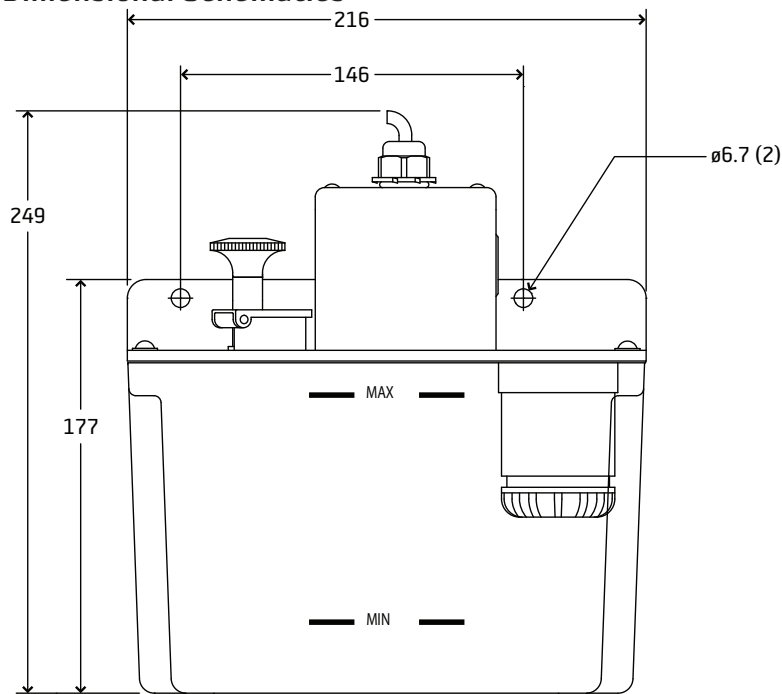
\* HAAS part #36-3090E

#### \*35726 Service Kit Includes:

- + S109 Filter Kit
- + B6527 Filter Element
- + 23372 Internal Tube Assembly
- + 30495 Reservoir Gasket

Measurements shown in millimeters.

## Dimensional Schematics



### BIJUR DELIMON INTERNATIONAL

(919) 465 4448 LOCAL  
 (800) 631 0168 TOLL-FREE  
 (919) 465 0516 FAX

[WWW.BIJURDELIMON.COM](http://WWW.BIJURDELIMON.COM)

2100 Gateway Centre Blvd., Suite 109  
 Morrisville, NC 27560