



**Brüel & Kjær Vibro**

A member of the NSK Group

# B&K vibro

Instruction

## VIBROCONTROL 1100

C01 / C02 / C11 / C12

**RO** **Atenție!**

Înainte de utilizarea produsului trebuie să citiți și să înțelegeți prezentul manual de operare. La nevoie puteți comanda manualul de operare într-una din limbile recunoscute oficial în U.E. la următoarea adresă: [www.bkvibro.com](http://www.bkvibro.com)

**LT** **Dėmesio!**

Prieš pradėdami naudoti produktą, atidžiai perskaitykite instrukciją. Esant reikalui, reikalaukite instrukcijos trūkstanta ES kalba tokiu adresu: [www.bkvibro.com](http://www.bkvibro.com)

**ES** **Nota importante!**

Antes de utilizar este product debe leer y comprender el manual. Si necesita el manual en otro idioma de la Unión Europea, puede pedirlo en la siguiente dirección: [www.bkvibro.com](http://www.bkvibro.com)

**IT** **Nota!**

Il manuale deve essere letto e compreso prima della messa in servizio del prodotto. Se necessario, il manuale mancante nella lingua Europea desiderata, è ordinabile al seguente indirizzo: [www.bkvibro.com](http://www.bkvibro.com)

**NL** **Attentie!**

Voor ingebruikname van het produkt dient de gebruiksaanwijzing gelezen en begrepen te zijn. Bij behoefte aan een gebruiksaanwijzing in een ontbrekende EU-taal is deze op onderstaand adres aan te vragen: [www.bkvibro.com](http://www.bkvibro.com)

**DA** **Henvisning!**

Før produktets ibrugtagning skal brugsanvisningen læses og forstås! Brugsanvisningen kan bestilles på et EU-sprog ved henvendelse til: [www.bkvibro.com](http://www.bkvibro.com)

**FI** **Huomio!**

Ennen käyttöönottoa tulee lukea ja ymmärtää käyttöohjeet. Kun tarvitset käyttöohjeita muilla EU-kielillä ota yhteys seuraavaan osoitteeseen: [www.bkvibro.com](http://www.bkvibro.com)

**EL** **Προσοχή!**

Προτού λειτουργήσετε την συσκευή, πρέπει να διαβάσετε και να καταλάβετε το εγχειρίδιο. Εάν χρειάζεσθε εγχειρίδιο σε κάποια άλλη Ευρωπαϊκή γλώσσα, αποτανθείται στην εξής διεύθυνση: [www.bkvibro.com](http://www.bkvibro.com)

**PL** **Uwaga!**

Przed rozpoczęciem użytkowania urządzenia uprzejmie prosimy o uważne zapoznanie się z instrukcją obsługi. Instrukcje obsługi dla naszych urządzeń dostępne są we wszystkich oficjalnych językach Unii Europejskiej. Brakujące egzemplarze można zamawiać pod wskazanym poniżej adresem: [www.bkvibro.com](http://www.bkvibro.com)

**CS** **Pozor!**

Před uvedením výrobku do provozu je nutné přečíst si návod k provozu a porozumět mu. V případě potřeby si návod k provozu v chybějící řeči EU vyžádejte na následující adrese: [www.bkvibro.com](http://www.bkvibro.com)

**SL** **Pozor!**

Pred zagonom proizvoda morate najprej prebrati in razumeti navodilo za uporabo. Po potrebi zahtevajte navodilo za uporabo v jeziku EU, ki vam manjka, na naslednjem naslovu: [www.bkvibro.com](http://www.bkvibro.com)

**LV** **Uzmanību!**

Pirms produkta ekspluatācijas uzsākšanas, rūpīgi izlasiet lietošanas instrukciju. Vajadzības gadījumā pieprasiet lietošanas instrukciju izstūkstojā ES valodā pa šādu adresi: [www.bkvibro.com](http://www.bkvibro.com)

**ET** **Tähelepanu!**

Enne toote kasutuselevõttu tuleb kasutusjuhend läbi lugeda ja sellest aru saada. Kui vajate kasutusjuhendit mõnes muus EL keeles, küsige seda järgmiselt aadressilt: [www.bkvibro.com](http://www.bkvibro.com)

**BG** **Внимание!**

Преди въвеждане в експлоатация на продукта ръководството му трябва да бъде прочетено и разбрано. При нужда от ръководство на липсващ EU език, Вие можете да го поръчате на следния адрес: [www.bkvibro.com](http://www.bkvibro.com)

**FR** **Attention!**

Avant utilisation du logiciel et de l'appareil, il convient impérativement d'avoir lu et compris ce manuel d'emploi. Si besoin, commander le manuel d'emploi dans la langue manquante à l'adresse suivante: [www.bkvibro.com](http://www.bkvibro.com)

**PT** **Atenção!**

Antes de usar o produto é necessário ler a documentação e entendê-la. Se for necessário é favor pedir a documentação na língua europeia que necessita dirigindo-se a está direção: [www.bkvibro.com](http://www.bkvibro.com)

**SV** **Observera!**

Före idrifttagning av produkten måste bruksanvisningen läsas och förstås. Om nödvändigt kan bruksanvisningen beställas i det saknade EU-språket under följande adress: [www.bkvibro.com](http://www.bkvibro.com)

**HU** **Figyelem!**

A termék üzembe helyezése előtt az üzemeltetési utasítást el kell olvasni, és meg kell érteni. Szükség esetén hiányzó EU nyelven az üzemeltetési utasítást, az alábbi címen lehet igényelni: [www.bkvibro.com](http://www.bkvibro.com)

**SK** **Upozornenie!**

Pred uvedením zariadenia do prevádzky si treba dôkladne prečítať prevádzkový návod a treba jeho obsah správne pochopiť. V prípade potreby si prevádzkový návod vyžiadajte v príslušnom jazyku EÚ na nasledovnej adrese: [www.bkvibro.com](http://www.bkvibro.com)

Copyright © 2022 Brüel & Kjær Vibro GmbH

All rights to this technical documentation remain reserved.

Any corporeal or incorporeal reproduction or dissemination of this technical documentation or making this document available to the public without prior written approval from Brüel & Kjær Vibro GmbH shall be prohibited. This also applies to parts of this technical documentation.

Instruction **VIBROCONTROL 1100**, C102844.002 / V18, en, date of issue: 15.06.2022

**Brüel & Kjær Vibro GmbH**  
Leydheckerstrasse. 10  
64293 Darmstadt  
Germany

Phone: +49 6151 428 0  
Fax: +49 6151 428 1000

**Hotline**

Phone: +49 6151 428 1400  
E-Mail: support@bkvibro.com

**Brüel & Kjær Vibro A/S**  
Lyngby Hovedgade 94, 5 sal  
2800 Lyngby  
Denmark

Phone: +45 69 89 03 00  
Fax: +45 69 89 03 01

**Homepage**

www.bkvibro.com

**BK Vibro America Inc**  
1100 Mark Circle  
Gardnerville NV 89410  
USA

Phone: +1 (775) 552 3110

**Corporate E-Mail**

info@bkvibro.com

# Contents

## VIBROCONTROL 1100 - C01 / C02 / C11 / C12

- 1 Overview
- 2 Technical Data
- 3 Connectors and Interfaces
- 4 Built-in Operating Panel and Display  
Error messages
- 5 List of Setup Parameters
- 6 Installation and Commissioning and Maintenance

## Instrument types - Overview

Instrument Type	Supply Voltage	Bearing Condition
VC 1100 C01	230 V AC 115 V AC	YES
VC 1100 C02	24 V DC	YES
VC 1100 C11	230 V AC 115 V AC	NO
VC 1100 C12	24 V DC	NO

The instrument types C01, C02, C11 and C12 listed in the table above are described in the VIBROCONTROL 1100 documentation.

Apart from the bearing condition, which is not applicable to the instrument types C11 and C12, the descriptions for all instruments are the same.

## Intended Use

If systems are used in a way not described in the relevant user manuals, function and protection may be impaired and serious personal damage, death or serious, irreversible injuries may result. Exclusively use systems as specified in the instructions. Any use other than specified is considered inappropriate.

Brüel & Kjær Vibro does not assume any liability for damages resulting from inappropriate use. The user is solely responsible.

## Safety instruction

### Staff requirements!

Transport, storage, installation, assembly, connection, commissioning, maintenance and service must be undertaken exclusively by qualified technicians. The following must strictly be observed:

- The instructions at [www.bkvibro.com](http://www.bkvibro.com)- Pictograms on the product
- Any product specific provisions and require
- All national and regional regulations for safety and accident prevention must be followed.



### **WARNING!**

In the event of impermissible opening of the product or removal of components, improper use, or incorrect installation or operation there is a risk of personal injury or damage to property.

**Electrical parts!**

Ensure that any electrical parts are disconnected before mounting the product. Otherwise there can be a risk of death or severe personal damage. Do not touch live electrical parts. Disconnect electrical parts before any connections are made. Before switching on the power supply, the systems must be properly closed again (e.g. housing covers, doors, cable glands, etc.).

**Hot surfaces!**

When mounted at external heat sources (e.g. machine parts), systems, sensors and cables can adopt dangerous temperatures, whereby burning, among other things, can occur in the event of contact.

**Important note!**

Maintain electrical equipment in regular intervals. Loose connections must be fixed immediately. Defective equipment must not be installed. No moisture in the form of water or other fluids may be introduced into the device!

**Important note!**

Sensor- und weiterführende Kabel (nur mit geeigneter Schirmung und geeignet für den relevanten Temperaturbereich) sollten mit mindestens 1 m Abstand zu Energie- und Steuerleitungen verlegt werden.

**Recommendation**

Handle the systems with care in order to prevent damage to the systems or personal damage due to falling.

**Important note:**

As external voltages are connected to the relay contacts; hazardous contact voltages may still be present there even after the supply voltage has been interrupted.

**Important note:**

In the event of incorrect connection of the terminals, dangerous voltages may be conducted onto the housing or the measurement inputs and outputs may be destroyed by the supply voltage.

**Important note:**

The power supply may only be connected via a separator (switch or circuit breaker). A switch used as a separator must fulfil requirements according to IEC 60947-1 and IEC 60947-3 and be suitable for this application.

**Recommendation:**

The assembly of the electrical equipment must not be undertaken in areas with permanent vibrations. Possibly a vibration-isolated installation must be implemented.





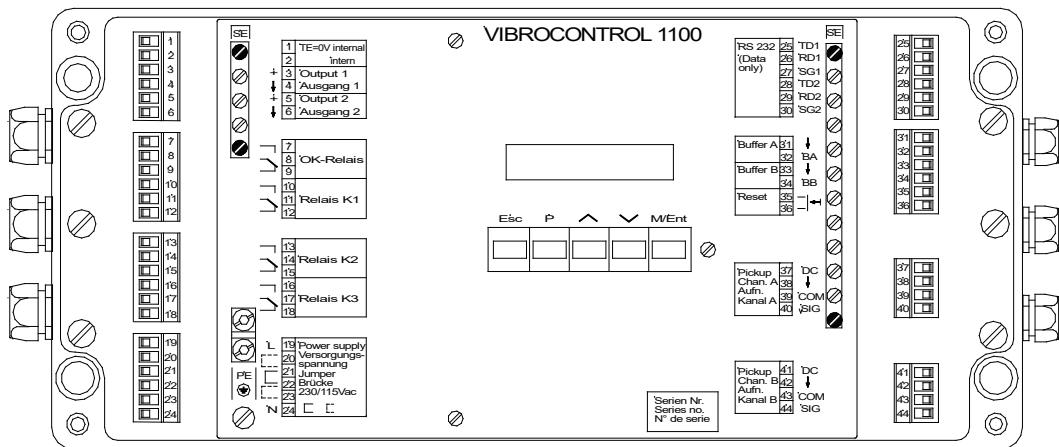
# 1 Overview

VIBROCONTROL 1100 is a 2 channel microprocessor controlled machine condition monitor. Vibration velocity sensors or vibration acceleration sensors (accelerometers) are used to sense the vibrations from a machine.



**ATTENTION**  
**If the VIBROCONTROL 1100 was converted to a CCS version, only constant current-supplied acceleration sensors can be attached!**

VIBROCONTROL 1100 is a compact machine monitor. All components, like power supply, connectors, signal conditioners, microprocessor and operator panel are integrated to one splash-proofed housing.



VC11TOTA (951030)

Figure 1-1: Top view of a VIBROCONTROL 1100 with cover removed

VIBROCONTROL 1100 is complete; there are no options. Three alarm relays, one OK-relay, two analog outputs, two buffered outputs, remote I/O interface, and signal conditioners are built-in.

There are no jumpers or potentiometers. All functions are completely microprocessor controlled and are configured using the built-in operator panel or via the remote interface with a computer or process controller.

The wiring is done through removable terminal strip connectors.

Vibration analyzers or data collectors can be connected to the buffered outputs without interrupting the monitoring functions.

## Measured Values

### Displayed Parameters

The measured values can be displayed in metric or English units:

Measured Parameter	Abbreviation	Unit	
Vibration Displacement	s	mm	mils
Velocity	v	mm/s	ips
Vibration Acceleration	a	g	m/s <sup>2</sup>

If accelerometers are used, the Bearing Condition of rolling element bearings can be measured and monitored.

The unit for Bearing Condition is BCU.

Bearing Condition	- - -	BCU
-------------------	-------	-----

### BCU Scaling Factor

Due to the BCU scaling factor, the BCU measuring result can be multiplied with a factor. This factor is determined with parameter J19 for channel A and J20 for channel B in the range between 0.1 and 10. Factor 1 displays the measuring result not scaled.

The BCU scaling factor makes it possible to set the measuring result to a defined initial value in order to compare several measuring points. The BCU scaling factor is to be employed preferably with new bearings.

### Note:

*The selected scaling factor must be considered when setting the BCU limit value. If for instance the measuring result is divided by two due to the scaling factor, also the limit value must be divided by two.*

## Example how to use the BCU scaling factor

In case of BCU measurements, the measuring result depends on various factors, e.g. on the place of the sensor installation, on the type of connection (e.g. tightening torque of the sensor) etc. The consequence may be different measuring results with identical machines and the same bearing condition units.

To enable a clear comparison of the single measuring points (change of the bearing condition over a longer measuring period), by means of the BCU scaling factor (parameters **J19**, **J20**) the measuring results can be set to the same initial value (desired value at the beginning of the measurement) for each measuring point.

## Carry out scaling

Input the scaling factor 1 for the respective measuring points.

Acquire the current measuring result.

From the desired BCU initial value and the current measuring result of the respective measuring point, the BCU scaling factor J19 or J20 is calculated with the following formula:

$$J19 = \frac{\text{desired initial value}}{\text{current measuring result}}$$

After the parameter input of all scaling factors, the respective measuring point must display the **desired BCU initial value**.

## BCU averaging

The BCU value may vary depending on the operating conditions of a machine, for example due to varying loading conditions.

A defective anti-friction element which regularly changes its position in such a way that the damaged part comes into contact with the bearing running surface only after several revolutions, will also cause varying BCU values.

Variations of that kind do not allow the conclusion that the bearing is damaged.

The measured value can be averaged by means of a filter with settable time constant (averaging time 10 ... 3600 secs.) in order that these "variations" (which do not represent the normal condition of the machine) don't cause an alarm message.

The bigger the selected averaging time

- the more stable the measured value (particularly important for trend considerations)
- the more delayed the response behaviour of the limit value monitoring.

The averaging be switched on and off separately for channel A and channel B (**parameters J15 ... J18**).

## Measuring Ranges

The measuring ranges are microprocessor controlled and can be selected continuously within the limits defined in the following table:

Sensor : Vibration acceleration sensor  
Signal detection : Root mean square value

Measured Parameter	Measuring Range		Unit
	Min	Max	
Vibration Acceleration	0 ... 4.00	0 ... 800	m/s <sup>2</sup> g
	0 ... 0.40	0 ... 80.0	
Vibration Velocity	0 ... 5.00	0 ... 999	mm/s ips
	0 ... 0.20	0 ... 40.0	

Sensor : Vibration Velocity sensor  
Signal detection : Root mean square value

Measured Parameter	Measuring Range		Unit
	Min	Max	
Vibration Velocity	0 ... 5.00	0 ... 150	mm/s ips
	0 ... 0.20	0 ... 6.00	
Vibration Displacement	0 ... 50.0	0 ... 333	μm mils
	0 ... 2.00	0 ... 13.3	

Multiply values by 1.41 for peak-values and by 2.82 for peak-to-peak values. The largest acceptable number is 999.

The measuring ranges for BCU-Monitoring are independent of the measuring ranges for vibration monitoring.

Measured Parameter	Measuring Range		Unit
	Min	Max	
Bearing Condition	0 ... 1.00	0 ... 140	BCU

## Filters

Machine vibrations are sensed by the vibration velocity sensors or accelerometers. Which sensor to use depends on the application. The following table lists the filters that may be used with the different measured parameters and sensor types:

Measured Parameter	Transducer		Filter
	v	a	
Vibration displacement	x		10 Hz ... 1000 Hz
Vibration Velocity	x	x	1 Hz ... 1000 Hz
	x	x	3 Hz ... 1000 Hz
	x	x	10 Hz ... 1000 Hz
		x	10 Hz ... 10 kHz
Vibration Acceleration		x	3 Hz ... 1000 Hz
		x	10 Hz ... 1000 Hz
		x	3 Hz ... 10 kHz
			10 Hz ... 10 kHz
Bearing Condition		x	15 Hz ... 50 kHz

Sensor :                    v = Vibration Velocity Sensor  
                                   a = Accelerometer

\* )    Fulfills the requirements of International Standard ISO 2372

## Signal Conditioning and Signal Detection Type

The built-in signal conditioners are microprocessor controlled. Gain factors, filters, and the integrator are set automatically. The settings are determined by the microprocessor from the configuration.

### Linearization

The characteristic of vibration velocity sensors is not linear in the lower frequency range, i.e. with frequencies around 10 Hz.

VIBROCONTROL 1100 corrects this nonlinearity with a built-in linearization circuit (Standard  $f_0 = 8$  Hz / the special design  $f_0 = 15$  Hz is identified by an adhesive label inside the instruments). The result is a linear frequency response characteristic for the total measuring system down to 1 Hz.

The linearization circuit can be activated or deactivated by means of parameter input (IO6).

## Settling Time and Cycle Times

Electronic components like amplifiers, filters, etc. need a certain amount of time to provide the correct output signal after the input signal has been switched or changed.

This time is called settling time. Components used to measure low frequencies have longer settling times than components used to measure higher frequencies.

## VIBROCONTROL 1100

can be configured as a single channel monitor or a 2 channel monitor.

### **Single Channel Monitor** (Vibration and Bearing Condition)

Operating as a single channel monitor, settling times are not required, since the vibration signal is not switched from channel A to channel B. The configuration, filter characteristic and gain, etc. of the Vibration Signal Conditioner and the Bearing Condition Detector do not need to be changed; therefore the vibration signal is measured continuously.

Cycle Time:	Built-in Display	0.5 s
	Alarm level comparison	0.25 s

### **2 Channel Monitor** (Vibration)

The vibration signals of channel A and B are switched alternately (multiplexed) to the Vibration Signal Conditioner.

For each switch between channel A and B, the Vibration Signal Conditioner is automatically re-configured and settling times are required.

The total time for one measurement consists of the settling time and the measurement time. The measurement time is always 3 seconds.

Outside the measuring times, the current display values of the other channel are frozen, the current measured value, however, is monitored in intervals of 0.25 seconds.

The following table shows the settling times and the cycle times (sum of settling and measuring time) for different functions and setups of the Vibration Signal Conditioner. Different setups can be used for channel A and B. The total cycle time is the sum of the cycle times for channel A and B.

Activated Function	Settling Time	Cycle Time
High Pass Filter: 1 Hz	1.75 s	4.75 s
High Pass Filter: 3 Hz	1.00 s	4.00 s
High Pass Filter.: 10 Hz ISO	1.25 s	4.25 s
High Pass Filter: Special	1.75 s	4.25 s
Integrator	6.00 s	9.00 s
Linearization Circuit:	5.75 s	8.75 s

If more than one function has been selected, the function with the longest settling time determines the total settling time.

### **2 Channel Monitor** (Vibration and Bearing Condition)

Since VIBROCONTROL 1100 is equipped with a Bearing Condition Detector, the measurement of Bearing Condition is independent of the vibration measurement.

The settling time is 2.75 s and the measuring time is 1.25 s.

## Monitoring

Each measuring channel has three limit values. Two limit values for monitoring the vibration level, (lim\_1 and lim\_2), and one limit value for Bearing Condition (lim\_b). Each limit value can be set individually.

Each limit value can be set to any value between 10 % and 100 % of the measuring range. Larger or smaller limit values are not accepted and will generate an error message

For each limit value an alarm delay time between 1 and 99 seconds can be selected. Limit value exceedance is only acknowledged if the monitored signal remains above the limit value for a period of time longer than the selected delay time. When acknowledged, the event is entered into the 'Log Book', and if it is configured to do so, the appropriate relay trips

In the 2 channel mode the alarm delay time is related to the measurement cycle of the appropriate channel. Two cases have to be considered:

### Case 1

The measured value exceeds the limit value and the alarm delay time is shorter than the remaining measurement time of this cycle. If the measured value stays above the limit value, the alarm event is acknowledged after the alarm delay time.

### Case 2

The measured value exceeds the limit value and the alarm delay time is longer than the remaining measurement time of this cycle. At the end of the measurement cycle, the alarm delay time is suspended. If the measured value still exceeds the limit value at the beginning of the next measurement cycle, the alarm delay time is resumed. This procedure is continued until the end of the alarm delay time. At this point the alarm event is acknowledged. In case 2 the alarm delay time is prolonged by the measurement cycle of the other channel.

## Log Book

All events are stored in a circular buffer using short notation. This buffer can store up to 99 events.

Events are:

Power Up; limit value exceedance; reset instructions; and internal errors detected by the self monitoring.

If the Log Book capacity is exceeded, the "oldest" event is deleted and all stored events are shifted one position, freeing space to store the new event.

The Log Book can be displayed on the built-in display or read via the remote interface.

Each Log Book entry begins with an "H", (for History) followed by a two digit running number and a 'short' notation of the event.

## Example:

### H03 K1 Lim1 A

#### Meaning:

H03	Label of Log Book entry
K1	Relay K1 tripped
Lim1 A	because limit value lim_1 of channel A has been exceeded.

The Log Book is deleted every time the VIBROCONTROL 1100 is powered up. It can also be deleted using the built-in operator panel or via the serial interface.

## Relays

Three relays are provided which are activated on alarm exceedance if so programmed.

They are designated as K1, K2, and K3.

## Programming the Relays

Relay operation is defined by the setup parameters:

1. Which limit value controls which relay.
2. Latching or Non-Latching Mode.
3. Energized or de-energized Operation.
4. Control a relay by combining several limit values using a logical OR or AND statement.

### Comment to 1.

Limit value exceedances can be configured as single events or grouped events.

A configuration that is commonly used is, lim\_1A and lim\_1B control relay K1, and lim\_2A and lim\_2B control relay K2.

### Comment to 2.

#### *Latching Mode*

The relay remains latched (tripped) until it is reset using the control panel, reset switch, or via the remote interface.

#### *Non-Latching Mode*

The relay is automatically reset when the measured value drops below the limit value.



### Comment to 3.

This choice depends on the user's philosophy. What is important though, is preventing a false relay trip if power to the VIBROCONTROL 1100 is disconnected.

Mode	No Alarm	Alarm
Normally Energized	Relay active	Relay not active
Normally De-Energized	Relay not active	Relay active

### Comment to 4.

#### **AND**

Several limit values control one relay. This relay is tripped only if all limit values are exceeded.

#### **OR**

Several limit values control one relay. This relay is tripped if at least one limit value is exceeded.

#### Note:

*If a measuring channel or a limit value has been set to "not active" ("N") and this limit value is combined with an AND, this logical condition can never become "true". Therefore the alarm indication can never be activated.*

## OK-Monitoring



The OK-Monitoring is used to report malfunctions and/or data failure of the program and data stores, electric damages or the failure of the sensor and its connection lines. The monitoring covers an "External range recording" of the vibration signal. Errors caused by cable breakage, short circuit or earth fault of the signal lines are recognized, reported and written into the log book.



Since the OK-Relay is normally energized, the messages are output in the operating state network ON/OFF.



System messages such as:

- no calibration data in EEPROM
- no dialog data in EEPROM

will cause an OK-error which can be reset by means of **Relay Reset**.

### Important:

When an OK error occurs, all limit relays maintain their current status. After removing the OK error and acknowledging it by "Relay Reset", they perform their normal function again.

In case of a system error message, e.g.

- calibration data not readable (ER -31)
- no valid calibration data in the EEPROM (ER -37)

a hardware error is present.



This error can only be eliminated by a Brüel & Kjær Vibro service station or in the parent company.

## Inputs and Outputs

### Inputs

VIBROCONTROL 1100 accepts vibration velocity sensors or accelerometers.

In 2 channel operation, sensors of the same type with the same sensitivity are required.

Accelerometers (passive sensors) are powered by the internal power supply of VIBROCONTROL 1100.

### Outputs

#### a) Alarm Indication

Alarm level exceedances are indicated by galvanically free relay contacts.

#### b) Analog-Outputs

Two separate analog outputs are provided for analog meters or strip chart recorders. Which measured parameter is supplied on which analog output is determined during the setup. Each analog output can be configured for either 0 ... 10 V or 0.4 ... 20 mA.

### Remote I/O (Serial Interface)

Up to 205 VIBROCONTROL 1100 can be daisy-chained to one serial interface of a computer or process controller. Status, Log Book, and measured values can be read, stored, displayed, printed, etc.

In addition the configuration of each VIBROCONTROL 1100 can be confirmed and modified.

## Definitions

Several terms are commonly used for measured vibration parameters. The following is a summary of terms used in this manual.

### Signal Detection Type:

Zero-to-Peak Value \*)  
Definition: The maximum deviation of the absolute value of the vibration signal from zero.  
Used here: peak or pc  
Other terms: peak-value, amplitude, single amplitude

### Signal Detection Type:

Peak-to-Peak Value \*)  
Definition: The maximum distance between peak negative and peak positive of the vibration signal.  
Used here: peak-to-peak or ppc  
Other terms: amplitude, double amplitude

### Signal Detection Type:

Root-Mean-Square Value  
Definition: The square root of sum of the squared amplitudes over a period of time.  
Describes the energy content of a vibration signal.  
Used here: rms  
Other terms: effective value, true rms value

\*) VIBROCONTROL 1100 measures the true rms value. Peak values are calculated from the rms value using the formulae:

### Beispiel:

zero-to-peak value = rms value x 1.41 [pc]  
peak-to-peak value = rms value x 2.82 [ppc]

## 2 Technical Data

### Supply Voltage



- Type VC-1100-C01  
Type VC-1100-C11  
115 V AC or  
230 V AC +15 % / -25 %  
jumper selectable 48 ... 400 Hz
- Power consumption  
approx. 15 VA
- Type VC-1100-C02  
Type VC-1100-C12  
Power consumption  
24 V DC (16 ... 36 V)  
approx. 15 W

### Fuses

- Supply Voltage 115/230 V AC  
2 Thermo-Resistors  
250 °F (125 °C)  
built-in the primary transformer  
windings
- Supply Voltage 24 V DC  
Sensor supply -24 V  
NTC - Resistor  
2 x 30 mA short-circuit-proof

### EMC

- EN 61326-1

### Security

- EN 61010-1

## Safety and reliability related values according to DIN EN ISO 13849-1

Safety and reliability related values MTTF, PL and Category according to DIN EN ISO 13849-1 have been evaluated for VC-1100 with the following results:

### Device: VC-1100 C01 and C11

Parameter	Value (40°C)	Value (50°C)
MTTF	640.148 h ~ 73 years	414.950 h ~ 47 years
PL	c	c
Category	1	1

### Device: VC-1100 C02 and C12

Parameter	Value (40°C)	Value (50°C)
MTTF	696.209 h ~ 79 Jahre	541.741 h ~ 62 Jahre
PL	c	c
Category	1	1

### Device: VC-1100 C01/CCS and C11/CCS

Parameter	Value (40°C)	Value (50°C)
MTTF	638.674 h ~ 73 years	414.143 h ~ 47 years
PL	c	c
Category	1	1

### Device: VC-1100 C02/CCS and C12/CCS

Parameter	Value (40°C)	Value (50°C)
MTTF	694.466 h ~ 79 years	540.784 h ~ 62 years
PL	c	c
Category	1	1

### Test conditions:

- ◆ Operating temperatures: 40°C und 50°C.
- ◆ Environmental conditions: Ground Benign, Controlled

**Note:**

The results of this assessment are valid when the following procedures are followed:

- ◆ The Relays of the VC-1100 have to be operated in the „normally energised” mode.
- ◆ The analog 4-20 mA signal industry-standard current loops must be used.
- ◆ The OK Relay has to be used as system function.
- ◆ The VC-1100 system must be protected against erroneous change in configuration.

**Abbreviations:**

MTTF	Mean Time To Failure
PL	Performance Level From PL "a" (highest failure probability) to PL "e" (lowest failure probability).
Category	Category (CAT) Classification of the safety related parts of a control system in respect of their resistance to faults and their subsequent behaviour in the fault condition, and which is achieved by the structural arrangement of the parts, fault detection and/or by their reliability.
Ground Benign, Controlled	Nearly zero environmental stress with optimum engineering operation and maintenance.

**Note:**

**More detailed information about safety and reliability values concerning EN13849-1 can be obtained on request from Brüel & Kjær Vibro ([info@bkvibro.com](mailto:info@bkvibro.com))**

## Housing and Operating Conditions

### Housing

- Material Aluminium AL Si 12
- Seal type IP 65
- Dimensions 360 x 160 x 91 mm (LxWxH)  
14.2 x 6.3 x 3.6 inch (LxWxH)
- Weight app. 5 kg (11 lbs)
- Cable fittings 9 x M16x1,5 and 3 x M20x1,5 feed-throughs adapters  
M16x1,5 to 1/2-14 NPT are available
- Paint RAL 7032 (grey)  
Top cover RAL 2011 (orange)

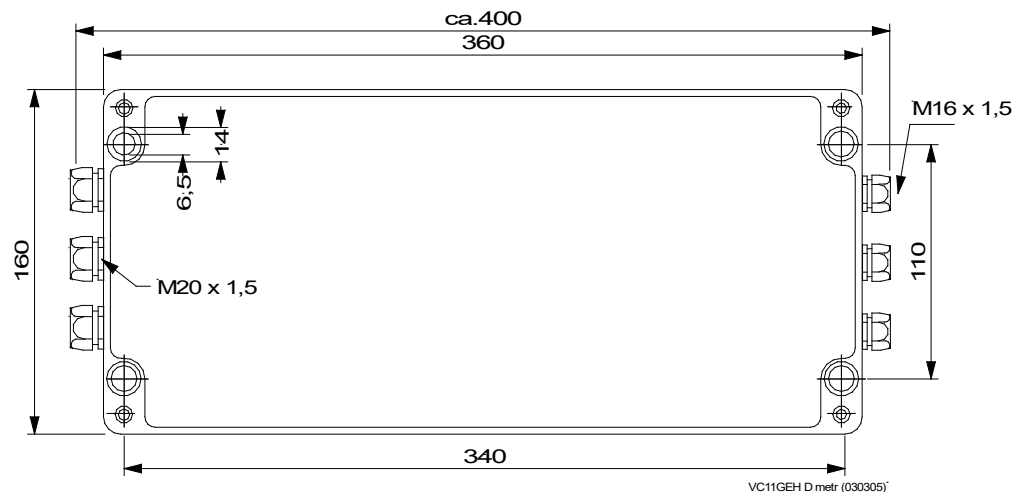


Figure 2-1: Housing Dimensions

### Operating Conditions

- Storage Temperature Range -20 ... +70 °C (4 ... 148 °F)
- Operating Temperature Range 0 ... +50 °C (32 ... 122 °F)
- Rel. Humidity max. 95 % non condensing
- Overvoltage category II
- Altitude < 2000



## Analog Circuits

<b>Channels</b>	2
<b>Inputs</b> <sup>1) 2)</sup>	accept <ul style="list-style-type: none"> <li>a) Vibration Velocity Sensors with a sensitivity of 100 mV/mm/s, <math>f_o = 8</math> Hz, <math>R_i = 4</math> k<math>\Omega</math></li> <li>b) Accelerometer with a sensitivity of 100 mV/g (10.2 mV/m/s<sup>2</sup>)</li> </ul>
<b>Input Impedance</b>	approx. 100 k $\Omega$

## Accuracy

(for frequency ranges listed below:)

- Vibration Parameters
  - $\pm 0.5$  % of full-scale plus:
  - $\pm 4.0$  % of the meas. value ( 1 Hz... 3 Hz)
  - $\pm 2.0$  % of the meas. value ( 3 Hz... 10 Hz)
  - $\pm 1.0$  % of the meas. value ( 10 Hz... 100 Hz)
  - $\pm 2.0$  % of the meas. value (1000 Hz...10000 Hz)
  
- Bearing Condition
  - $\pm 6$  % of the measured value plus or
  - $\pm 3.5$  % of full-scale, whichever is greater

## Frequency Range <sup>3)</sup>

The 10 Hz high-pass and 1000 Hz low-pass filters are of the 3.rd order, and meet the requirements of DIN/ISO 2373, DIN/ISO 3945 and DIN 45 666. All other filters are 2nd order Butterworth filters, with -1 dB damping at specified corner frequencies.

- Vibration Displacement: 10...1000 Hz (v- sensor)

- 1) *VIBROCONTROL 1100 accepts 2 sensors of the same type and sensitivity.*
- 2) *The setup is microprocessor controlled via the built-in operator panel or Remote Interface.*
- 3) *The respective selection is made software-controlled in dialog mode.*

- Vibration Velocity:
  - or 1... 1000 Hz (v-or a-sensor)
  - or 3... 1000 Hz (v-or a-sensor)
  - or 10... 1000 Hz (v-or a-sensor)
  - or 10...10000 Hz ( a-sensor)
  
- Vibration Acceleration:
  - or 3... 1000 Hz (a-sensor)
  - or 10... 1000 Hz (a-sensor)
  - or 3...10000 Hz (a-sensor)
  - or 10...10000 Hz (a-sensor)
  
- Bearing Condition: 13 kHz ... 64 kHz- 3 dB (a-sensor)

### Measured Parameters and Signal Detection Type <sup>3)</sup>

- Root-Mean-Square-Value  $X_{rms}$  or  $X_{eff}$  for s/v/a
- Zero-to-Peak-Value  $X_{pc}$  for s/v/a
- Peak-to-Peak-Value  $X_{ppc}$  for s/v/a
- Bearing Condition BCU

*3) The respective selection is made software-controlled in dialog mode.*

*4) Ranges between min. and max. are infinitely variable.*

## Measuring Ranges <sup>3) 4)</sup>

The measuring range depends on the selected sensor type, measured parameter, and signal detection type. The range is continuously adjustable within the minimum and maximum values shown in the table.

Sensor	Unit	Measured Parameters and Signal Detection Type					
		rms		pc		ppc	
		min	max	min	max	min	max
a	m/s <sup>2</sup>	0... 4.0	0...800.0	0... 6.0	0...999.0	0... 12.0	0...999.0
	g	0... 0.4	0... 80.0	0... 0.6	0...120.0	0... 1.2	0...240.0
	mm/s	0... 5.0	0...999.0	0... 7.5	0...999.0	0... 15.0	0...999.0
	ips	0... 0.2	0... 40.0	0... 0.3	0... 60.0	0... 0.6	0...120.0
v	mm/s	0... 5.0	0...150.0	0... 7.5	0...225.0	0... 15.0	0...450.0
	ips	0... 0.2	0... 6.0	0... 0.3	0... 9.0	0... 0.6	0... 18.0
	mm	0...50.0	0...333.0	0...75.0	0...500.0	0...150.0	0...999.0
	mils	0... 2.0	0... 13.3	0... 3.0	0... 20.0	0... 6.0	0... 40.0

Sensor	Unit	Measuring range	
		min	max
a	BCU	0 ... 1	0 ... 140

Type of Sensors:

a = vibration acceleration Sensor

v = vibration velocity Sensor

## Measuring Cycles

### ◆ Single-Channel-Mode

- Vibration Displacement 3.0 s
- Bearing Condition 1.25 s
- Refresh Display 0.5 s
- Comparison of limit values 0.25 s

3) The respective selection is made software-controlled in dialog mode.  
 4) Ranges between min. and max. are infinitely variable.

## Dual-Channel-Mode

- Vibration Parameters  
Measuring Time per Channel: 3.0 s
- Settling Times:
  - Filter with a lower frequency corner of 1 Hz 1.75 s
  - Filter with a lower frequency corner of 3 Hz 1.0 s
  - ISO-Filter with a lower frequency corner of 10 Hz 1.25 s
  - Special Filter 1.75 s
  - Integrator 6.0 s
  - Linearization Circuit 5.75 s
- Bearing Condition  
Measuring Time per Channel: 1.25 s  
Setting Time 2.75 s

## Analog Output

- Number of Outputs 2 <sup>3)</sup> Resolution: 256 (8 Bit)  
(both outputs independently adjustable)  
Refresh time approx. all 0.5 s
- 0...10 V DC  $R_{load} \geq 500 \Omega$   
(withstands short circuits)  
or 0...20 mA Load  $\leq 500 \Omega$   
or 4...20 mA Load  $\leq 500 \Omega$
- Error:
  - U-Output  
 $\pm 1\%$  of measured value  $\pm 0.1$  mV
  - I-Output  
 $\pm 2\%$  of measured value  $\pm 0.2$   $\mu$ A
- Buffered Outputs  
Number of Outputs 2  
Output of the sensor signal of each channel with the correct phase. The signal is attenuated by a factor of 0.1  
Source impedance :  $\approx 0 \Omega$   
Max. output current : 4 mA  
Resistance :  $> 10$  k $\Omega$   
Max. cable length with cable capacitance of 70 pF/m  
(Wire against wire) :  $\leq 16$  m

3) The respective selection is made software-controlled in dialog mode.

## Microprocessor - System

### Storage capacity

RAM	8 kByte
EPROM	64 kByte
EEPROM	2 kByte

### Built-in Operator Panel

- 5 push buttons
- LCD, 16 characters, alphanumeric

### Storage of setup parameters

in non-volatile EEPROM

### Limit values <sup>3)</sup>

- Total number 6 (3 per channel)
- per channel
 

1 limit value 1	(lim_1)
1 limit value 2	(lim_2)
1 limit value Bearing Condition	(lim_b)

### Relays

- Self-Monitoring 1 OK-Relay to indicate malfunctions detected by the self-monitoring function
- Alarm Level Exceedances 3 Relays K1, K2, K3 to indicate alarm level exceedances <sup>3)</sup>
- Range of settings for limit values 10 ... 100 % of the corresponding measuring range
- Contacts 2 pole
- Contact Rating
 

250 V AC, 5 A (Ohm Load, cos φ = 1)
250 V AC, 2 A (Inductive Load, cos φ = 0.4 ... 0.7)
24 V DC / 0.4 A
48 V DC / 0.2 A



**A spark extinguisher must be installed as close to the spark generator as possible !**

### WARNING!

*As external voltages are connected to the relay contacts, hazardous contact voltages may still be present there even after the supply voltage of the VC-1100 has been interrupted.*

<sup>3)</sup> The respective selection is made software-controlled in dialog mode.

## Link of limit values to relays

- Each limit value can be linked only once
- None or 1 to 6 limit values can be linked to one relay
- If a relay is linked to several limit values, the limit value exceedances can be combined in two ways:
  - a) AND  
The relay trips, if all limit values that are linked to this relay are exceeded.
  - b) OR  
The relay trips, if at least one of the limit values linked to this relay is exceeded.
  
- OK-Relay normally energized
- Alarm relays <sup>3)</sup>  
K1, K2, K3 normally energized  
or normally de-energized latching or non-latching
- Alarm delay Time <sup>3)</sup> can be set individually for each limit value from  
between 1 and 99 s (accuracy  $\pm 5\%$ )
- Reset function 1 galvanically free contact switch to reset  
latched relays.
  
- Remote Interface Number of Ports 2 Interface Type RS-232-C (EIA),  
(Data only)
- Baud rate <sup>3)</sup> 1200, 2400, 4800 or 9600 Parity none Data Bits 8  
Stop Bits 1

*3) The respective selection is made software-controlled in dialog mode.*

### 3 Connectors and Interfaces

#### Fundamentals:



##### ATTENTION

If the VIBROCONTROL 1100 was converted to a CCS version, only constant current-supplied acceleration sensors (CCS) can be attached!



- ◆ All connections including those for power are inside the housing.
- ◆ Electrical connection of the VIBROCONTROL 1100 may only be undertaken by trained personnel.
- ◆ Connection work is to be undertaken in de-energised condition.
- ◆ As external voltages are connected to the relay contacts, hazardous contact voltages may still be present there even after the supply voltage of the VC-1100 has been interrupted.
  
- ◆ Feed cables into the housing via feed-through fittings. There is a total of 3 x M20x1,5 and 9 x M16x1,5 feed-through fittings; 6 on each side.  
The threads are M16x1,5, a standard commonly used in Europe.  
Each VIBROCONTROL 1100 comes with two M16x 1,5/M12 x 1,5 adapters.  
Maximum cable size is 1.5 mm<sup>2</sup> (16 AWG).  
Use flexible cable only.



- ◆ Cable ends should have crimp ferrules for a proper connection to the removable terminal strips. Remove (unplug) the terminal strips during wiring. VIBROCONTROL 1100 groups the terminal strips in functional blocks (sensors, remote I/O, relays, etc.) and each is coded to prevent mix-ups.



- ◆ Use shielded cables to suppress external RF noise. This is not necessary for power and relay wiring.  
  
Connect all shields to the screw terminals located on top of both sides of the internal housing (SE).



- ◆ Run signal cables a minimum of 0.5 m (20 inches) from power cables. If you must cross a power cable do so at right angles.

***By means of steel flexible tubes, protect signal leads from mechanical damage and electrical interferences.***

## Index of Cable Connections and Interfaces:

<b>Inputs:</b>	<b>Terminal:</b>	<b>Page:</b>
Power	19 ... 24	4
Sensor Channel A	37 ... 40	5-7
Sensor Channel B	41 ... 44	5-7
Relay Reset	35 ... 36	8
<b>Inputs:</b>	<b>Terminal:</b>	<b>Page:</b>
Relay 1	10 ... 12	9
Relay 2	13 ... 15	9
Relay 3	16 ... 18	9
OK-Relay	7 ... 9	9
Analog Output 1 Channel A	3 ... 4	11
Analog Output 2 Channel B	5 ... 6	11
Buffered Output Channel A	31 ... 32	12
Buffered Output Channel B	33 ... 34	12
<b>Remote I/O:</b>		
RS-232-C IN	25 ... 30	13
RS-232-C OUT C	28 ... 30	13

## The connections in particular:

## Symbols

The following abbreviations are used:



TE = Technical Earth (Ground)

SE = Shield Earth (Ground)

PE = Protective Earth (Ground)



↓ = General Symbol for Reference Level

OVA = Analog Circuits

OVD = Digital Circuits



L = Line Voltage

N = Neutral

DC = Direct Current/Voltage

AC = Alternating Current/Voltage

TD = Transmit Data (RS-232-C)

RD = Receive Data (RS-232-C)

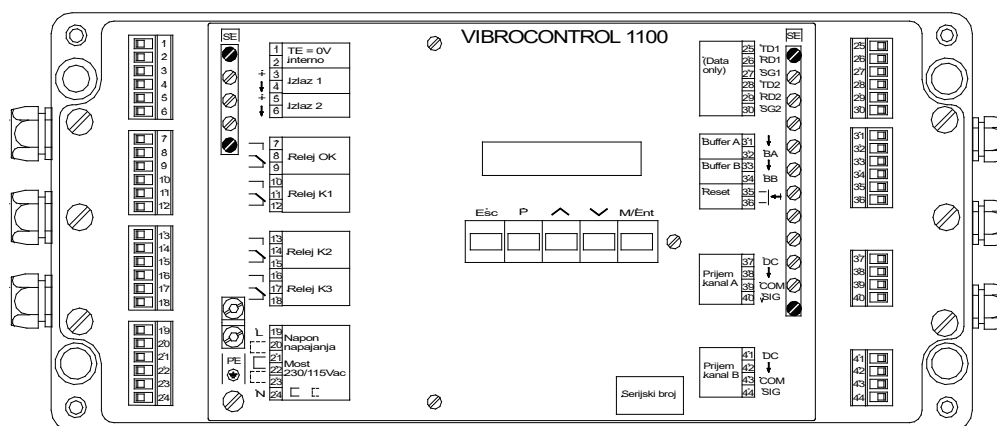
SG = Signal Ground (RS-232-C)

BA = Buffered Output Channel A

BB = Buffered Output Channel B

TE (OVA) and OVD can be connected at a central point.





VC11TOTA (030110)

Fig. 3-1: Top view of a VIBROCONTROL 1100 with cover removed

## Important: Safety Procedures



The safety instructions are attached as a separate brochure in different languages.

The user is responsible for commissioning the VIBROCONTROL 1100 and its placement in the operating environment. Special care should be taken when installing sensors in hazardous areas.

Apply safety standards properly.



In the event of **incorrect** connection of the power supply, dangerous voltages may be conducted onto the housing. Moreover, the measurement inputs and outputs may be destroyed by the supply voltage.

In the event of **incorrect** connection of the relay contacts, dangerous voltages may be conducted onto the housing. Moreover, the measurement inputs may be destroyed by the supply voltage.

In the event of **incorrect** connection of the measurement inputs, dangerous voltages may be conducted onto the housing or transported to other measuring points. Moreover, the measurement inputs may be destroyed.

## Inputs

### Power Supply

#### WARNING!



*The power supply may only be connected via a separator (switch or circuit breaker). A switch used as a separator must fulfil requirements according to IEC 60947-1 and IEC 60947-3 and be suitable for this application.*



#### Version

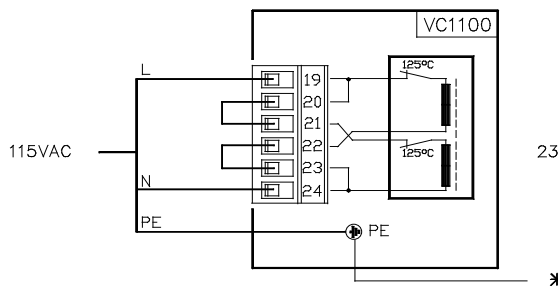
VC 1100 C01/C11

#### Supply Voltage

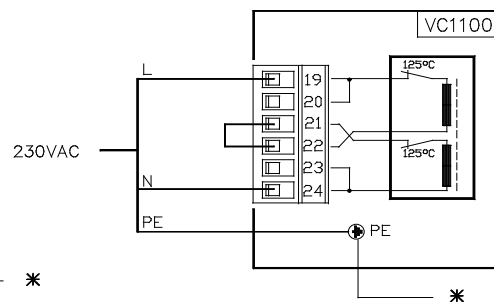
230 V AC or 115 V AC

VC 1100 C02/C12 24 V DC

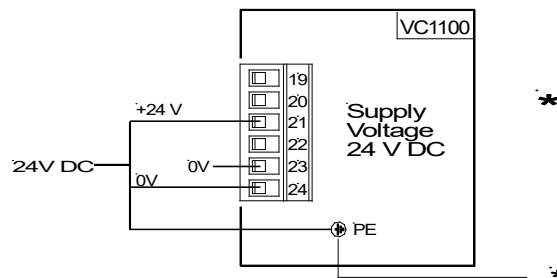
#### 115 V AC Wiring



#### 230 V AC Wiring



#### 24 V DC Wiring



\* Connect to terminal 1 or 2 (see general ground recommendations)

KL19-24 E (940921)

Fig. 3-2: Supply Voltage Wiring

Coded Terminal strip 19 - 24 cannot be plugged into any other slot but its own.



The power connection must be protected against abrasion and bending at the point of entry into the VC-1100. Adequate provision must be made to relieve strain on the connection cable.

## Grounding



Connect protective ground of the power cord to the PE terminal located on top of the internal housing.



This is the central grounding point for the housing. This point (PE) is connected to TE by a jumper wire between terminal strip 1/2 and SE. This is the standard configuration.

In special cases, for example if a peripheral instrument is used with internally grounded inputs, open the connection between PE and TE by removing this jumper wire.

Please consult the **General Grounding Recommendation** in this manual.

## Sensors (except of CCS-Sensors)

Two types of sensors can be connected:

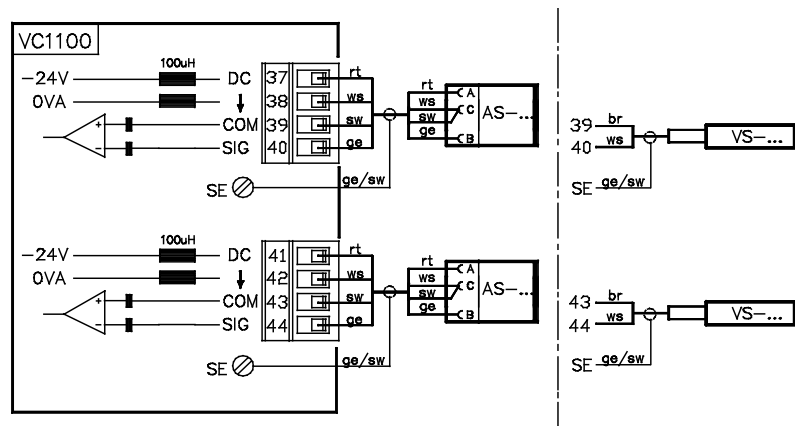
- a) Vibration Velocity Sensors
- b) Vibration Acceleration Sensors (Accelerometers)



Velocity sensors and accelerometers have different interfaces. The velocity sensors (Type VS - ...) is an active sensor, i.e. it does not require a supply voltage. The cable has two conductors and a shield.

The accelerometer (Type AS - ...) is a passive sensor, i.e. it has a built-in charge amplifier which requires a supply voltage. VIBROCONTROL 1100 supplies accelerometers with -24 V DC with a max. current of 30 mA. The cable has of 4 conductors and a shield.

The connecting cable has 4 conductors when the connection is made through a terminal box (AC-221). If the sensor is directly connected the connecting cable has 3 conductors.



KL37-44 (940718)

Fig. 3-3: Connecting Vibration Velocity and Vibration Acceleration Sensor

*rt = red, ws = white, sw = black, ge = yellow, br = brown, ge/sw = yellow/black*

### Hint:

To connect the 3-wire sensor to the VC-1100 the terminal 38 + 39 (channel A) or terminal 42 + 43 (channel B) has to be bridged.

Standard sensor cable length is 5 m (16 feet). A maximum cable length of 200 m (600 feet) requires proper installation including appropriate junction boxes and signal cables.

For more information, please consult the manual for the sensor used.

## Relay Reset

Only a potential-free circuit element (normally open contact) may be connected to the RESET input. Latched relays can also be reset via the operating panel or through the remote interface.

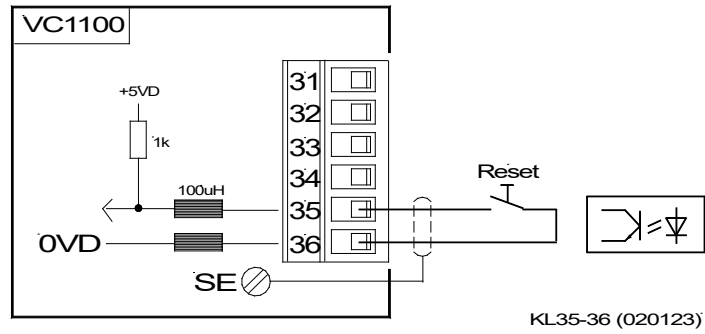


Fig. 3-4: Connection of a galvanically free switch to the Relay Reset-Input

## Connection of CCS sensors

### Fundamentals



**ATTENTION**

If the VIBROCONTROL 1100 was converted to a CCS version, only constant current-supplied acceleration sensors can be attached! Consider the supplement page!

Vibration acceleration sensors with a 4 mA constant-current in a 2-wire technique can be connected.

- ◆ This supplement describes **only** the special features, if the VC1100 has been changed for the use of CCS (Constant Current Supply) sensors .
- ◆ If a VC-1100 has been changed for the use of CCS Sensors, it is marked as follows:
  - ◇ Indication on the identification plate
  - ◇ Sticker on the internal front plate

### Index of Cable Connections and Interfaces:

Inputs:	Terminal:
Sensor Channel A	37 ... 40
Sensor Channel B	41 ... 44

### Sensor connection in the case of constant-current sensors

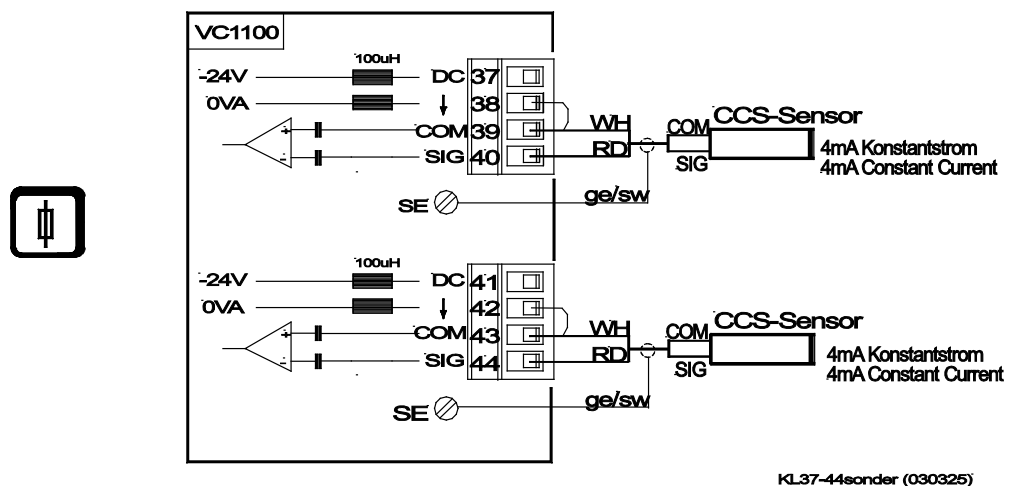


Fig. 3-5: Connection of acceleration sensors with constant-current power requirement (CCS = constant current source)

**Note:**  
To connect a three-wire sensor on the VC-1100, you have to bridge terminals 38 (↓) and 39 (COM) for sensor A (42-43 for B).

The maximum cable length is dependant upon the frequency range to be measured, the cable used and the expected signal level.

The table below provides some orientation concerning the possible cable lengths:

		<i>Effective cable capacitance 1000 m</i>		
		<i>120 pF</i>	<i>227 pF</i>	<i>121 pF</i>
<b>f [kHz]</b>	<b>Amplitude</b>	<b>Maximum cable length in meters</b>		
1	1 V <sub>ss</sub>	6600 m	3500 m	6000 m
	10 V <sub>ss</sub>	650 m	350 m	650 m
2	1 V <sub>ss</sub>	3300 m	1700 m	3200 m
	10 V <sub>ss</sub>	330 m	170 m	320 m
10	1 V <sub>ss</sub>	660 m	350 m	660 m
	10 V <sub>ss</sub>	65 m	35 m	66 m
38	10 BCU	530 m	280 m	520 m
	100 BCU	53 m	28 m	52 m

**Note for the definition of OK-Limits (look VC-1100 – manual parameter list)**

For CCS sensors the following limits should be used:

- ◆ OK-upper limit: 18
- ◆ OK-lower limit: 2

**Note:**

*When no sensor is connected the analogue output will automatically be driven to full scale !*

## Outputs

### Relays



Consider the following if the relay outputs are to be used.

- ◆ Decide if the relays are to be "normally energized" or "normally de-energized". Setup parameters (N10, N11, N12) must be consistent with the wiring.  
Refer to the examples on the next page.
- ◆ If a relay is configured as latching (see parameters N07, N08, N09) there are three ways to reset it.  
With the operating panel; via the remote interface; using the Relay-Reset Input  
To use the Relay-Reset Input, connect a galvanically free switch to terminals 35 and 36 (see previous page).
- ◆ If conductive loads are connected, provide appropriate spark suppression placed as close as possible to the part that would generate the spark.
- ◆ Contact load: 220 V / 5 A ohmic load

### WARNING!



*As external voltages are connected to the relay contacts, hazardous contact voltages may still be present there even after the supply voltage of the VC-1100 has been interrupted.*

**A spark extinguisher must be installed as close to the spark generator as possible !**

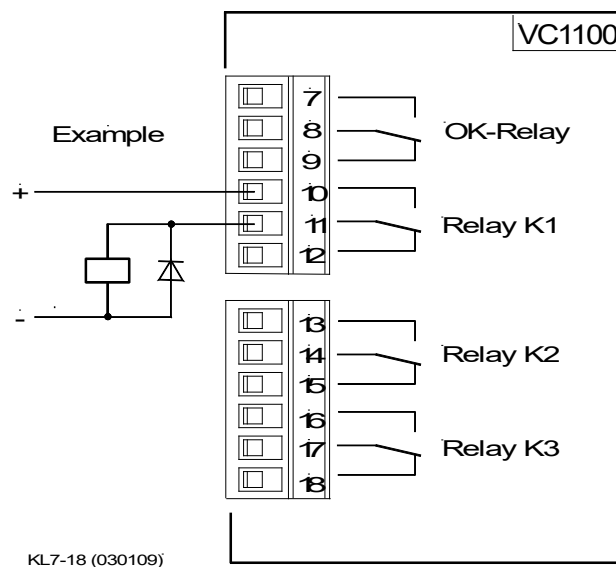


Fig. 3-6: Connecting the-Relays

Figure 3 – 6: shows the contacts in the de-energized position.



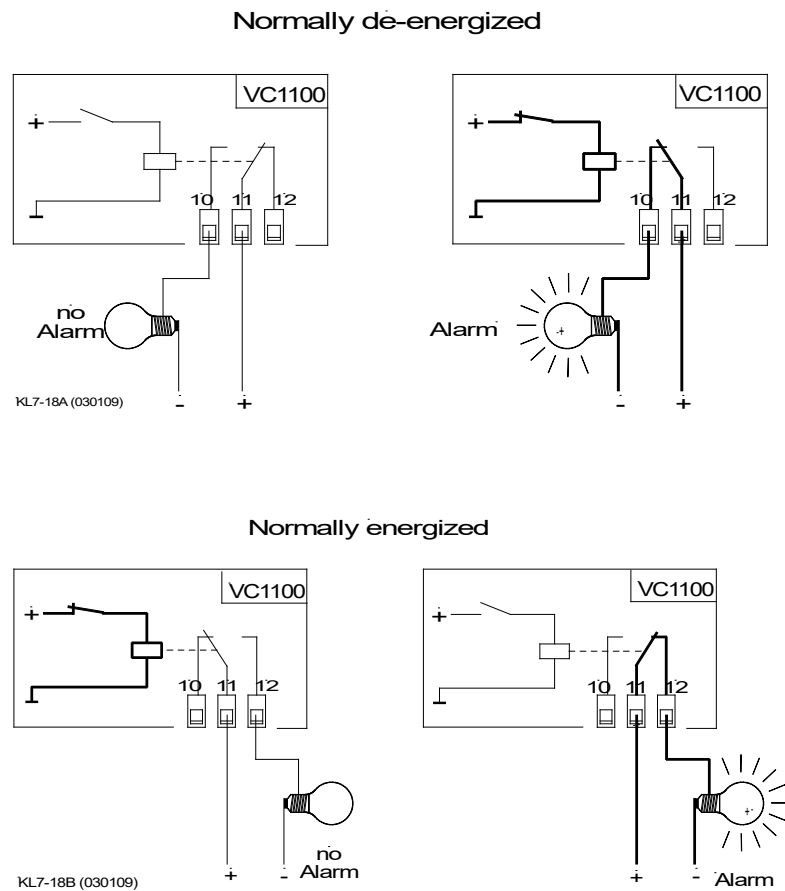
## Relays



The following diagrams explain the terms

- normally de-energized and
- normally energized

The thicker lines show energized circuits.



*Fig. 3-7: Explanation of the Normally De-Energized and Normally Energized Mode for Relays*

## Analog Outputs

The analog outputs are used for example with strip chart recorders and analog meters. These analog outputs are not galvanically free, (isolated) and should only be used with instruments that have galvanically free inputs.

Both analog outputs are independent and of equal design.

Their function depends on how they are configured (see parameters L1, L2, L3, L4).

### Example :

Configure analog output 1 for the measured vibration value of channel B "vib\_B" using a 4 ... 20 mA signal.

The setup parameters for channel B are:

- Measured Parameter      J04:    v (vibration velocity)
- Unit                              J06:    mm/s (or ips)s
- Signal Detection          J08:    rms
- Measured Tange          J10:    50.0 (or 2.00)

Using this setup, an output signal of 4 mA corresponds to a vibration level of 0 mm/s (0 ips). An output signal of 20 mA corresponds to a vibration level of 50.0 mm/s (2.00 ips).

### Technical Data :

- 0/4 ... 20 mA DC:                      load      < 500 Ω
- 0 ... 10 V DC voltage:                load      > 1 kΩ, short circuit protected

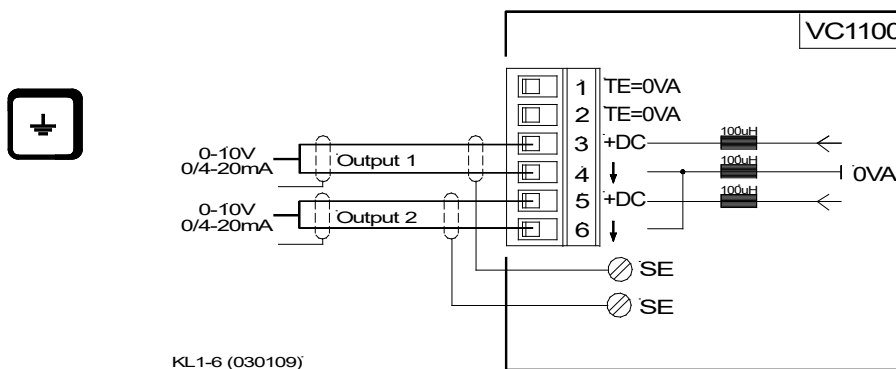


Fig. 3-8: Connecting Analog Outputs

## Buffered Outputs

At measurement signal outputs Buffer A and B, the input signals of the measurement sensors of channels A and B are present in a weakened form (factor 0.1) (AC ratio only).

Their function is the connection of high-ohmic measuring and testing devices.

Output current  $I_{max}$  : 4 mA

Load resistance  $R_L$  : > 10 k $\Omega$

Cable length at cable capacitance  
70 pF/m (wire to wire) :  $\leq$  16 m

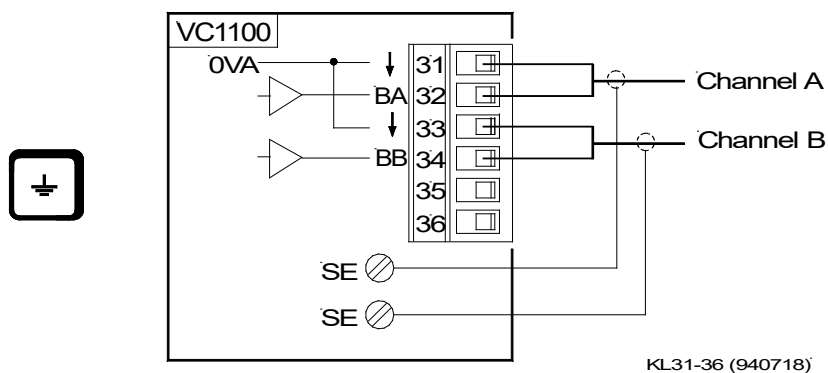


Fig. 3-9: Connecting to the Buffered Outputs for On Site Analysis

## Remote I/O

VIBROCONTROL 1100 has two RS-232C serial interfaces. Hardware handshakes are not required for communication with process controllers or personal computers (HOST). This reduces the number of cable conductors required.

Cables should be shielded with two twisted pairs.

The Remote Interface provides a means to interrogate and modify the configuration as well as obtain the measured values from up to 205 daisy-chained VIBROCONTROL 1100's.

VIBROCONTROL 1100 can be connected to a HOST in two different ways:

### a) A HOST communicating with one VC-1100

for 25-pole Sub-D Plug

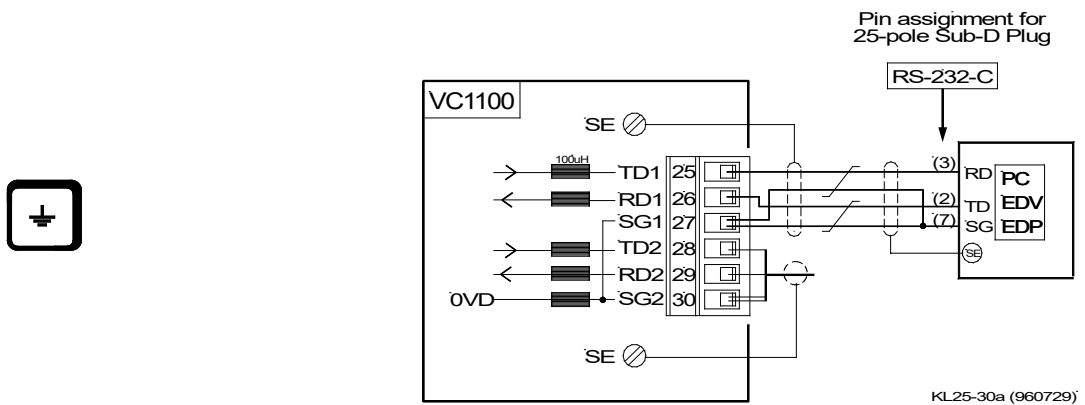


Fig. 3-10: Interfacing a HOST with one VC-1100

### b) A HOST communicating with one VC-1100

for 9-pole Sub-D Plug

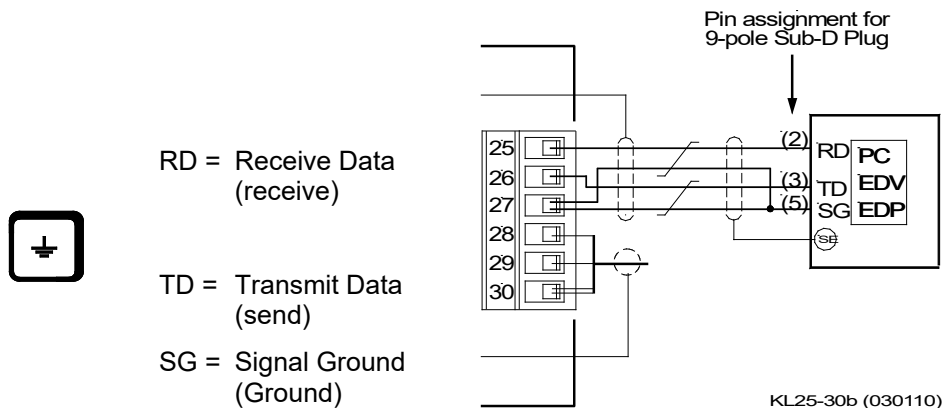


Fig. 3-11: Interfacing a HOST with several VC-1100's

### c) A HOST Communicating with Several VIBROCONTROL 1100

The HOST can control up to 205 daisy-chained VIBROCONTROL 1100's with one serial interface on the HOST.

Each VIBROCONTROL 1100 has a unique address. If a VIBROCONTROL 1100 does not receive its unique address, it passes the message to the next unit. If one unit is removed, the daisy-chain must be closed as shown in figure 10.

For more information, please consult the "Remote I/O" chapter in this manual.

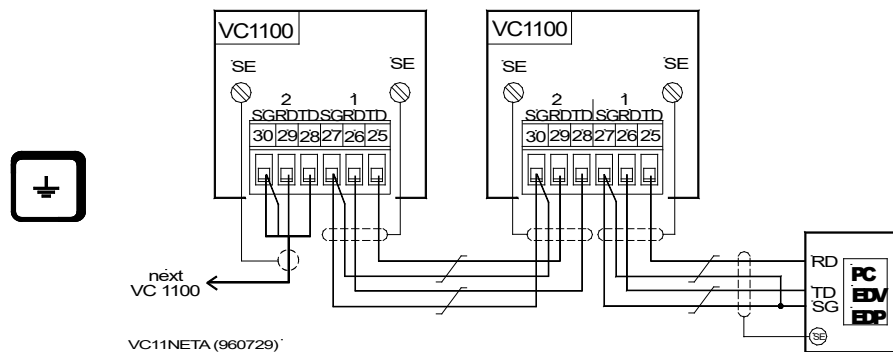


Fig. 3-12: Interfacing a HOST with several VC-1100's

Use commercially available shielded data transfer cables with two twisted pairs.

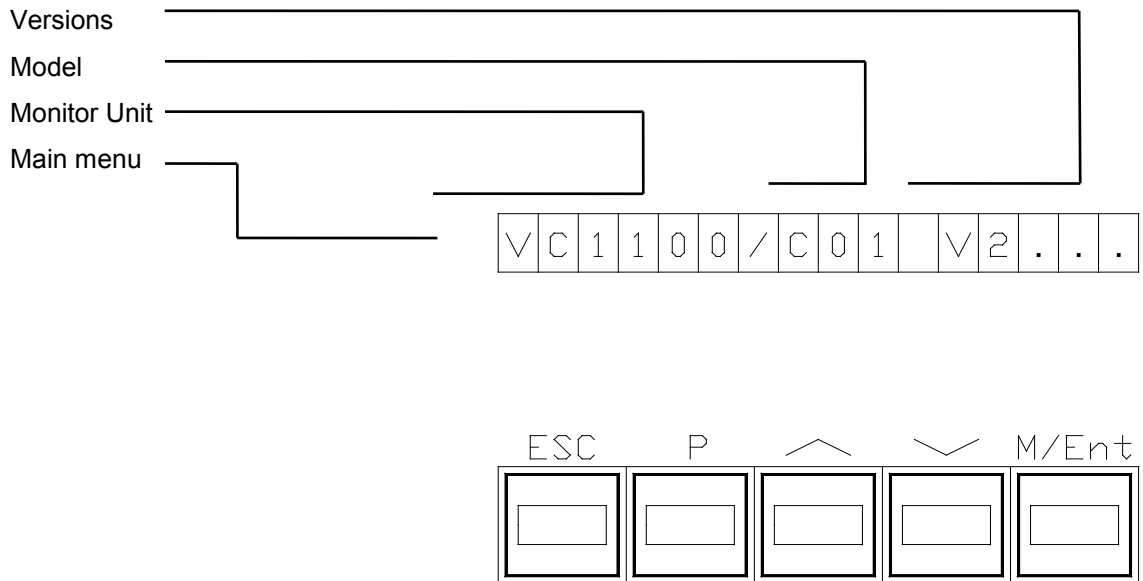
This page has been reserved for your notes.

## 4 Built-in Operating Panel and Display

Open the housing to reveal the operator panel.

### WARNING!

*Hazardous contact voltages may be present at the terminals of the VC-1100.*



VC1100/BET002 (940816)

### Display

A 16 digit alphanumeric LCD display provides access to the Measured Values, Relay Status, Log Book, and Setup Parameters.

During normal operation the display is dark. The display shown in the above figure appears after pressing any key. This display - the main menu - informs the user about the monitor unit, model and version.

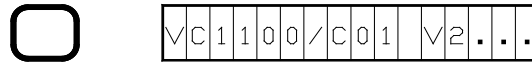
Starting from the main menu, you can access the different function modes by pressing appropriate keys.

The microprocessor returns to the main menu automatically if a key is not pressed for 15 minutes, and the display will be turned off after an additional 15 minutes of inactivity.

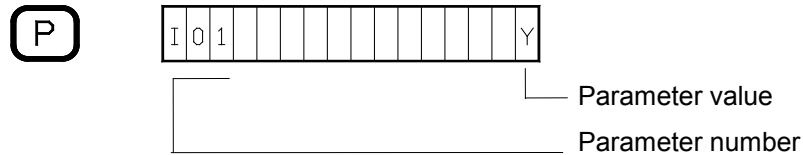
## Display Setup Parameters

Starting point

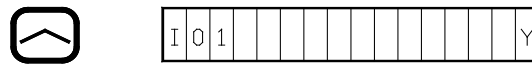
During normal operation the display is dark. The main menu will appear if any key is press.



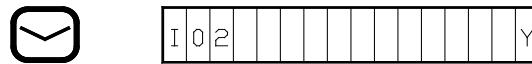
Press any key.  
The main menu appears.



Display Setup Parameters

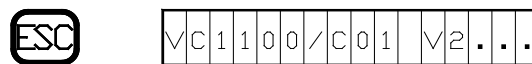


Pressing this key at this time has no effect, since I01 is the first parameter.



Step to the next parameter number.

Reach any parameter by pressing either the up or down arrow key. Press and release the key to go to the next parameter (single step). Press and hold the key if you want to scroll through the parameter numbers faster. The longer you hold a key down, the faster the parameter numbers change. The last parameter is P02.




Exit "Display Setup Parameters" mode and return to the main menu.

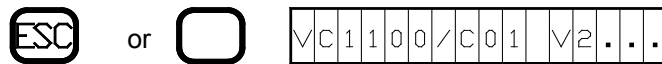


## Change Setup Parameters

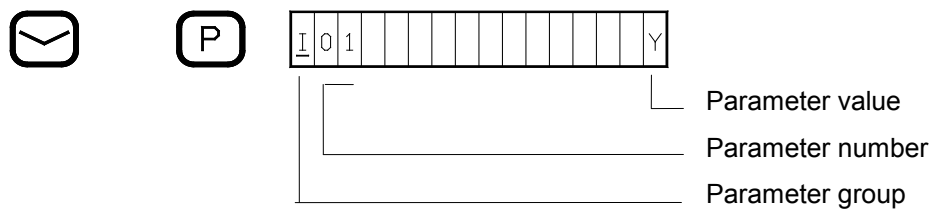
Access all modes from the main menu.

Exit a mode and return to the main menu by pressing .

If the display is dark, press any key to turn it on.





The main menu appears.



Hold the  key DOWN, then press  key.

A cursor that underlines the parameter group indicates that the parameter group and number can be changed.

Step to the next parameter number using the  and  keys.




Pressing this key at this time has no effect, since I01 is the first parameter.

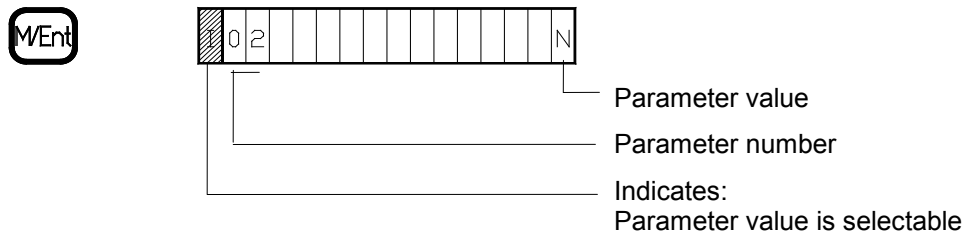


Step to the next parameter number.

Reach any parameter by pressing either the up or down arrow keys. Press and release the key to go to the next parameter (single step). Press and hold the key if you want to scroll through the parameter numbers faster. The longer you hold a key down, the faster the parameter numbers change.

The last parameter is P02.

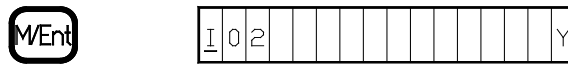
Access the change parameter value mode by pressing .



A flashing parameter group indicates change of the parameter value is allowed.



Change the parameter value using the and keys.

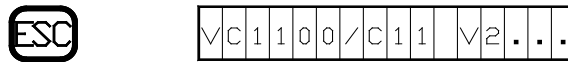


To save the shown parameter value press again. The parameter group no longer flashes. The new parameter value is in effect upon exiting to the main menu .



Step to the next parameter number.

or

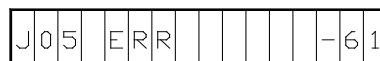


Exit "Change Setup Parameters" and return to the main menu.

The microprocessor will automatically start a consistency check for the new parameter list. This check will generate an error message if the parameters are not consistent.

### Example:

The following parameters I03 Vibration velocity sensor v  
J05 Unit of the measured parameter g



Error messages see explanations on page 16.



Confirm the error messages by pressing any key. The program will automatically show the inconsistent parameter.

Correct the error:

Press

Adjust parameter value:

Accept parameter value by pressing

Exit to main menu

If the setup is consistent, the program returns to the main menu.

If not, the display shows the next error message. Correct this error and repeat the procedure until the setup is consistent. Find explanations of error messages on pages 15 of this chapter

Escape from the change parameter value mode by pressing .

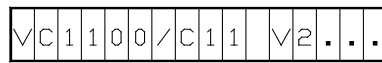


Indicates:  
Parameter value is selectable












Indicates:  
Parameter numbermode is selectable

Press to return to the select parameter number mode.



Press again to return to the main menu.

## Quick Reference to the Change Setup Parameters Mode

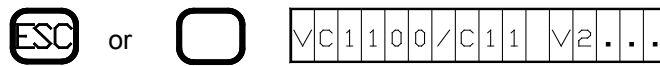
-   The start is always made from the main menu.  
Enter the "Change Setup Parameters" mode
-   Select the *parameter* you want to change.
-  **Access** the change parameter value mode
-   Change the *parameter value*.
-  Save the new parameter value.  
Change other parameters or press  to return to the main menu. If the new setup is consistent, it is accepted and it becomes the current setup and the main menu appears.

If not, an error message will appear (see previous page).

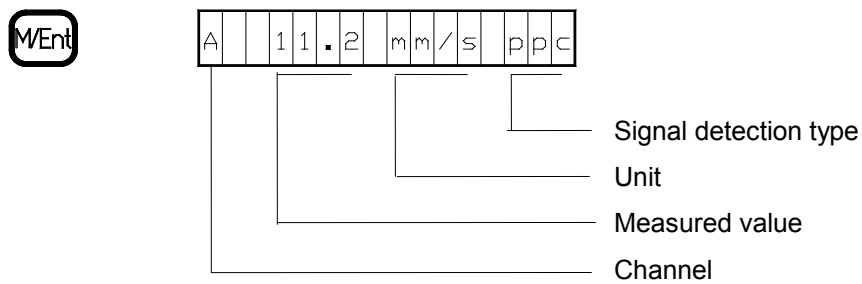
The consistency check takes about 15 s. During this time the monitoring function is suspended.

## Display Measured Values

Access all modes from the main menu. Exit a mode and return to the main menu by pressing **ESC**. If the display is dark, press any key to turn it on.



Main menu appears.



The display shows vibration level of channel A.

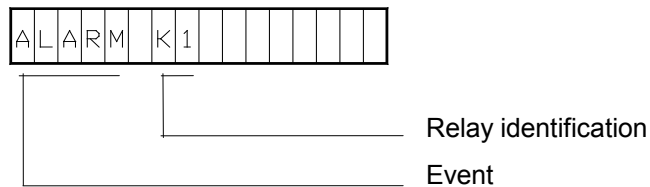
A flashing display indicates a limit value was exceeded.

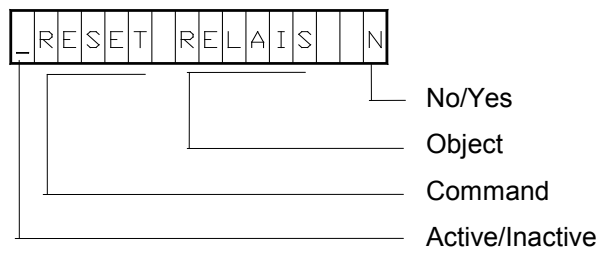


Step to next measured values:

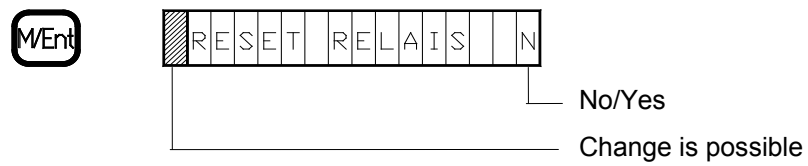
- Bearing condition channel A
- Vibration level channel B
- Bearing condition channel B


## Relay status





Step to next entry using  key, or press ...



Press  to enter the change status mode

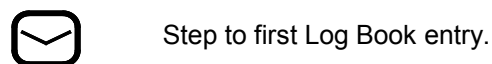
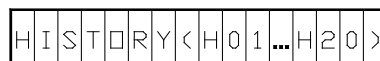
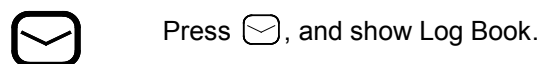


Select:

- Y:        Reset relays
- N:        Do not reset relays.



Accept reset command and return to display mode.





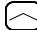
The Log Book stores up to 99 events.


After the last Log Book entry, you can delete the Log Book.

_	R	E	S	E	T		H	I	S	T	O	R	Y		N
---	---	---	---	---	---	--	---	---	---	---	---	---	---	--	---

Delete Log Book:

Press  to allow change

Select Y using  

Press  to delete the Log Book.

The Log Book is deleted


_	R	E	S	E	T		H	I	S	T	O	R	Y		Y
---	---	---	---	---	---	--	---	---	---	---	---	---	---	--	---



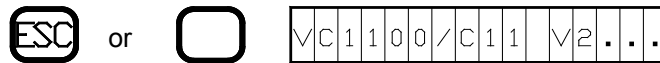
Exit the Display measured values mode and return to the main menu.

Find an explanation of the Log Book entries and events on pages 14 and 15 of this chapter.

## Service Mode

Access all modes from the main menu. Exit a mode and return to the main menu by pressing .

If the display is dark, press any key to turn it on.

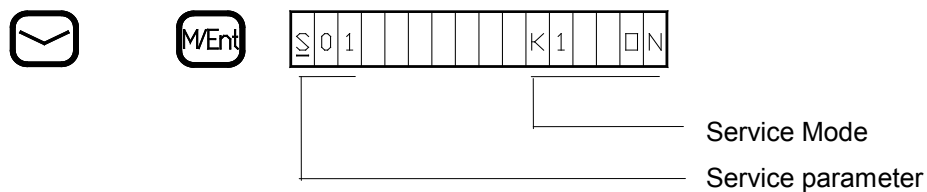


Main menu appears.

### **Before accessing the service mode,**

consider that

- the service mode suspends the measuring and monitoring modes.
- activating the relays could cause machine shut-down.

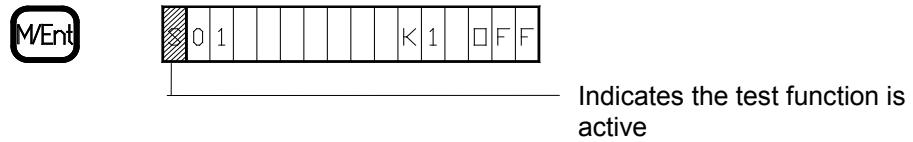


Hold down the  key, and press the  key to enter the service mode. The service functions all start with an S.



## Check Relays

The service mode provides direct access to relay activation.



Change the relay status by pressing and .

Used to check operation of devices connected to the relays.

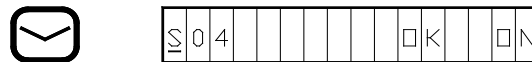
K1 off: Relay not active.  
K1 on: Relay active



Press to exit test of relay K1.

Step to next function by pressing .

Check relays K2 and K3:



Function S04 checks the OK-Relay.

OK off : OK-Relay not active.  
OK on : OK-Relay active.

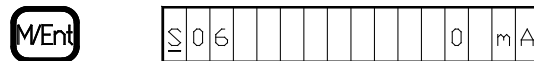
Press to exit the OK-Relay test.



Test analog output 1.

Select voltages of 0, 2, 5, or 10 Volt by pressing

Press to exit. Press to go to next test.



Test analog output 1.

Select currents of 0, 4, 12, or 20 mA by pressing

Analog output 2 is tested in the same manner.

Analog Output 2

Voltage

S07

- 0 V
- 2 V
- 5 V
- 10 V

Analog Output 2

Current

S08

- 0 mA
- 4 mA
- 12 mA
- 20 mA



Press to start the self-test. During the self-test, a count down from 10 to 0 is displayed. OK will appear on the display if the test is completed successfully.

The self-test does not suspend the monitoring mode.

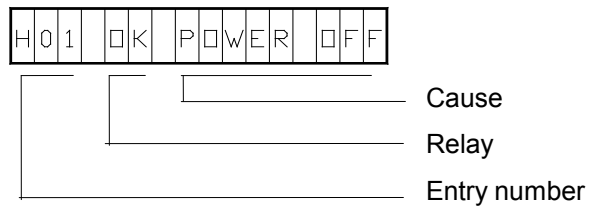


## Events

The microprocessor stores events in the Log Book using a short notation. The Log Book can store up to 99 events. When the 100th event occurs, the "oldest event" is dropped making room for the new 100th event. The Log Book events are maintained until an instruction is received to erase all entries.

All Log Book entries start with a "H" (for History) followed by a two digit running number and a short description of the event. If a relay trips, the Log Book entry identifies the relay and the cause of the relay trip.

### Example :



If the event is a logical AND combination of events, the combination is displayed. In this case, the plus sign replaces the AND.

A trip of the OK-Relay generates one of the following Log Book entries:



Event	Cause
OK POWER OFF	OK-Relay is active for 15 safter power is returned.
OK A	OK-Relay is active. Malfunction Channel A
OK B	OK-Relay is active. Malfunction Channel B

A trip of relays K1, K2, or K3 generates the following Log Book entries:

<b>Event</b>	<b>Cause</b>
<i>K1 Cause</i>	Relay K1 is active. See list of causes below.
<i>K2 Cause</i>	Relay K2 is active. See list of causes below.
<i>K3 Cause</i>	Relay K3 is active. See list of causes below.
<i>Cause</i>	
Lim1A	Channel A: Vibration exceeds lim_1
Lim2A	Channel A: Vibration exceeds lim_2
LimbA	Channel A: Bearing Condition exceeds lim_b
Lim1B	Channel B: Vibration exceeds lim_1
Lim2B	Channel B: Vibration exceeds lim_2
LimbB	Channel B: Bearing Condition exceeds lim_b

Relay resets generate Log Book entries:

<b>Event</b>	<b>Cause</b>
RESET DIALOG	Relay reset via built-in operator panel
RESET EXTERN	Relay reset via reset input
RESET RS-232	Relay reset via Remote-I/O

## Error Messages



VIBROCONTROL 1100 automatically checks for setup consistency upon exiting the "Change Setup Parameters" mode. If the setup is not consistent, an error message is displayed.

The consistency check stops at the first inconsistency detected. It assumes that the parameter with the lowest number is correct.

Therefore, a parameter other than the one displayed could be the cause of the inconsistency.

A list of error messages appears on the next page.

## Unit errors

Format: ER -nn is a number with 1 to 5 digits

Example: < ER -1<

Error code	see page 20	Meaning
-1	!	Error in operating system
-2	!	Error in operating system
-3	!	Error in operating system
-4	!	Error in operating system
-6	!	power down (last message, if time is sufficient)
-8	r	Program monitoring is out of operation or defective.
-31	r	Disrupted calibration data (run auto-calibration!)
-32	!	Error EEPROM / Hardware error
-33	!	Error ROM / Hardware error
-34	!	Error RAM / Hardware error
-35	!	Disrupted data in RAM / Hardware error
-36	k	Auto-calibration not successful / Hardware error
-37	e/r	e) No valid configuration stored in EEPROM. (Re-configure) / Hardware error
		r) If no valid configuration can be made, a hardware error is present.

## Communication errors

Error code	see page 20	Meaning (continued)
-55	w	Correct parameter specifier received, but command cannot be processed because the requested data are not available; e.g. channel not active
-57	w	received data not accepted, because: a) data is not in the list of choices. b) number (INTEGER or FLOATING POINT) is out of specified range.
-58	w	Received unit of the pickup sensitivity (I04) does not correspond to the selected pickup (e.g. mV/g and vibration velocity pickup).
-59	w	The sensitivity (I05) is too large or too small.
-60	w	The selected measured parameter (J03/J04) cannot be processed with the selected pickup (I03); e.g. vibration acceleration with vibration velocity pickup.
-61	w	The unit (J05/J06) does not correspond to the measured parameter (J03/J04); e.g. vibration displacement cannot be measured in g.
-62	w	The selected measuring range (J09/J10; J13/J14) is too small or too large.
-63	w	The limit values are smaller than 10 % or larger than 100 % of the corresponding measuring range (M09/M10; M11/M12; M13/M14).
-65	w	An analog output has been configured to output BCU's and the pickup type velocity sensor (I03) has been selected.
-68		Parameter transfer is not possible since presently another transfer is made or the self-calibration is running. Repeat the command!



## How to react to error-messages?

The 2nd column of the above list of error-messages contains the characters „k“ „r“ „!“ 2e“ and „w“. These characters show what to do if the corresponding error message occurs.

### **k**

Repeat the command.

If VIBROCONTROL 1100 repeats this error-message after several retries, there is a severe problem and the instrument must be sent to Brüel & Kjær Vibro for repair.

### **r**

Send VIBROCONTROL 1100 to Brüel & Kjær Vibro for repair.

### **!**

This error activates the OK-relay temporarily, because an automatic restart is performed.

Sporadic occurrence of this error indicates that external noise effects the unit. Check installation, especially shielding of cables and grounds.

Permanent occurrence of this error indicates a severe fault. Send unit to Brüel & Kjær Vibro for repair.

### **e**

Re-do configuration or download consistent setup. If this is not successful, send unit to Brüel & Kjær Vibro for repair.

### **w**

Repeat command using correct data.

This page has been reserved for your notes.

## 5 List of Setup Parameters

### Basic Concepts

VIBROCONTROL 1100 stores its setup parameters in non-volatile memory. The operating system uses this data to configure the analog circuits and the software modules. All data is uniquely named. We call this data "Setup Parameters" or simply "Parameters" and reference them by name. The setup parameter values can easily be changed within predefined ranges, providing a convenient way to configure the measuring and monitoring system.

VIBROCONTROL 1100 checks the consistency of the setup after leaving the "Change Setup Parameters" mode. If the setup is inconsistent, the display shows an error messages. The setup must be corrected since the VIBROCONTROL 1100 will not accept an inconsistent setup.

### Parameter list structure

Parameters are listed in sequence with a complete definition. The definition describes its function, choices, and range.

The same format is used for all parameters.

#### Example:



<b><i>K 01</i></b>	<b><i>Channel A:</i></b>	<b><i>Lower Frequency Corner</i></b>
--------------------	--------------------------	--------------------------------------

**Choices:** 1 Hz, 3 Hz, 10 Hz ISO

**Function:** Select the lower frequency corner for channel A

### Parameter specifier

All setup parameters are organized in functional groups. The "Parameter Specifier" consists of a group and a number within the group. The first character specifies the group and the two digit number specifies the individual parameter.

## Parameter Title

The "Parameter Title" is a short description of the parameter's function.

## Parameter Groups

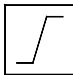
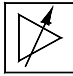
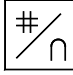
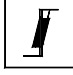

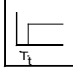

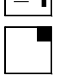
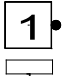
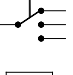
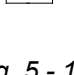

- |                |   |
|----------------|---|
| <b>Group I</b> | Channel and Sensor Selection<br>Define measuring channels<br>Sensor type and sensitivity  |
| <b>Group J</b> | Channel Configuration<br>Define measured parameters, units, signal detection type, and full scale.                                |
| <b>Group K</b> | Filter Configuration<br>Define upper and lower frequency corners.   |
| <b>Group L</b> | Analog Outputs<br>Assign measured parameters and define signal type.  |
| <b>Group M</b> | Limit Configuration<br>Define monitoring functions, limit values and delay times.   |
| <b>Group N</b> | Relay Configuration<br>Assign limit values to relays. Define relay operation.   |
| <b>Group O</b> | OK Monitoring<br>Enable/Disable   |
| <b>Group P</b> | Serial Interface<br>Define device address and baud rate.  |
| <b>Group S</b> | Service Functions<br>Check relay operation.<br>Set analog outputs to predefined levels.<br>Run self-test and<br>Self-calibration. |

## Additional Information

A functional description of the setup parameters for a group consists of text and usually a block diagram. The block diagram shows one channel only for simplicity.

The following is a list of the symbols that are used in the block diagrams, and their meaning.

### Symbols

	Range check
	Amplifier
	Digital-to-Analog Converter
	Limit value check
	Filter, exponential
	Delay time
	Logical AND
	Logical OR
	Latch
	Logical NOR
	Setup Parameters and variables
	Error message

LEGENDE E (940923)

Fig. 5 - 1: Legend

# Channel and Sensor Selection Group I

## General

Configure VIBROCONTROL 1100 as a Single- or Dual-channel monitor. Use channel A or channel B in the Single-channel mode.

In the Dual-channel mode, VIBROCONTROL 1100 only accepts sensors of the same type and sensitivity.

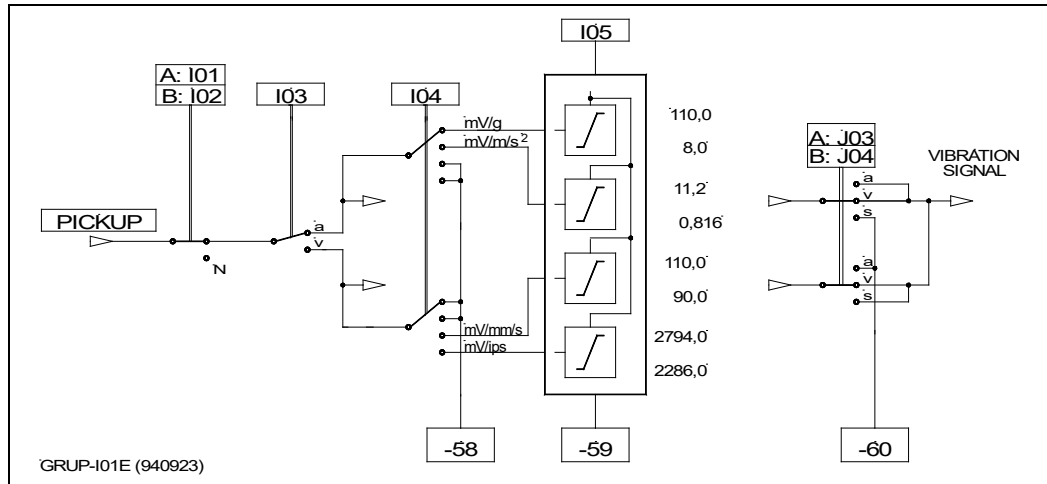


Fig. 5 - 2: Parameter Group I, Channel Selection

<b>I 01</b>	<b>Channel A</b>
-------------	------------------

- Choices: Y, N
- Function: Enable or disable Channel A.  
 Y = Yes            Channel A is active  
 N = No            Channel A is not active
- I01 = Y: For measured value acquisition, connect a sensor to channel A.
- I01 = N: Disables all measuring and monitoring functions for channel A.

<b>I 02</b>	<b>Channel B</b>
-------------	------------------

Choices: Y, N

Function: Enable or disable Channel B.  
 Y = Yes            Channel B is active  
 N = No            Channel B is not active

I02 = Y: For measured value acquisition, connect a sensor to channel B.

I02 = N: Disables all measuring and monitoring functions for channel B.

<b>I 03</b>	<b>Sensors</b>
-------------	----------------

Choices: a, v

Function: Select sensor type.  
 a = Use accelerometers.  
 v = Use vibration velocity sensors.

Use the same sensor type with the same sensitivity for channel A and B.

<b>I 04</b>	<b>Unit</b>
-------------	-------------

Choices: mV/g, mV/m/s<sup>2</sup>, mV/ips, mV/mm/s

Function: Define unit of sensor sensitivity.

I04 defines the unit of sensor sensitivity for both channels. If the unit does not match the sensor type, VIBROCONTROL 1100 generates error-message: -58.

### Select

mV/g            or mV/m/s<sup>2</sup>    for accelerometers  
 mV/mm/s       or mV/ips        for vibration velocity sensors.

<b>I 05</b>	<b>Sensitivity</b>
-------------	--------------------

Range: 0.8 ... 3750

Resolution:

0.8	...	0.999
1.00	...	9.99
10.0	...	99.9
100	...	3750

Function: Sensor sensitivity

I05 defines the sensor sensitivity for channel A and B.

VIBROCONTROL 1100 accepts sensitivities within the ranges listed in the following table:

Sensor type	Unit	min. value	max. value
Accelerometer (I03 = a)	mV/g	8.0	120
	mV/m/s <sup>2</sup>	0.8	12
Vibration Velocity (I03 = v)	mV/mm/s	15	150
	mV/ips	375	3750

<b>I 06</b>	<b>Frequency response linearization</b>
-------------	---

Choices: Y, N

Function: Y = Yes      Frequency response linearization is active  
 N = No      Frequency response linearization is not active

At a switch-on of the frequency response linearization, the vibration velocity sensor supplies an exact measurement even in low frequency ranges, e.g. measurements below the natural frequency of the sensor ( $f_0 < 8$  Hz or  $f_0 < 15$  Hz according to the sensor type).

The standard equipment of the VIBROCONTROL 1100 system comprises a frequency response linearization for sensor natural frequencies of  $f_0 = 8$  Hz. The special design for  $f_0 = 15$  Hz is identified by the adhesive label „moving coil linearization 15 Hz" which is located on the right side of the printed circuit cover underneath the grounding bar, after opening the lid.



## Signal Detection Type Group J

### General

Group J defines how the incoming vibration signal is processed and displayed.

The signal processing block diagram shows the function of the setup parameter and uses the following terms:

Vibration Signal:	Output of the vibration sensor.
Measured Parameter :	Vibration displacement, Vibration velocity, Vibration acceleration.
Unit:	Unit of the measured parameter. VIBROCONTROL 1100 uses the same unit for the limit values
Signal detection type:	rms, zero-to-peak calculated (pc), peak-to-peak calculated (ppc)

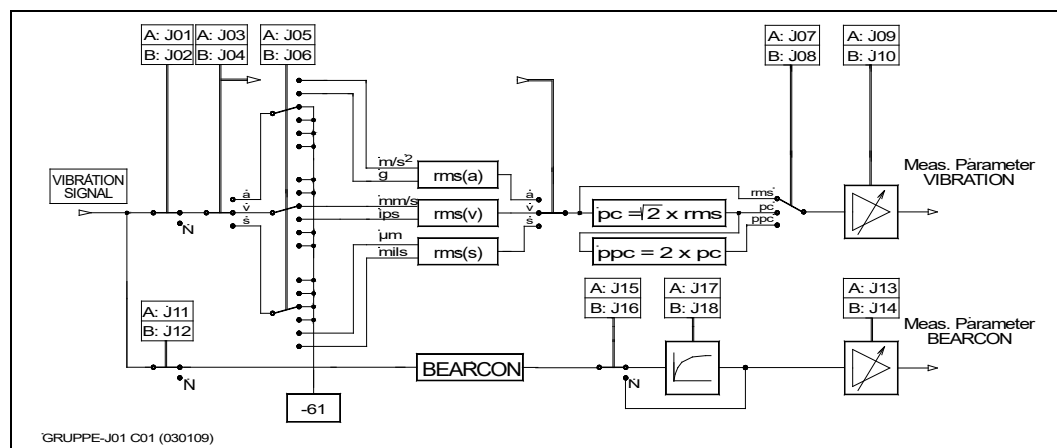


Fig. 5 - 3: Parameter Group J, Signal Detection Type

### Measuring ranges

The measuring range depends on the selected sensor type, measured parameter, and signal detection type. The range is continuously adjustable within the minimum and maximum values shown in the table.

Sensor	Unit	Measuring range					
		rms		pc		ppc	
		min	max	min	max	min	max
a	m/s <sup>2</sup>	0... 4.00	0... 800	0... 6.00	0... 999	0... 12.0	0... 999
	g	0... 0.40	0... 80.0	0... 0.60	0... 120	0... 1.20	0... 240
	mm/s	0... 5.00	0... 999	0... 7.50	0... 999	0... 15.0	0... 999
	ips	0... 0.20	0... 40.0	0... 0.30	0... 60.0	0... 0.60	0... 120
v	mm/s	0... 5.00	0... 150	0... 7.50	0... 225	0... 15.0	0... 450
	ips	0... 0.20	0... 6.00	0... 0.30	0... 9.00	0... 0.60	0... 18.0
	mm	0... 50.0	0... 333	0... 75.0	0... 500	0... 150	0... 999
	mils	0... 2.00	0... 13.3	0... 3.00	0... 20.0	0... 6.00	0... 40.0

Bearing condition (BEARCON)

a	BCU	0... 1.00	0... 140
---	-----	-----------	----------

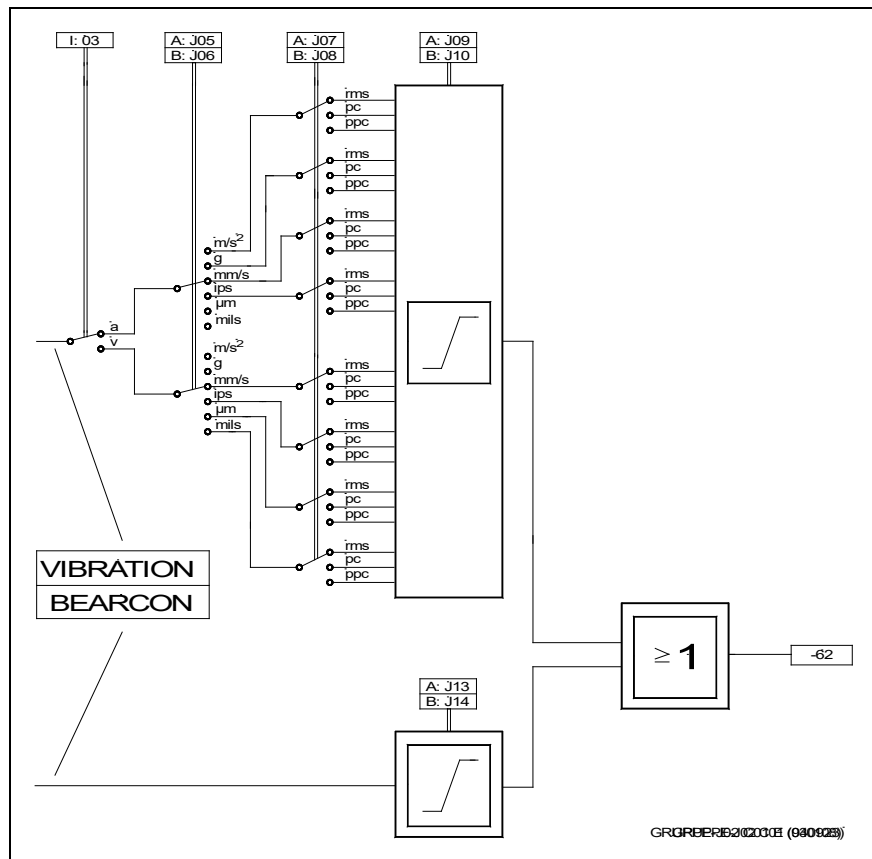


Fig. 5 - 4: Parameter Group J, Signal Detection Type

**J 01 Channel A : Vibration**

Choices: Y, N

Function: Enable or disable signal processing for channel A  
Y = Yes Channel A processes the vibration signal  
N = No Channel A does not processes the vibration signal

**J 02 Channel B : Vibration**

Choices: Y, N

Function: Enable or disable signal processing for channel B  
Y = Yes Channel B processes the vibration signal  
N = No Channel B does not processes the vibration signal

**J 03 Channel A : Measured Parameter:**

Choices: a, v, s

Function: Define the measured vibration parameter for channel A  
a = Vibration acceleration  
v = Vibration velocity  
s = Vibration displacement

**J 04 Channel B : Measured Parameter**

Choices: a, v, s

Function: Define the measured vibration parameter for channel B  
a = Vibration acceleration  
v = Vibration velocity  
s = Vibration displacement

<b>J 05</b>	<b>Channel A :</b>	<b>Unit</b>
-------------	--------------------	-------------

Choices: g, m/s<sup>2</sup>, ips, mm/s, mils, μm

Select English or metric units for the measured vibration parameter of channel A.

Select g or m/s<sup>2</sup> for vibration acceleration  
 Select ips or mm/s for vibration velocity  
 Select mils or μm for vibration dieplacement

Unit		Measured Parameter
g	m/s <sup>2</sup>	J03 = a
mm/s	ips	J03 = v
μm	mils	J03 = s

If the unit does not match the selected measured parameter (J03), the consistency check generates error-message -61.

<b>J 06</b>	<b>Channel B :</b>	<b>Unit</b>
-------------	--------------------	-------------

Choices: g, m/s<sup>2</sup>, ips, mm/s, mils, μm

Select English or metric units for the measured vibration parameter of channel B.

Select g or m/s<sup>2</sup> for vibration acceleration  
 Select ips or mm/s for vibration velocity  
 Select mils or μm for vibration dieplacement

Unit		Measured Parameter
g	m/s <sup>2</sup>	J04 = a
mm/s	ips	J04 = v
μm	mils	J04 = s

If the unit does not match the selected measured parameter (J04), the consistency check generates the error-message - 61.

<b>J 07</b>	<b>Channel A :</b>	<b>Signal Setection Type</b>
-------------	--------------------	------------------------------

Choices: rms, pc, ppc

rms = Root-mean-square value  
 pc = Zero-to-peak calculated value  
 ppc = Peak-to-peak calculated value

<b>J 08</b>	<b>Channel B :</b>	<b>Signal Selection Type</b>
-------------	--------------------	------------------------------

Choices: rms, pc, ppc

s	=	Root-mean-square value
pc	=	Zero-to-peak calculated value
ppc	=	Peak-to-peak calculated value

<b>J 09</b>	<b>Channel A :</b>	<b>Full scale (Vibration)</b>
-------------	--------------------	-------------------------------

Range: 0.200 ... 999

Resolution:	0.200...	0.999
	1.00 ...	9.99
	10.0 ...	99.9
	100 ...	999

Function: Define full scale value for the measured vibration parameter of channel A. You can use different full scale values for channel A and B.

VIBROCONTROL 1100 uses the full scale values to automatically configure the analog circuits, display functions, monitoring functions, and the analog outputs.

If you enter full scale values outside the ranges defined in the table, the consistency check generates error message -62.

<b>J 10</b>	<b>Channel B :</b>	<b>Full scale (Vibration)</b>
-------------	--------------------	-------------------------------

Range: 0 ... 999

Resolution:	0.200...	0.999
	1.00 ...	9.99
	10.0 ...	99.9
	100 ...	999

Function: Define full scale value for the measured vibration parameter of channel B. You can use different full scale values for channel A and B.  
For more information see parameter J09

**J 11 Channel A : Bearing condition (BCU)**

Choices: Y, N

Function: Enable or disable processing of BCU values for channel A  
 Y = Process BCU for channel A.  
 N = Do not process BCU for channel A.

Connect an accelerometer to channel A to measure BCU.

**J 12 Channel B : Bearing condition (BCU)**

Choices: Y, N

Function: Enable or disable processing of BCU values for channel B.  
 Y = Yes Process BCU for channel B.  
 N = No Do not process BCU for channel B.

Connect an accelerometer to channel B to measure BCU.

**J 13 Channel A : BCU Full scale:**

Range: 1 ... 140

Resolution: 1,00 ... 9,99  
 10,0 ... 99,9  
 100 ... 140

Function: Define full scale value for BCU on channel A.

VIBROCONTROL 1100 uses the full scale value to automatically configure the BCU Signal Conditioner, display functions, monitoring functions, and the analog outputs.

You can use different full scale values for channel A and B. If you enter a value outside the defined range, the consistency check generates error-message: -62.

**J 14 Channel B : BCU Full scale**

Range: 1 ... 140

Resolution: 1,00 ... 9,99  
 10,0 ... 99,9  
 100 ... 140

Function: Define full scale value for BCU on channel B.

VIBROCONTROL 1100 uses the full scale value to automatically configure the BCU Signal Conditioner, display functions, monitoring functions, and the analog outputs.

You can use different full scale values for channel A and B. If you enter values outside the defined range, the consistency check generates error-message: -62.

**J 15 Channel A : BCU Averaging**

Choices: Y, N  
Function: Enable or disable BCU Averaging  
Y = Yes Averaging is active  
N = No Averaging is not active  
Condition: Only when BCU on channel A (J11) is active.

**J 16 Channel B : BCU Averaging**

Choices: Y, N  
Function: Enable or disable BCU Averaging  
Y = Yes Averaging is active  
N = No Averaging is not active  
Condition: Only when BCU on channel B (J12) is active.

**J 17 Channel A : BCU Averaging delay**

Range: 10 ... 3600  
Dimension: Seconds  
Function: Define time constant for BCU averaging channel A.  
Condition: Averaging channel A (J15) = active.

**J 18 Channel B : BCU Averaging delay**

Range: 10 ... 3600  
Dimension: Seconds  
Function: Define time constant for BCU averaging channel B.  
Condition: Averaging channel B (J16) = active.

**J 19      Channel A :    BCU Scaling Factor:**

Range:        0.1 ... 10.0  
Dimension:    Factor  
Function:     Setting of all BCU measuring points to the same initial value  
by             means of the BCU scaling factor.

**J 20      Channel B :    BCU Scaling Factor**

Range:        0.1 ... 10.0  
Dimension:    Factor  
Function:     Setting of all BCU measuring points to the same initial value  
by             means of the BCU scaling factor.



## Filter Configuration Group K

### General

Filters eliminate frequency components of the vibration signal outside a specified frequency range. The lower and upper frequency corners define the frequency range or the bandwidth of the filter.

VIBROCONTROL 1100 provides several filters which are selected based on application. For each channel an upper and lower frequency corner is selected allowing each channel to use a different filter.

International standard ISO 2373 defines a filter that guarantees comparable readings (see also standards DIN/ISO 3945 and DIN 45 666).

VIBROCONTROL 1100 provides this type of filter.

ISO 2372 designates the frequency corners for this filter.

The ISO-Filter has an order of 3. The other filters you can select are 2nd order Butterworth-filters. The damping at the specified frequency corner is -1 dB.

<b>K 01</b>	<b>Channel A :</b>	<b>Lower Frequency Corner:</b>
-------------	--------------------	--------------------------------

Choices: 1 Hz, 3 Hz, 10 Hz ISO

Function: Select lower frequency corner for channel A.

1 Hz	=	Lower frequency corner
3 Hz	=	Lower frequency corner
10 Hz ISO	=	Lower frequency corner
* special	=	Lower frequency corner

\* Possible only if a supplementary filter is installed as an option.

<b>K 02</b>	<b>Channel B : Lower Frequency Corner</b>
-------------	---

Choices: 1 Hz, 3 Hz, 10 Hz ISO

Function: Select lower frequency corner for channel B

1 Hz	=	Lower frequency corner
3 Hz	=	Lower frequency corner
10 Hz ISO	=	Lower frequency corner
* special	=	Lower frequency corner

<b>K 03</b>	<b>Channel A : Upper Frequency Corner:</b>
-------------	--

Choices: 1000 Hz ISO, 10 kHz

Function: Select upper frequency corner for channel A.

1000 Hz ISO	=	Upper frequency corner
10 kHz	=	Upper frequency corner
* special	=	Upper frequency corner

<b>K 04</b>	<b>Channel B : Upper Frequency Corner</b>
-------------	---

Choices: 1000 Hz ISO, 10 kHz

Function: Select upper frequency corner for channel B.

1000 Hz ISO	=	Upper frequency corner
10 kHz	=	Upper frequency corner
* special	=	Upper frequency corner

\* Possible only if a supplementary filter is installed as an option.

# Analog Outputs Group L

## General

VIBROCONTROL 1100 provides two analog outputs. Select which measured parameter is sent to analog output 1 and 2.

The full scale values selected in setup parameters J09/J10 and J13/J14 determine the analog output calibration.

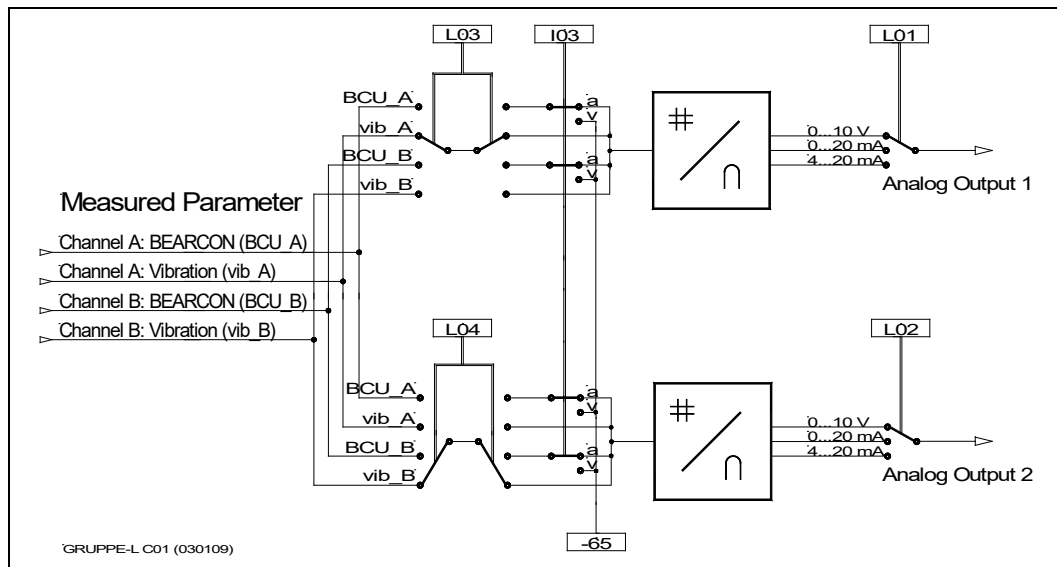


Fig. 5 - 5: Parameter Group L, Analog Outputs

You cannot select BCU values if a vibration velocity sensor is used. The consistency check will generate error message: -65.

<b>L 01</b>	<b>Analog Output 1 :</b>	<b>Signal Range</b>
-------------	--------------------------	---------------------

Choices: 0 ... 10 V, 0 ... 20 mA, 4 ... 20 mA

Function: Select signal type.

<b>L 02</b>	<b>Analog Output 2 :</b>	<b>Signal Range</b>
-------------	--------------------------	---------------------

Choices: 0 ... 10 V, 0 ... 20 mA, 4 ... 20 mA

Function: Select signal type.

<b>L 03</b>	<b>Analog Output 1 :</b>	<b>Measured Parameter</b>
-------------	--------------------------	---------------------------

Choices: vib A, BCU A, vib B, BCU B

Function: Select measured parameter sent to analog output 1.  
 vib A = Measured Parameter: Vibration Channel A  
 BCU A = Measured Parameter:  
 Bearing Condition Channel A  
 vib B = Measured Parameter: Vibration Channel B  
 BCU B = Measured Parameter:  
 Bearing Condition Channel B

<b>L 04</b>	<b>Analog Output 2 :</b>	<b>Measured Parameter</b>
-------------	--------------------------	---------------------------

Choices: vib A, BCU A, vib B, BCU B

Function: Select measured parameter sent to analog output 2.  
 vib A = Measured Parameter: Vibration Channel A  
 BCU A = Measured Parameter:  
 Bearing Condition Channel A  
 vib B = Measured Parameter: Vibration Channel B  
 BCU B = Measured Parameter:  
 Bearing Condition Channel B

<b>L 05</b>	<b>Analog Output 1 :</b>	<b>Range Full Scale</b>
-------------	--------------------------	-------------------------

Choices: 0.000 ... 999.0

Function: In connection with an indicator or a plotter, the analog output can be scaled to an optional full scale value within the present range limits.

<b>L 06</b>	<b>Analog Output 2 :</b>	<b>Range Full Scale</b>
-------------	--------------------------	-------------------------

Choices: 0.000 ... 999.0

Function: In connection with an indicator or a plotter, the analog output can be scaled to an optional full scale value within the present range limits.

## Limit Value Configuration Group M

### General

This parameter group enables or disables the monitoring functions for both channels. Three limit values can be defined for each channel; two for vibration levels and one for bearing condition. Each limit value can be enabled or disabled and its value and alarm delay time set individually.

The manual uses notations  $lim\_1$  (limit 1),  $lim\_2$  (limit 2), and  $lim\_b$  (BCU) for the limit values. The unit of the corresponding measured parameter defines the unit of the limit value.

VIBROCONTROL 1100 accepts limit values in the range of 10 % to 100 % of the corresponding full scale. The consistency check generates error-message -63 if the limit values are outside this range.

Alarm delay times are in seconds. If the measured value exceeds the limit value for a time longer than the alarm delay time, VIBROCONTROL 1100 generates an event. The event is stored in the Log Book and the assigned relay is tripped as defined in the setup.

### Warning:



When an OK error occurs, all limit relays maintain their current status. After removing the OK error and acknowledging it by "Relay reset", they perform their normal function again.

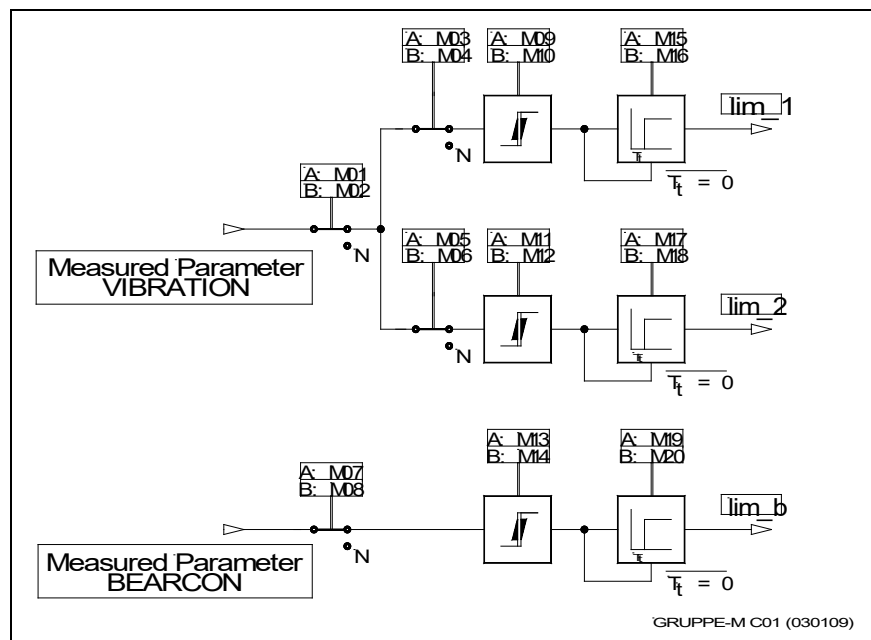


Fig. 5 - 6 : Parameter Group M, Limit Value Configuration

**M 01 Channel A : Monitoring**

Choises: Y, N

Function: Enable or disable vibration monitoring for channel A (lim\_1, lim\_2).  
Y = Monitoring for channel A is active.  
N = Monitoring for channel A is not active.

**M 02 Channel B : Monitoring**

Choises: Y, N

Function: Enable or disable vibration monitoring for channel B (lim\_1, lim\_2).  
Y = Monitoring for channel B is active.  
N = Monitoring for channel B is not active.

**M 03 Channel A : Monitor lim\_1**

Choises: Y, N

Function: Enable or disable monitoring of limit value lim\_1 A.  
Y = Monitoring lim\_1 A.  
N = Do not monitoring lim\_1 A.

**M 04 Channel B : Monitor lim\_1**

Choises: Y, N

Function: Enable or disable monitoring of limit value lim\_1 B.  
Y = Monitoring lim\_1 B.  
N = Do not monitoring lim\_1 B.

**M 05 Channel A : Monitor lim\_2**

Choises: Y, N

Function: Enable or disable monitoring of limit value lim\_2 A.  
Y = Monitoringlim\_2 A.  
N = Do not monitoring lim\_2 A.

**M 06 Channel B : Monitor lim\_2**

Choices: Y, N

Function: Enable or disable monitoring of limit value lim\_2 A.  
 Y = Monitoring lim\_2 A.  
 N = Do not monitoring lim\_2 A.

**M 07 Channel A : Monitor lim\_b**

Choices: Y, N

Function: Enable or disable monitoring of limit value lim\_b  
 (BCU channel A).  
 Y = Monitoring lim\_b.  
 N = Do not monitoring lim\_b.

**M 08 Channel B : Monitor lim\_b**

Choices: Y, N

Function: Enable or disable monitoring of limit value lim\_b  
 (BCU channel B).  
 Y = Monitoring lim\_b.  
 N = Do not monitoring lim\_b.

**M 09 Channel A : Limit value lim\_1**

Choices: 0.020 ... 999

Resolution:	0.020 ...	0.999
	1.00 ...	9.99
	10.0 ...	99.9
	100 ...	999

Function: Enter limit value lim\_1 A in the measured parameter units.

**M 10 Channel B : Limit value lim\_1**

Choices: 0.020 ... 999

Resolution:	0.020 ...	0.999
	1.00 ...	9.99
	10.0 ...	99.9
	100 ...	999

Function: Enter limit value lim\_1 B in the measured parameter units.

**M 11 Channel A : Limit value lim\_2**

Choises: 0.020 ... 999

Resolution: 0.020 ... 0.999  
 1.00 ... 9.99  
 10.0 ... 99.9  
 100 ... 999

Function: Enter limit value lim\_2 A in the measured parameter units.

**M 12 Channel B : Limit value lim\_2**

Choises: 0.020 ... 999

Resolution: 0.020 ... 0.999  
 1.00 ... 9.99  
 10.0 ... 99.9  
 100 ... 999

Function: Enter limit value lim\_2 B in the measured parameter units.

**M 13 Channel A : Limit value lim\_b**

Choises: 0.100 ... 140

Dimension: BCU

Resolution: 0.100 ... 0.999  
 1.00 ... 9.99  
 10.0 ... 99.9  
 100 ... 140

Function: Enter limit value lim\_b, for bearing condition channel A.

**M 14 Channel B : Limit value lim\_b**

Choises: 0.100 ... 140

Dimension: BCU

Resolution: 0.100 ... 0.999  
 1.00 ... 9.99  
 10.0 ... 99.9  
 100 ... 140

Function: Enter limit value lim\_b, for bearing condition channel B.



**M 15 Channel A : Alarm Delay Time lim\_1**

Choises: 1 ... 99  
Dimension: Seconds  
Function: Define alarm delay time for channel A lim\_1.

**M 16 Channel B : Alarm Delay Time lim\_1**

Choises: 1 ... 99  
Dimension: Seconds  
Function: Define alarm delay time for channel B lim\_1.

**M 17 Channel A : Alarm Delay Time lim\_2**

Choises: 1 ... 99  
Dimension: Seconds  
Function: Define alarm delay time for channel A lim\_2.

**M 18 Channel B : Alarm Delay Time lim\_2**

Choises: 1 ... 99  
Dimension: Seconds  
Function: Define alarm delay time for channel B lim\_2.

**M 19 Channel A : Alarm Delay Time lim\_b**

Choises: 3 ... 99  
Dimension: Seconds  
Function: Define alarm delay time for channel A lim\_b.

**M 20 Channel B : Alarm Delay Time lim\_b**

Choises: 3 ... 99  
Dimension: Seconds  
Function: Define alarm delay time for channel B lim\_b.

## Relay Configuration Group N

### General

VIBROCONTROL 1100 provides three relays to indicate alarm level exceedances. The relays are designated as K1, K2 and K3.

Relay operation can be defined as follows:

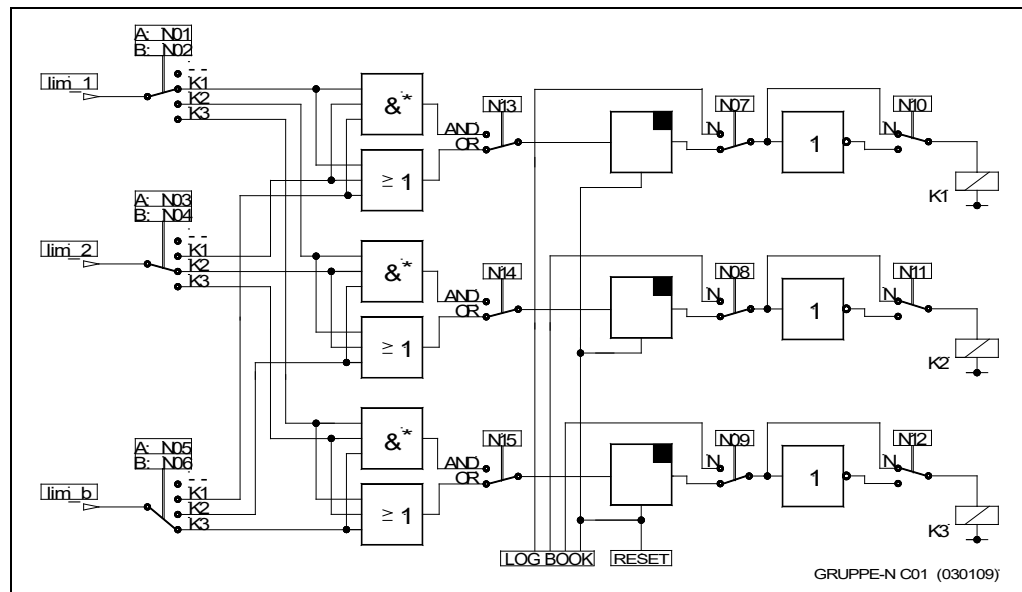


Fig. 5 - 7 : Parameter Group N, Relais Configuration

### Programmable Relay Operation:

1. Which alarm level exceedance controls which relay?
2. Latching or non-latching operation?
3. Normally energized or normally de-energized operation?
4. Logical combinations.

#### Comments to item 1:

It is common to assign alarm levels lim\_1 of channel A and B to relay K1 and alarm levels lim\_2 of channel A and B to relay K2.

#### Comments to item 2:

In the latching mode, a relay remains latched until VIBROCONTROL 1100 receives a reset command. In the non-latching mode, VIBROCONTROL 1100 resets the relays automatically when the monitored signal drops below the limit value.

### Comments to item 3:

The following table shows the contact positions for normally de-energized and normally energized relay operating modes.

Mode	No alarm	Alarm
Normally de-energized	Relay active	Relay not active
Normally energized	Relay not active	Relay active

### Comments to item 4:

If several alarm limits control one relay, combine the alarms using a logical AND or a logical OR.

#### **N 01 Channel A : lim\_1 controls relay ...**

Choices: --, K1, K2, K3

Function: Assign event "lim\_1A exceeded" to a relay  
 -- = lim\_1A does not control a relay  
 K1 = lim\_1A controls relay K1  
 K2 = lim\_1A controls relay K2  
 K3 = lim\_1A controls relay K3

#### **N 02 Channel B : lim\_1 controls relay ...**

Choices: --, K1, K2, K3

Function: Assign event "lim\_1B exceeded" to a relay  
 -- = lim\_1B does not control a relay  
 K1 = lim\_1B controls relay K1  
 K2 = lim\_1B controls relay K2  
 K3 = lim\_1B controls relay K3

#### **N 03 Channel A : lim\_2 controls relay ...**

Choices: --, K1, K2, K3

Function: Assign event "lim\_2A exceeded" to a relay  
 -- = lim\_2A does not control a relay  
 K1 = lim\_2A controls relay K1  
 K2 = lim\_2A controls relay K2  
 K3 = lim\_2A controls relay K3

<b>N 04</b>	<b>Channel B : lim_2 controls relay ...</b>
-------------	---

Choises: --, K1, K2, K3

Function: Assign event "lim\_2B exceeded" to a relay  
 -- = lim\_2B does not control a relay  
 K1 = lim\_2B controls relay K1  
 K2 = lim\_2B controls relay K2  
 K3 = lim\_2B controls relay K3

<b>N 05</b>	<b>Channel A : lim_b controls relay ...</b>
-------------	---

Choises: --, K1, K2, K3

Function: Assign event "lim\_bA exceeded" to a relay  
 -- = lim\_bA does not control a relay  
 K1 = lim\_bA controls relay K1  
 K2 = lim\_bA controls relay K2  
 K3 = lim\_bA controls relay K3

<b>N 06</b>	<b>Channel B : lim_b controls relay ...</b>
-------------	---

Choises: --, K1, K2, K3

Function: Assign event "lim\_bB exceeded" to a relay  
 -- = lim\_bB does not control a relay  
 K1 = lim\_bB controls relay K1  
 K2 = lim\_bB controls relay K2  
 K3 = lim\_bB controls relay K3

<b>N 07</b>	<b>Relais K1 : Latching</b>
-------------	-----------------------------

Choises: Y, N

Function: Select latching or non-latching operation for relay K1.  
 Y = Relay K1 latches.  
 N = Relay K1 does not latch.

<b>N 08</b>	<b>Relais K2 : Latching</b>
-------------	-----------------------------

Choises: Y, N

Function: Select latching or non-latching operation for relay K2.  
 Y = Relay K2 latches.  
 N = Relay K2 does not latch.

**N 09      Relais K3 :      Latching**

Choises:      Y, N

Function:      Select latching or non-latching operation for relay K3.  
Y = Relay K3 latches.  
N = Relay K3 does not latch.

**N 10      Relais K1 :      Normally Energized**

Choises:      Y, N

Function:      Select normally energized or normally de-energized  
mode for relay K1  
Y = Relay K1 operates normally energized.  
N = Relay K1 operates normally de-energized.

**N 11      Relais K2 :      Normally Energized**

Choises:      Y, N

Function:      Select normally energized or normally de-energized  
mode for relay K2.  
Y = Relay K2 operates normally energized.  
N = Relay K2 operates normally de-energized.

**N 12      Relais K3 :      Normally Energized**

Choises:      Y, N

Function:      Select normally energized or normally de-energized  
mode for relay K3.  
Y = Relay K3 operates normally energized.  
N = Relay K3 operates normally de-energized.

**N 13      Relais K1 :      Logic**

Choises:      OR, AND

Function:      Define how several alarm level exceedances control  
relay K1  
OR      =      Exceedance of at least one of the assigned  
alarm levels trips relay K1.  
AND     =      Only exceedance of all assigned alarm levels  
trips relay K1.

<b>N 14</b>	<b>Relais K2 :</b>	<b>Logic</b>
-------------	--------------------	--------------

Choises: OR, AND

Function: Define how several alarm level exceedances control relay K2.  
OR = Exceedance of at least one of the assigned alarm levels trips relay K2.  
AND = Only exceedance of all assigned alarm levels trips relay K2.

<b>N 15</b>	<b>Relais K3 :</b>	<b>Logic</b>
-------------	--------------------	--------------

Choises: OR, AND

Function: Define how several alarm level exceedances control relay K3.  
OR = Exceedance of at least one of the assigned alarm levels trips relay K3.  
AND = Only exceedance of all assigned alarm levels trips relay K3.

## OK-Monitoring Group      O

### General

VIBROCONTROL 1100 has a cyclic self-monitoring routine.

This routine tests the sensors and the cables between VIBROCONTROL 1100 and the sensors. The sensor signal is checked to verify that it remains within a predefined range. This method detects errors such as disconnected sensors, broken cables and shorts. If an OK error occurs, the OK relay is tripped and the event is stored in the Log Book.

### Note:

When vibration velocity sensors with moving coil are used, lead breakage or short-circuit cannot usually be recognized. A constant current is thus superposed to the measuring signal. This current effects a direct voltage drop of approx. 1 V in the VIBROCONTROL 1100. This voltage drop is measured as OK voltage.

The OK relay is configured to the normally energized mode. In this mode a power failure at the VIBROCONTROL 1100 will trip the OK relay to the alarm position.

In special cases, for example if line drivers or isolation amplifiers are used, it might be necessary to disable the OK monitoring function for the sensors. Therefore, VIBROCONTROL 1100 provides for disabling this function. This has no effect on other self-monitoring functions.

<b>O 01</b>	<b>Channel A : OK Monitoring</b>
-------------	----------------------------------

Choices: Y, N

Function: Enable or disable OK monitoring of the sensor on channel A.  
Y = OK monitoring for sensor channel A is active  
N = OK monitoring for sensor channel A is not active

<b>O 02</b>	<b>Channel B : OK Monitoring</b>
-------------	----------------------------------

Choices: Y, N

Function: Enable or disable OK monitoring of the sensor on channel B.  
Y = OK monitoring for sensor channel B is active  
N = OK monitoring for sensor channel B is not active

<b>O 03</b>	<b>Channel A : OK-Lower Limit</b>
-------------	-----------------------------------

Choices: -23 V ... + 23 V

Function: The OK-limits are only settable for acceleration sensors.

**O 04 Channel B : OK- Lower Limit**

Choices: -23 V ... + 23 V

Function: The OK-limits are only settable for acceleration sensors.

**O 05 Channel A : OK-Upper Limit**

Choices: -23 V ... + 23 V

Function: The OK-limits are only settable for acceleration sensors.

**O 06 Channel B : OK- Upper Limit**

Choices: -23 V ... + 23 V

Function: The OK-limits are only settable for acceleration sensors.

## Note for the definition of the OK-limits

If the input value of the OK-upper value is smaller than the input value for the OK-lower value, an OK error message is displayed.

The typical setting values for the OK-upper limit and the OK-lower limit are dependent on the sensor type. For Brüel & Kjær Vibro sensors the following settings are recommended:

### Velocity sensor (series VS - ...)

OK-upper limit: 2.5

OK-lower limit: 0.5

### Acceleration sensor (series AS - ...)

OK-upper limit: - 1

OK-lower limit: -20



## Serial Interface Group P

<b>P 00</b>	<b>Remote I/O</b>	<b>:</b>	<b>Device Address</b>
-------------	-------------------	----------	-----------------------

Choises: 1 ... 205

Function: Define a unique address for each VIBROCONTROL 1100

<b>P 01</b>	<b>Serial Port 1</b>	<b>:</b>	<b>Baud rate</b>
-------------	----------------------	----------	------------------

Choises: 1200, 2400, 4800, 9600

Unit: Bit/s

Function: 1200 = Baud rate: 1200 Bd  
2400 = Baud rate: 2400 Bd  
4800 = Baud rate: 4800 Bd  
9600 = Baud rate: 9600 Bd

<b>P 02</b>	<b>Serial Port 2</b>	<b>:</b>	<b>Baud rate</b>
-------------	----------------------	----------	------------------

Choises: 1200, 2400, 4800, 9600

Unit: Bit/s

Function: Select baud rate for serial port 1.  
1200 = Baud rate: 1200 Bd  
2400 = Baud rate: 2400 Bd  
4800 = Baud rate: 4800 Bd  
9600 = Baud rate: 9600 Bd

## Service Functions Gruppe S

### General

VIBROCONTROL 1100 provides direct access to the relays and analog outputs. Use these functions to test the connected peripherals including wiring.

These functions also help programmers of process control systems to verify the interface with VIBROCONTROL 1100. Additionally, VIBROCONTROL 1100 itself can be tested using the self-test and self-calibration functions.

#### **Warning**

The service functions suspend all measuring and monitoring functions. Changing relay outputs could cause machine shutdown !

### Relay Test

Switch each relay to the "active" and "inactive" position . Test the reaction of the system in both positions. Repeat the procedure for all relays including the OK- relay.

### Analog Output Test

Set each analog output to a predefined output voltage or current. Check to see if the same levels are displayed, for example on the analog meter in the control room.

### Self-test

The self-test takes about 15 seconds. During this test the most important modules of the microprocessor system are checked, including stored data. "Test" is displayed during the test along with a countdown from 10 to 0. The self-test is not interruptible.

Normally, "TEST ok" is displayed at the end of the self-test. Press any key to continue. If the self-test detects an error, the error message is displayed for x seconds and automatically restarts the system.

The error message is stored in the Log Book.

### Self-calibration

The self-calibration program takes about 15 minutes. During this time, the signal conditioners, multiplexers, and analog-to-digital converters, etc. are checked using an internally generated test signal.

This program does not have access to the input and output modules like relays, pre-amplifiers, and amplifiers for the analog outputs. Use the relay and analog output tests to check these functions.

"Calibration" is displayed during the self-calibration along with a number indicating the current test. This program is not interruptible. Remember that during self-calibration all measuring and monitoring functions are suspended.

The status of the relays and analog outputs does not change during the self-calibration.

<b>S 01</b>	<b>Relay K1 :</b>	<b>Test</b>
-------------	-------------------	-------------

Choises: K1 on, K1 off

Funktion: Test relay K1.  
K1 on = Relay K1 is active  
K1 off = Relay K1 is not active.

<b>S 02</b>	<b>Relay K2 :</b>	<b>Test</b>
-------------	-------------------	-------------

Choises: K2 on, K2 off

Funktion: Test relay K2.  
K2 on = Relay K2 is active  
K2 off = Relay K2 is not active abgefallen.

<b>S 03</b>	<b>Relay K3 :</b>	<b>Test</b>
-------------	-------------------	-------------

Choises: K3 on, K3 off

Funktion: Test relay K3.  
K3 on = Relay K3 is active  
K2 off = Relay K3 is not active abgefallen.

<b>S 04</b>	<b>OK-Relay :</b>	<b>Test</b>
-------------	-------------------	-------------

Choises: OK on, OK off

Funktion: Test OK-relay.  
OK on = OK-Relay is active  
OK off = OK-Relay is not active

<b>S 05</b>	<b>Analog-Output 1 :</b>	<b>Output voltage</b>
-------------	--------------------------	-----------------------

Choises: 0 V, 2 V, 5 V, 10 V

Funktion: Set the output voltage level on analog output 1.  
0 V = The output voltage is 0 Volt  
2 V = The output voltage is 2 Volt  
5 V = The output voltage is 5 Volt  
10 V = The output voltage is 10 Volt

**S 06      Analog-Output 1 :      Output current**

Choises:      0 mA, 4 mA, 12 mA, 20 mA

Funktion:      Set the output current level on analog output 1.  
0 mA    = The output current is 0 mA  
4 mA    = The output current is 4 mA  
12 mA   = The output current is 12 mA  
20 mA   = The output current is 20 mA

**S 07      Analog-Output 2 :      Output voltage**

Choises:      0 V, 2 V, 5 V, 10 V

Funktion:      Set the output voltage level on analog output 2.  
0 V      = The output voltage is 0 Volt  
2 V      = The output voltage is 2 Volt  
5 V      = The output voltage is 5 Volt  
10 V     = The output voltage is 10 Volt

**S 08      Analog- Output 2 :      Output current**

Choises:      0 mA, 4 mA, 12 mA, 20 mA

Funktion:      Set the output current level on analog output 2.  
0 mA    = The output current is 0 mA  
4 mA    = The output current is 4 mA  
12 mA   = The output current is 12 mA  
20 mA   = The output current is 20 mA

**S 09      TEST**

Funktion:      Start self-test of VIBROCONTROL 1100.

**S 10      CALIBRATION**

Funktion:      Start self-calibration of VIBROCONTROL 1100.

## Parameter Configuration Standard

Plant : VC 1100  
 Version : VC VC 1100 V 2.02  
 Name :

C01 230 V / C02 24 V

Date: .....

### Channel and Sensor Selection - Group I

I01	Channel A	Y <input checked="" type="checkbox"/>	N <input type="checkbox"/>		
I02	Channel B	Y <input checked="" type="checkbox"/>	N <input type="checkbox"/>		
I03	Sensor	a <input checked="" type="checkbox"/>	v <input type="checkbox"/>		
I04	Unit	mV/g <input checked="" type="checkbox"/>	mV/m/s <sup>2</sup> <input type="checkbox"/>	mV/mm/s <input type="checkbox"/>	mV/ips <input type="checkbox"/>
I05	Sensitivity	[ _____ ]			
I06	Frequency response linearization	Y <input type="checkbox"/>	N <input checked="" type="checkbox"/>		

### Channel Configuration - Group J

J01	Channel A: Vibration	Y <input checked="" type="checkbox"/>	N <input type="checkbox"/>		
J02	Channel B: Vibration	Y <input checked="" type="checkbox"/>	N <input type="checkbox"/>		
J03	Channel A: Parameter	a <input type="checkbox"/>	v <input checked="" type="checkbox"/>	s <input type="checkbox"/>	
J04	Channel B: Parameter	a <input type="checkbox"/>	v <input checked="" type="checkbox"/>	s <input type="checkbox"/>	
J05	Channel A: Unit	g <input type="checkbox"/>	m/s <sup>2</sup> <input type="checkbox"/>	mm/s <input checked="" type="checkbox"/>	
		ips <input type="checkbox"/>	mm <input type="checkbox"/>	mils <input type="checkbox"/>	
J06	Channel B: Unit	g <input type="checkbox"/>	m/s <sup>2</sup> <input type="checkbox"/>	mm/s <input checked="" type="checkbox"/>	
		ips <input type="checkbox"/>	mm <input type="checkbox"/>	mils <input type="checkbox"/>	
J07	Channel A: Signal Detection	rms <input checked="" type="checkbox"/>	pc <input type="checkbox"/>	ppc <input type="checkbox"/>	
J08	Channel B: Signal Detection	rms <input checked="" type="checkbox"/>	pc <input type="checkbox"/>	ppc <input type="checkbox"/>	
J09	Channel A: Full Scale	[ _____ 20.00 _____ ]			
J10	Channel B: Full Scale	[ _____ 20.00 _____ ]			
J11	Channel A: Bearing Condition (BCU)	Y <input checked="" type="checkbox"/>	N <input type="checkbox"/>		
J12	Channel B: Bearing Condition (BCU)	Y <input checked="" type="checkbox"/>	N <input type="checkbox"/>		
J13	Channel A: BCU Full Scale	[ _____ 2.000 _____ ]			
J14	Channel B: BCU Full Scale	[ _____ 2.000 _____ ]			
J15	Channel A: BCU Averaging (BCU)	Y <input type="checkbox"/>	N <input checked="" type="checkbox"/>		
J16	Channel B: BCU Averaging (BCU)	Y <input type="checkbox"/>	N <input checked="" type="checkbox"/>		
J17	Channel A: Mean time (BCU)	[ _____ 20 _____ ]			
J18	Channel B: Mean time (BCU)	[ _____ 20 _____ ]			
J19	Channel A: BCU Scaling Factor	[ _____ 1.000 _____ ]			
J20	Channel B: BCU Scaling Factor	[ _____ 1.000 _____ ]			

### Filter Configuration - Group K

K01	Channel A: Low cutoff frequency	1Hz <input type="checkbox"/>	3Hz <input type="checkbox"/>	10Hz ISO <input checked="" type="checkbox"/>	* Spec. <input type="checkbox"/>
K02	Channel B: Low cutoff frequency	1Hz <input type="checkbox"/>	3Hz <input type="checkbox"/>	10Hz ISO <input checked="" type="checkbox"/>	* Spec. <input type="checkbox"/>
K03	Channel A: High cutoff frequency	10kHz <input type="checkbox"/>	1kHz ISO <input checked="" type="checkbox"/>	* Spec. <input type="checkbox"/>	
K04	Channel B: High cutoff frequency	10kHz <input type="checkbox"/>	1kHz ISO <input checked="" type="checkbox"/>	* Spec. <input type="checkbox"/>	

### Analog Output - Group L

L01	Analog Output 1:	0..10V <input checked="" type="checkbox"/>	0..20mA <input type="checkbox"/>	4..20mA <input type="checkbox"/>	
L02	Analog Output 2:	0..10V <input checked="" type="checkbox"/>	0..20mA <input type="checkbox"/>	4..20mA <input type="checkbox"/>	
L03	Analog Output 1: Parameter	vib_A <input checked="" type="checkbox"/>	BCU_A <input type="checkbox"/>	vib_B <input type="checkbox"/>	BCU_B <input type="checkbox"/>
L04	Analog Output 2: Parameter	vib_A <input type="checkbox"/>	BCU_A <input type="checkbox"/>	vib_B <input checked="" type="checkbox"/>	BCU_B <input type="checkbox"/>
L05	Analog Output 1: Full Scale	[ _____ 20.00 _____ ]			
L06	Analog Output 2: Full Scale	[ _____ 20.00 _____ ]			

\* Possible only if a supplementary filter is installed as an option.

**Limit Configuration - Group M**

M01	Channel A: Monitoring	Y	<input checked="" type="checkbox"/>	N	<input type="checkbox"/>
M02	Channel B: Monitoring	Y	<input checked="" type="checkbox"/>	N	<input type="checkbox"/>
M03	Channel A: Monitor lim_1	Y	<input checked="" type="checkbox"/>	N	<input type="checkbox"/>
M04	Channel B: Monitor lim_1	Y	<input checked="" type="checkbox"/>	N	<input type="checkbox"/>
M05	Channel A: Monitor lim_2	Y	<input checked="" type="checkbox"/>	N	<input type="checkbox"/>
M06	Channel B: Monitor lim_2	Y	<input checked="" type="checkbox"/>	N	<input type="checkbox"/>
M07	Channel A: Monitor lim_b	Y	<input type="checkbox"/>	N	<input checked="" type="checkbox"/>
M08	Channel B: Monitor lim_b	Y	<input type="checkbox"/>	N	<input checked="" type="checkbox"/>
M09	Channel A: Value lim_1		<input type="text" value="10.00"/>		
M10	Channel B: Value lim_1		<input type="text" value="10.00"/>		
M11	Channel A: Value lim_2		<input type="text" value="15.00"/>		
M12	Channel B: Value lim_2		<input type="text" value="15.00"/>		
M13	Channel A: Value lim_b		<input type="text" value="4.000"/>		
M14	Channel B: Value lim_b		<input type="text" value="5.000"/>		
M15	Channel A: Delay Time lim_1		<input type="text" value="1"/>		
M16	Channel B: Delay Time lim_1		<input type="text" value="1"/>		
M17	Channel A: Delay Time lim_2		<input type="text" value="1"/>		
M18	Channel B: Delay Time lim_2		<input type="text" value="1"/>		
M19	Channel A: Delay Time lim_b		<input type="text" value="7"/>		
M20	Channel B: Delay Time lim_b		<input type="text" value="8"/>		

**Relay Configuration - Group N**

N01	Channel A: lim_1 assigned to	--	<input type="checkbox"/>	K1	<input checked="" type="checkbox"/>	K2	<input type="checkbox"/>	K3	<input type="checkbox"/>
N02	Channel B: lim_1 assigned to	--	<input type="checkbox"/>	K1	<input checked="" type="checkbox"/>	K2	<input type="checkbox"/>	K3	<input type="checkbox"/>
N03	Channel A: lim_2 assigned to	--	<input type="checkbox"/>	K1	<input type="checkbox"/>	K2	<input checked="" type="checkbox"/>	K3	<input type="checkbox"/>
N04	Channel B: lim_2 assigned to	--	<input type="checkbox"/>	K1	<input type="checkbox"/>	K2	<input checked="" type="checkbox"/>	K3	<input type="checkbox"/>
N05	Channel A: lim_b assigned to	--	<input type="checkbox"/>	K1	<input type="checkbox"/>	K2	<input type="checkbox"/>	K3	<input checked="" type="checkbox"/>
N06	Channel B: lim_b assigned to	--	<input type="checkbox"/>	K1	<input type="checkbox"/>	K2	<input type="checkbox"/>	K3	<input checked="" type="checkbox"/>
N07	Relay K1: Latching	Y	<input checked="" type="checkbox"/>	N	<input type="checkbox"/>				
N08	Relay K2: Latching	Y	<input checked="" type="checkbox"/>	N	<input type="checkbox"/>				
N09	Relay K3: Latching	Y	<input checked="" type="checkbox"/>	N	<input type="checkbox"/>				
N10	Relay K1: Normally Energized	Y	<input checked="" type="checkbox"/>	N	<input type="checkbox"/>				
N11	Relay K2: Normally Energized	Y	<input checked="" type="checkbox"/>	N	<input type="checkbox"/>				
N12	Relay K3: Normally Energized	Y	<input checked="" type="checkbox"/>	N	<input type="checkbox"/>				
N13	Relay K1: Logic	AND	<input type="checkbox"/>	OR	<input checked="" type="checkbox"/>				
N14	Relay K2: Logic	AND	<input type="checkbox"/>	OR	<input checked="" type="checkbox"/>				
N15	Relay K3: Logic	AND	<input type="checkbox"/>	OR	<input checked="" type="checkbox"/>				

**OK Monitoring - Group O**

O01	Channel A: OK-Monitoring	Y	<input checked="" type="checkbox"/>	N	<input type="checkbox"/>
O02	Channel B: OK-Monitoring	Y	<input checked="" type="checkbox"/>	N	<input type="checkbox"/>
O03	Channel A: OK-Lower Limit		<input type="text" value="-21.0000"/>		
O04	Channel B: OK-Lower Limit		<input type="text" value="-21.0000"/>		
O05	Channel A: OK-Upper Limit		<input type="text" value="-2.0000"/>		
O06	Channel B: OK-Upper Limit		<input type="text" value="-2.0000"/>		

**Baud Rate for Serial Interface - Group P**

P00	Device Address		<input type="text" value="1"/>						
P01	Serial Port 1:	9600	<input checked="" type="checkbox"/>	4800	<input type="checkbox"/>	2400	<input type="checkbox"/>	1200	<input type="checkbox"/>
P02	Serial Port 2:	9600	<input checked="" type="checkbox"/>	4800	<input type="checkbox"/>	2400	<input type="checkbox"/>	1200	<input type="checkbox"/>

## Parameter Configuration Standard

Plant : VC 1100  
 Version : VC VC 1100 V 2.02  
 Name :

C11 230 V / C12 24 V

Date: .....

### Channel and Sensor Selection - Group I

I01	Channel A	Y <input checked="" type="checkbox"/>	N <input type="checkbox"/>		
I02	Channel B	Y <input checked="" type="checkbox"/>	N <input type="checkbox"/>		
I03	Sensor	a <input checked="" type="checkbox"/>	v <input type="checkbox"/>		
I04	Unit	mV/g <input checked="" type="checkbox"/>	mV/m/s <sup>2</sup> <input type="checkbox"/>	mV/mm/s <input type="checkbox"/>	mV/ips <input type="checkbox"/>
I05	Sensitivity	[ 100.0 ]			
I06	Frequency response linearization	Y <input type="checkbox"/>	N <input checked="" type="checkbox"/>		

### Channel Configuration - Group J

J01	Channel A: Vibration	Y <input checked="" type="checkbox"/>	N <input type="checkbox"/>		
J02	Channel B: Vibration	Y <input checked="" type="checkbox"/>	N <input type="checkbox"/>		
J03	Channel A: Parameter	a <input type="checkbox"/>	v <input checked="" type="checkbox"/>	s <input type="checkbox"/>	
J04	Channel B: Parameter	a <input type="checkbox"/>	v <input checked="" type="checkbox"/>	s <input type="checkbox"/>	
J05	Channel A: Unit	g <input type="checkbox"/>	m/s <sup>2</sup> <input type="checkbox"/>	mm/s <input checked="" type="checkbox"/>	
		ips <input type="checkbox"/>	mm <input type="checkbox"/>	mils <input type="checkbox"/>	
J06	Channel B: Unit	g <input type="checkbox"/>	m/s <sup>2</sup> <input type="checkbox"/>	mm/s <input checked="" type="checkbox"/>	
		ips <input type="checkbox"/>	mm <input type="checkbox"/>	mils <input type="checkbox"/>	
J07	Channel A: Signal Detection	rms <input checked="" type="checkbox"/>	pc <input type="checkbox"/>	ppc <input type="checkbox"/>	
J08	Channel B: Signal Detection	rms <input checked="" type="checkbox"/>	pc <input type="checkbox"/>	ppc <input type="checkbox"/>	
J09	Channel A: Full Scale	[ 20.00 ]			
J10	Channel B: Full Scale	[ 20.00 ]			
J11	Channel A: Bearing Condition (BCU)	Y <input type="checkbox"/>	N <input type="checkbox"/>		
J12	Channel B: Bearing Condition (BCU)	Y <input type="checkbox"/>	N <input type="checkbox"/>		
J13	Channel A: BCU Full Scale	[ ]			
J14	Channel B: BCU Full Scale	[ ]			
J15	Channel A: BCU Averaging (BCU)	Y <input type="checkbox"/>	N <input type="checkbox"/>		
J16	Channel B: BCU Averaging (BCU)	Y <input type="checkbox"/>	N <input type="checkbox"/>		
J17	Channel A: Mean time (BCU)	[ ]			
J18	Channel B: Mean time (BCU)	[ ]			
J19	Channel A: BCU Scaling Factor	[ ]			
J20	Channel B: BCU Scaling Factor	[ ]			

### Filter Configuration - Group K

K01	Channel A: Low cutoff frequency	1Hz <input type="checkbox"/>	3Hz <input type="checkbox"/>	10Hz ISO <input checked="" type="checkbox"/>	* Spec. <input type="checkbox"/>
K02	Channel B: Low cutoff frequency	1Hz <input type="checkbox"/>	3Hz <input type="checkbox"/>	10Hz ISO <input checked="" type="checkbox"/>	* Spec. <input type="checkbox"/>
K03	Channel A: High cutoff frequency	10kHz <input type="checkbox"/>	1kHz ISO <input checked="" type="checkbox"/>	* Spec. <input type="checkbox"/>	
K04	Channel B: High cutoff frequency	10kHz <input type="checkbox"/>	1kHz ISO <input checked="" type="checkbox"/>	* Spec. <input type="checkbox"/>	

### Analog Output - Group L

L01	Analog Output 1:	0..10V <input checked="" type="checkbox"/>	0..20mA <input type="checkbox"/>	4..20mA <input type="checkbox"/>	
L02	Analog Output 2:	0..10V <input checked="" type="checkbox"/>	0..20mA <input type="checkbox"/>	4..20mA <input type="checkbox"/>	
L03	Analog Output 1: Parameter	vib_A <input checked="" type="checkbox"/>	BCU_A <input type="checkbox"/>	vib_B <input type="checkbox"/>	BCU_B <input type="checkbox"/>
L04	Analog Output 2: Parameter	vib_A <input type="checkbox"/>	BCU_A <input type="checkbox"/>	vib_B <input checked="" type="checkbox"/>	BCU_B <input type="checkbox"/>
L05	Analog Output 1: Full Scale	[ 20.00 ]			
L06	Analog Output 2: Full Scale	[ 20.00 ]			

\* Possible only if a supplementary filter is installed as an option.

**Limit Configuration - Group M**

M01	Channel A: Monitoring	Y	<input checked="" type="checkbox"/>	N	<input type="checkbox"/>
M02	Channel B: Monitoring	Y	<input checked="" type="checkbox"/>	N	<input type="checkbox"/>
M03	Channel A: Monitor lim_1	Y	<input checked="" type="checkbox"/>	N	<input type="checkbox"/>
M04	Channel B: Monitor lim_1	Y	<input checked="" type="checkbox"/>	N	<input type="checkbox"/>
M05	Channel A: Monitor lim_2	Y	<input checked="" type="checkbox"/>	N	<input type="checkbox"/>
M06	Channel B: Monitor lim_2	Y	<input checked="" type="checkbox"/>	N	<input type="checkbox"/>
M07	Channel A: Monitor lim_b	Y	<input type="checkbox"/>	N	<input type="checkbox"/>
M08	Channel B: Monitor lim_b	Y	<input type="checkbox"/>	N	<input type="checkbox"/>
M09	Channel A: Value lim_1		<input type="text" value="10.00"/>		
M10	Channel B: Value lim_1		<input type="text" value="10.00"/>		
M11	Channel A: Value lim_2		<input type="text" value="15.00"/>		
M12	Channel B: Value lim_2		<input type="text" value="15.00"/>		
M13	Channel A: Value lim_b		<input type="text"/>		
M14	Channel B: Value lim_b		<input type="text"/>		
M15	Channel A: Delay Time lim_1		<input type="text" value="1"/>		
M16	Channel B: Delay Time lim_1		<input type="text" value="1"/>		
M17	Channel A: Delay Time lim_2		<input type="text" value="1"/>		
M18	Channel B: Delay Time lim_2		<input type="text" value="1"/>		
M19	Channel A: Delay Time lim_b		<input type="text"/>		
M20	Channel B: Delay Time lim_b		<input type="text"/>		

**Relay Configuration - Group N**

N01	Channel A: lim_1 assigned to	--	<input type="checkbox"/>	K1	<input checked="" type="checkbox"/>	K2	<input type="checkbox"/>	K3	<input type="checkbox"/>
N02	Channel B: lim_1 assigned to	--	<input type="checkbox"/>	K1	<input checked="" type="checkbox"/>	K2	<input type="checkbox"/>	K3	<input type="checkbox"/>
N03	Channel A: lim_2 assigned to	--	<input type="checkbox"/>	K1	<input type="checkbox"/>	K2	<input checked="" type="checkbox"/>	K3	<input type="checkbox"/>
N04	Channel B: lim_2 assigned to	--	<input type="checkbox"/>	K1	<input type="checkbox"/>	K2	<input checked="" type="checkbox"/>	K3	<input type="checkbox"/>
N05	Channel A: lim_b assigned to	--	<input type="checkbox"/>	K1	<input type="checkbox"/>	K2	<input type="checkbox"/>	K3	<input type="checkbox"/>
N06	Channel B: lim_b assigned to	--	<input type="checkbox"/>	K1	<input type="checkbox"/>	K2	<input type="checkbox"/>	K3	<input type="checkbox"/>
N07	Relay K1: Latching	Y	<input checked="" type="checkbox"/>	N	<input type="checkbox"/>				
N08	Relay K2: Latching	Y	<input checked="" type="checkbox"/>	N	<input type="checkbox"/>				
N09	Relay K3: Latching	Y	<input checked="" type="checkbox"/>	N	<input type="checkbox"/>				
N10	Relay K1: Normally Energized	Y	<input type="checkbox"/>	N	<input checked="" type="checkbox"/>				
N11	Relay K2: Normally Energized	Y	<input type="checkbox"/>	N	<input checked="" type="checkbox"/>				
N12	Relay K3: Normally Energized	Y	<input type="checkbox"/>	N	<input checked="" type="checkbox"/>				
N13	Relay K1: Logic	AND	<input type="checkbox"/>	OR	<input checked="" type="checkbox"/>				
N14	Relay K2: Logic	AND	<input type="checkbox"/>	OR	<input checked="" type="checkbox"/>				
N15	Relay K3: Logic	AND	<input type="checkbox"/>	OR	<input checked="" type="checkbox"/>				

**OK Monitoring - Group O**

O01	Channel A: OK-Monitoring	Y	<input checked="" type="checkbox"/>	N	<input type="checkbox"/>
O02	Channel B: OK-Monitoring	Y	<input checked="" type="checkbox"/>	N	<input type="checkbox"/>
O03	Channel A: OK-Lower Limit		<input type="text" value="-22.0000"/>		
O04	Channel B: OK-Lower Limit		<input type="text" value="-22.0000"/>		
O05	Channel A: OK-Upper Limit		<input type="text" value="-2.0000"/>		
O06	Channel B: OK-Upper Limit		<input type="text" value="-2.0000"/>		

**Baud Rate for Serial Interface - Group P**

P00	Device Address		<input type="text" value="1"/>						
P01	Serial Port 1:	9600	<input checked="" type="checkbox"/>	4800	<input type="checkbox"/>	2400	<input type="checkbox"/>	1200	<input type="checkbox"/>
P02	Serial Port 2:	9600	<input checked="" type="checkbox"/>	4800	<input type="checkbox"/>	2400	<input type="checkbox"/>	1200	<input type="checkbox"/>



## Parameter Configuration

Plant : \_\_\_\_\_  
 Version : VC 1100/C \_\_\_ V \_\_\_\_\_  
 Name : \_\_\_\_\_ Date: \_\_\_\_\_

### Channel and Sensor Selection - Group I

I01	Channel A	Y []	N []		
I02	Channel B	Y []	N []		
I03	Sensor	a []	v []		
I04	Unit	mV/g []	mV/m/s <sup>2</sup> []	mV/mm/s []	mV/ips []
I05	Sensitivity	[_____]			
I06	Frequency response linearization	Y []	N []		

### Channel Configuration - Group J

J01	Channel A: Vibration	Y []	N []		
J02	Channel B: Vibration	Y []	N []		
J03	Channel A: Parameter	a []	v []	s []	
J04	Channel B: Parameter	a []	v []	s []	
J05	Channel A: Unit	g []	m/s <sup>2</sup> []	mm/s []	
		ips []	mm []	mils []	
J06	Channel B: Unit	g []	m/s <sup>2</sup> []	mm/s []	
		ips []	mm []	mils []	
J07	Channel A: Signal Detection	rms []	pc []	ppc []	
J08	Channel B: Signal Detection	rms []	pc []	ppc []	
J09	Channel A: Full Scale	[_____]			
J10	Channel B: Full Scale	[_____]			
J11	Channel A: Bearing Condition (BCU)	Y []	N []		
J12	Channel B: Bearing Condition (BCU)	Y []	N []		
J13	Channel A: BCU Full Scale	[_____]			
J14	Channel B: BCU Full Scale	[_____]			
J15	Channel A: BCU Averaging (BCU)	Y []	N []		
J16	Channel B: BCU Averaging (BCU)	Y []	N []		
J17	Channel A: Mean time (BCU)	[_____]			
J18	Channel B: Mean time (BCU)	[_____]			
J19	Channel A: BCU Scaling Factor	[_____]			
J20	Channel B: BCU Scaling Factor	[_____]			

### Filter Configuration - Group K

K01	Channel A: Low cutoff frequency	1Hz []	3Hz []	10Hz ISO []	* Spec. []
K02	Channel B: Low cutoff frequency	1Hz []	3Hz []	10Hz ISO []	* Spec. []
K03	Channel A: High cutoff frequency	10kHz []	1kHz ISO []	* Spec. []	
K04	Channel B: High cutoff frequency	10kHz []	1kHz ISO []	* Spec. []	

### Analog Output - Group L

L01	Analog Output 1:	0..10V []	0..20mA []	4..20mA []	
L02	Analog Output 2:	0..10V []	0..20mA []	4..20mA []	
L03	Analog Output 1: Parameter	vib_A []	BCU_A []	vib_B []	BCU_B []
L04	Analog Output 2: Parameter	vib_A []	BCU_A []	vib_B []	BCU_B []
L05	Analog Output 1: Full Scale	[_____]			
L06	Analog Output 2: Full Scale	[_____]			

\* Possible only if a supplementary filter is installed as an option.

**Limit Configuration - Group M**

M01	Channel A: Monitoring	Y []	N []
M02	Channel B: Monitoring	Y []	N []
M03	Channel A: Monitor lim_1	Y []	N []
M04	Channel B: Monitor lim_1	Y []	N []
M05	Channel A: Monitor lim_2	Y []	N []
M06	Channel B: Monitor lim_2	Y []	N []
M07	Channel A: Monitor lim_b	Y []	N []
M08	Channel B: Monitor lim_b	Y []	N []
M09	Channel A: Value lim_1	[ ]	[ ]
M10	Channel B: Value lim_1	[ ]	[ ]
M11	Channel A: Value lim_2	[ ]	[ ]
M12	Channel B: Value lim_2	[ ]	[ ]
M13	Channel A: Value lim_b	[ ]	[ ]
M14	Channel B: Value lim_b	[ ]	[ ]
M15	Channel A: Delay Time lim_1	[ ]	[ ]
M16	Channel B: Delay Time lim_1	[ ]	[ ]
M17	Channel A: Delay Time lim_2	[ ]	[ ]
M18	Channel B: Delay Time lim_2	[ ]	[ ]
M19	Channel A: Delay Time lim_b	[ ]	[ ]
M20	Channel B: Delay Time lim_b	[ ]	[ ]

**Relay Configuration - Group N**

N01	Channel A: lim_1 assigned to	-- []	K1 []	K2 []	K3 []
N02	Channel B: lim_1 assigned to	-- []	K1 []	K2 []	K3 []
N03	Channel A: lim_2 assigned to	-- []	K1 []	K2 []	K3 []
N04	Channel B: lim_2 assigned to	-- []	K1 []	K2 []	K3 []
N05	Channel A: lim_b assigned to	-- []	K1 []	K2 []	K3 []
N06	Channel B: lim_b assigned to	-- []	K1 []	K2 []	K3 []
N07	Relay K1: Latching	Y []	N []		
N08	Relay K2: Latching	Y []	N []		
N09	Relay K3: Latching	Y []	N []		
N10	Relay K1: Normally Energized	Y []	N []		
N11	Relay K2: Normally Energized	Y []	N []		
N12	Relay K3: Normally Energized	Y []	N []		
N13	Relay K1: Logic	AND []	OR []		
N14	Relay K2: Logic	AND []	OR []		
N15	Relay K3: Logic	AND []	OR []		

**OK Monitoring - Group O**

O01	Channel A: OK-Monitoring	Y []	N []
O02	Channel B: OK-Monitoring	Y []	N []
O03	Channel A: OK-Lower Limit	[ ]	[ ]
O04	Channel B: OK-Lower Limit	[ ]	[ ]
O05	Channel A: OK-Upper Limit	[ ]	[ ]
O06	Channel B: OK-Upper Limit	[ ]	[ ]

**Baud Rate for Serial Interface - Group P**

P00	Device Address	[ ]			
P01	Serial Port 1:	9600 []	4800 []	2400 []	1200 []
P02	Serial Port 2:	9600 []	4800 []	2400 []	1200 []

## 6 Installation and Commissioning and Maintenance

### Installation



VIBROCONTROL 1100	Mount rear side down
Vibration sensors:	Consult sensor manual
Wiring:	Consult chapter 3 of this manual
Grounding:	Consult grounding recommendations

See chapters 2 and 3 of this manual for technical data and details on serial interfacing. Seal unused cable ports using ... AC-xxx.

### Commissioning

#### CAUTION!

The safety instructions are attached as a separate brochure in different languages.

Check wiring

Check supply voltage

Power Monitor

Enter setup parameters required for this installation

Connect sensors

Once the sensors are connected and power is applied, the OK error must clear showing everything is configured correctly.



Connect peripheral devices to relays and analog outputs.  
Connect serial interfaces as required

#### Note:

*The assembly of the VIBROCONTROL 1100 must not be undertaken in areas with permanent vibrations. Possibly a vibration-isolated installation must be implemented.*

## Checks

Use the VIBROCONTROL 1100 service functions to verify all connected peripheral functions.

Service functions are described in chapter 5, under setup parameters group S.

Relays: Service parameters S01...S04

Analog outputs: Service parameters S05...S08

These functions provide a means to switch each relay separately and to set the analog outputs to predefined values.

Complete the installation by running self-test (S09) and auto-calibration (S10).

## Recommendation

Run auto-calibration under operating conditions with the machinery running.

The auto-calibration function does not change setup parameters.

## Maintenance

**Note:**

*Maintenance and repair work may only be carried out by trained personnel!*

- ◆ Calibration
- ◆ Maintenance
- ◆ Checking customer-specific use relative to OK, overload, measurement and threshold value resolution
- ◆ Checking buffer, relay and DC-OUT outputs
- ◆ Checking power supply
- ◆ Safeguarding customer-specific configuration
- ◆ The device may be cleaned externally using a slightly damp cloth



No moisture in the form of water or other fluids may be introduced into the device!

## Disposal



The driver is subject to the Waste Disposal Act for Electrical and Electronic Equipment. Do not dispose of the device in the regular household waste and observe local waste disposal regulations.

WEEE-Reg.-Nr. DE 69572330



**Brüel & Kjær Vibro**  
A member of the NSK Group

## EU-Konformitätserklärung / EU- Declaration of conformity

Hiermit bescheinigt das Unternehmen / The company

**Brüel & Kjær Vibro GmbH**  
**Leydheckerstraße 10**  
**D-64293 Darmstadt**



die Konformität des Produkts / herewith declares conformity of the product

**Mess – und Überwachungsgerät / Measuring and monitoring equipment**

**VIBROCONTROL 1100**

Typ / Type

**C01, C02, C11, C12**

mit folgenden einschlägigen Bestimmungen / with applicable regulations below  
EU-Richtlinie / EU-directive

**2014/30/EU EMV-Richtlinie / EMC-Directive**  
**2014/35/EU Niederspannungsrichtlinie / Low Voltage Directive**  
**2011/65/EU + (EU) 2015/863 Richtlinie zur Beschränkung der Verwendung bestimmter gefährlicher Stoffe in Elektro- und Elektronikgeräten/ EU Directive for the restriction of the use of certain hazardous substances in electrical and electronic equipment**

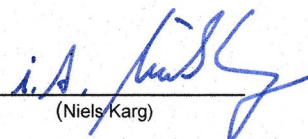
Angewendete harmonisierte Normen / Harmonized standards applied

**EN 61326-1: 2013**  
**EN 61010-1: 2010 + A1:2019 + A1:2019/AC:2019**  
**EN IEC 63000:2018**

Bereich / Division  
**Brüel & Kjær Vibro GmbH**

Unterschrift / Signature  
**CE-Beauftragter / CE-Coordinator**

Ort/Place **Darmstadt**  
Datum / Date **31.03.2022**

  
(Niels Karg)

UNRESTRICTED DOCUMENT



Brüel &amp; Kjær Vibro

Brüel &amp; Kjær Vibro GmbH

Leydheckerstrasse 10  
D-64293 Darmstadt  
Tel.: +49 6151 428-110  
Fax.: +49 6151 428-1200  
E-Mail: info@bkvibro.de

MANAGEMENT SYSTEM



DQS-zertifiziert nach  
certified by DQS according to  
ISO 9001:2015 Reg.-No. 067156 QM15

## Statement of Conformity

ROHS declaration according SJ/T 11364

产品名称：VC-1100

发布：Brüel & Kjær Vibro GmbH

产品中有害物质的名称及含量

部件名称	有毒有害物质或元素					
	铅 (Pb)	汞 (Hg)	镉 (Cd)	六价铬 (Cr(VI))	多溴联苯 (PBB)	多溴二苯 醚 (PBDE)
电缆接头	X	o	o	o	o	o
本表格依据SJ/T11364的规定编制 O：表示该有毒有害物质在该部件所有均质材料中的含量均在GB/T 26572 规定的限量要求以下。 X：表示该有毒有害物质至少在该部件的某一均质材料中的含量超出GB/T 26572标准规定的限量要求。						

Product name: VC-1100

Issued by: Brüel & Kjær Vibro GmbH

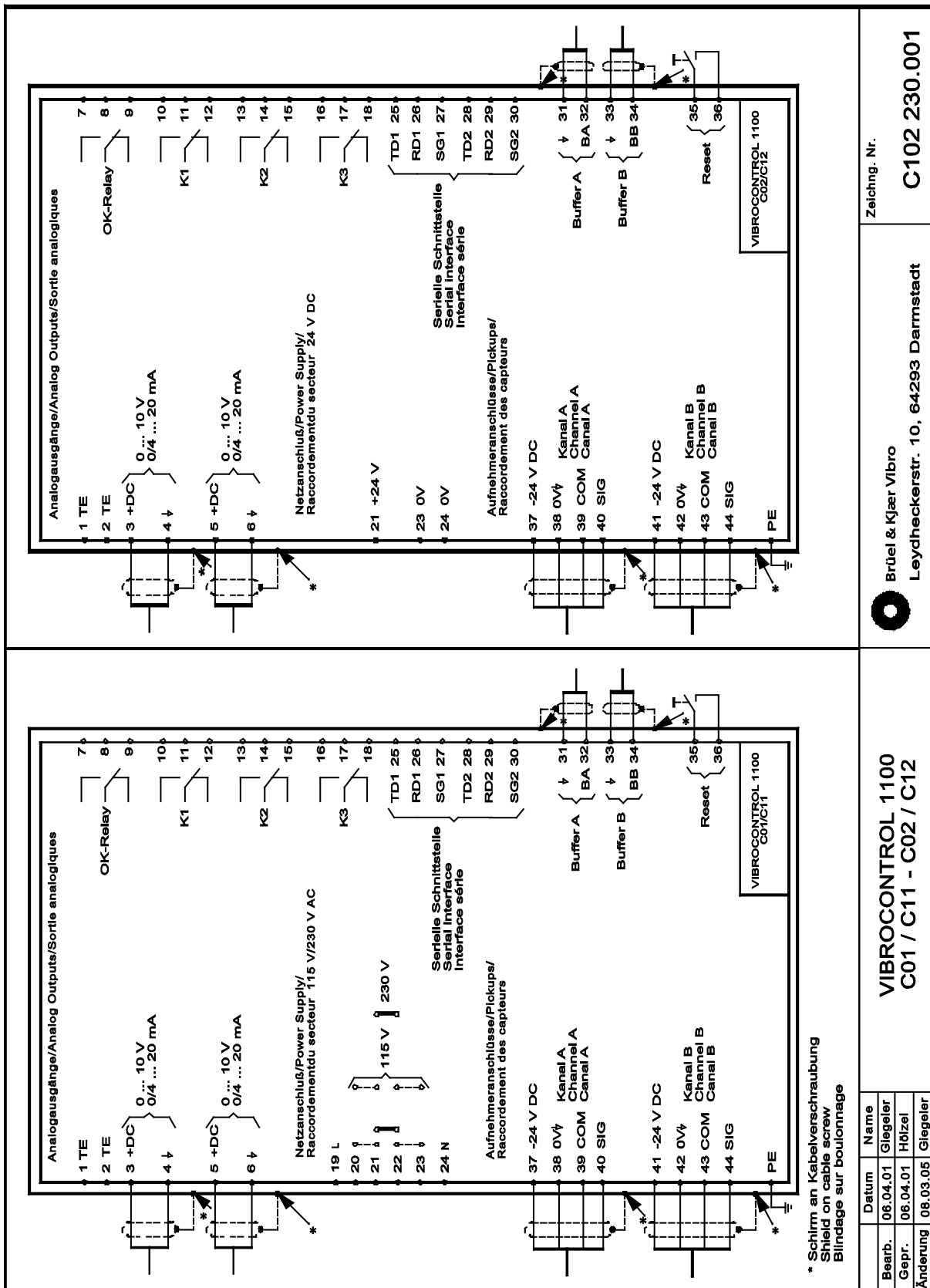
### Name and content of harmful substances in the product

Name of parts	Toxic and hazardous substances or elements					
	Lead (Pb)	Mercury (Hg)	Cadmium (Cd)	Hexavalent chromium (Cr(VI))	Polybrominated biphenyls (PBB)	Polybrominated diphenyl-ethers (PBDE)
Cable gland	X	o	o	o	o	o
This table is based on SJ/T11364 The provisions O: indicates that said harmful substances contained in all of the homogeneous materials for this part is below the limit requirements of GB/T 26572. X: indicates that said harmful substances contained in at least one of the homogeneous materials used for this part is above the limit requirements of GB/T 26572 Standard limits.						

Datum/Date  
31.03.2022

Seite/Page 1/1

UNRESTRICTED DOCUMENT



Zeichng. Nr.

C102 230.001

Brüel & Kjær Vibro  
Leydheckerstr. 10, 64293 Darmstadt

**VIBROCONTROL 1100  
C01 / C11 - C02 / C12**

Datum	Name
06.04.01	Giegeler
06.04.01	Hölzel
08.03.05	Giegeler

# Contact

## **Brüel & Kjær Vibro GmbH**

Leydheckerstrasse 10  
64293 Darmstadt  
Germany

Phone: +49 6151 428 0  
Fax: +49 6151 428 1000

Corporate E-Mail: [info@bkvibro.com](mailto:info@bkvibro.com)

## **Brüel & Kjær Vibro A/S**

Lyngby Hovedgade 94, 5 sal  
2800 Lyngby  
Denmark

Phone: +45 69 89 03 00  
Fax: +45 69 89 03 01

Homepage: [www.bkvibro.com](http://www.bkvibro.com)

## **BK Vibro America Inc.**

1100 Mark Circle  
Gardnerville NV 89410  
USA

Phone: +1 (775) 552 3110