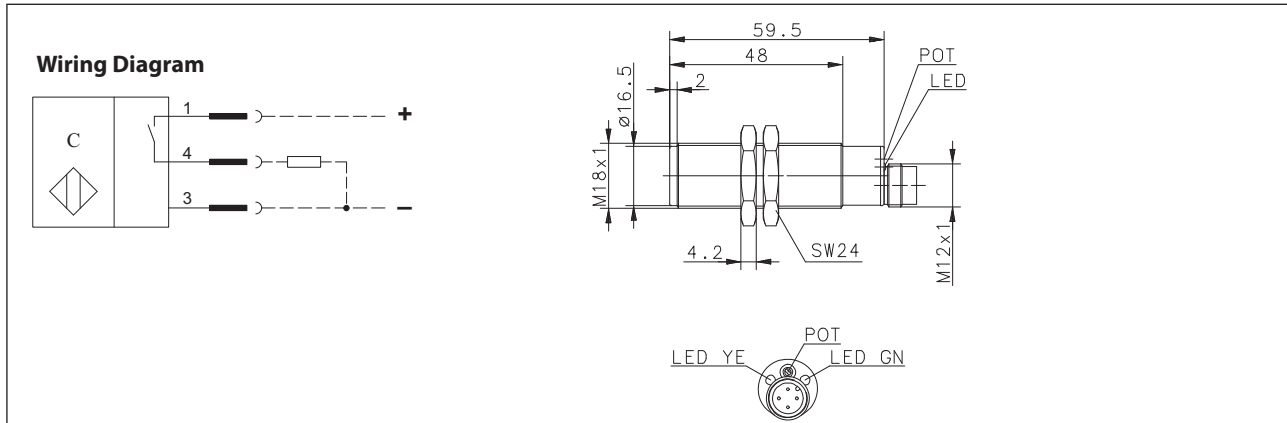


Capacitive Proximity Switch Series M18

Description **KCN-T18PS/013-KLPS12V**

Article number **6507921004**



Identifying characteristics in accordance with EN 60947-5-2

Electrical data		
Rated operating distance	S_n	20 mm
Effective operating distance	S_r	12,15 ... 14,85 mm
Mounting		non flush
Standard target		50 mm x 50 mm x 1 mm; material: steel; connected to earth
Sensing range	S_d	11,5 ... 12,5 mm; S_r adjustable with potentiometer (POT); turn right $\hat{=}$ high sensitivity, turn left $\hat{=}$ low sensitivity
Assured operating distance	S_a	$0 \leq S_a \leq 0,8 \times S_r$
Switching element function		DC N.O. pnp-output
Repeat accuracy	R	$\leq 0,1 \times S_r$
Differential travel (hysteresis)	H	$\leq 0,2 \times S_r$
Frequency of operating cycles	f	≥ 25 Hz
Rate doperational voltage	U_e	12 V - 48 V DC
Operational voltage range	U_b	10 V - 60 V DC
Rated insulation voltage	U_i	75 V DC
Rated impulse withstand voltage	U_{imp}	500 V
Voltage drop	U_d	< 2 V DC
Utilization category		DC 13
Rated operational current	I_e	200 mA DC
Minimum operational current	I_m	≥ 1 mA DC
Off-state current	I_r	$\leq 0,5$ mA DC
No-load supply current	I_o	≤ 20 mA DC
Switching element		permanent overload and s.c.p.
Short-circuit protection		pulsed
False polarity protection		yes, with permutation of +, -, output no damage occurs
Time delay before availability	t_v	≤ 50 ms

Electromagnetic compatibility (EMC)		
Electromagnetic field test	IEC 61000-4-3	10 V/m, 80...1000 MHz
Electrostatic discharge test	IEC 61000-4-2	6 kV CD, 8 kV AD
Electrical fast transient immunity test (Burst)	IEC 61000-4-4	4 kV coupling clamp
Impulse voltage withstand ability (Surge)	IEC 61000-4-5	500 V, 1,2/50 µs @ Ri = 42 Ω

Mechanical Data	
Enclosure	PBT, black
End cap	PA6.6, black
Ambient air temperature	-25 °C ... +70 °C
Type of protection	IP65 (only in fully locked position with it's plugs)
Pollution degree	3 (Pollution of the active zone can cause impairments of the operating distances.)
Indication	Power ON = LED green Output ON = LED yellow
Termination type	plug-connection
For attachment	2 x Hexagon nut (PA6.6, black)

EU Conformity	
	acc. to directive 2004 / 108 / EC