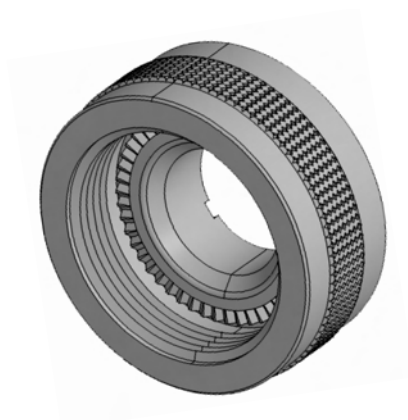


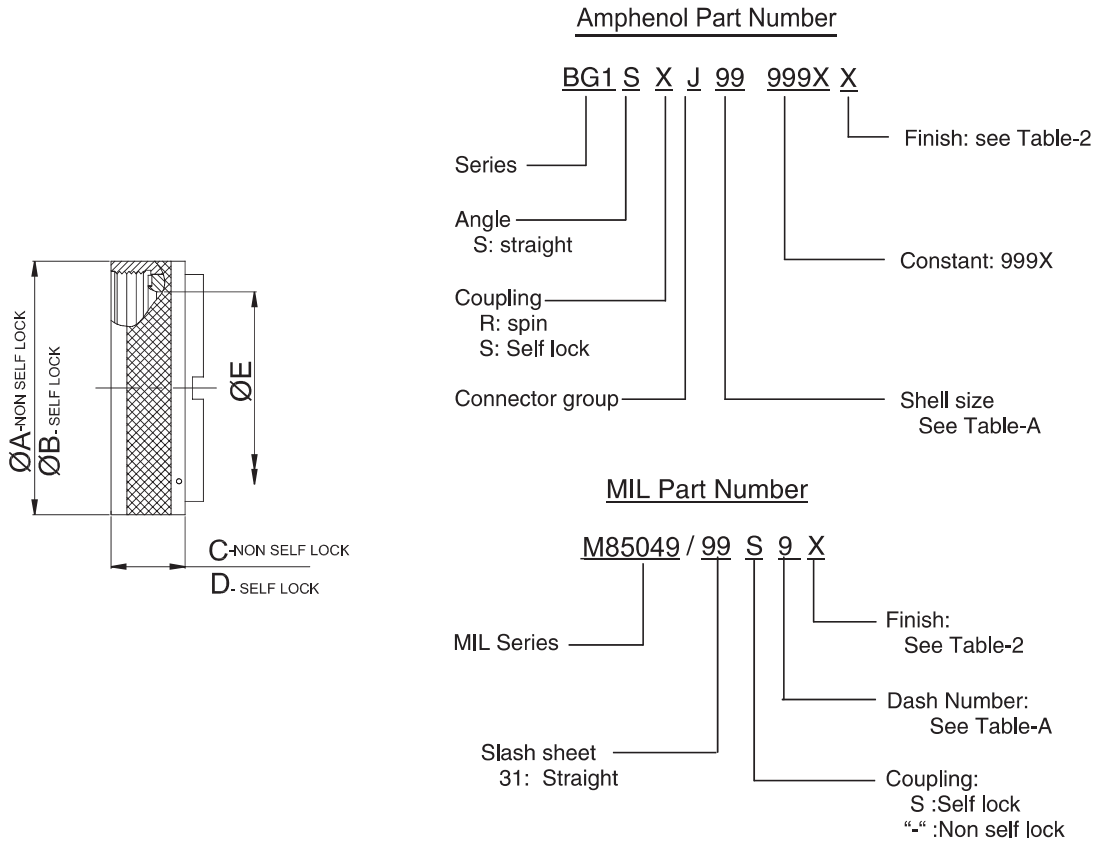
GROMMET NUT



Amphenol Back Nut provide a good grommet-holding force for the crimp Connector, when expensive and heavy back shells are not used. Such holding force is essential to hold the contacts and grommet in place when terminated with wire bundles.

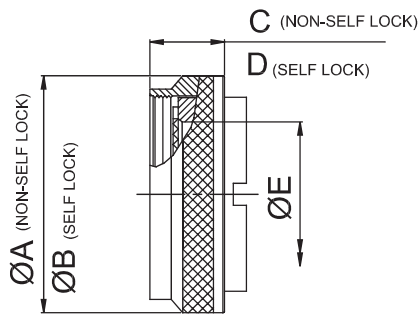
For Connector Group		Page No.
J	→	XII-1
K	→	XII-2
L	→	XII-3
M	→	XII-4
N	→	XII-5

Note: For Connector group Identification refer Table 1 - A, B, C, D (Page 7-11) and for Material / Plating Finish, Refer Table-2 (Page 12)

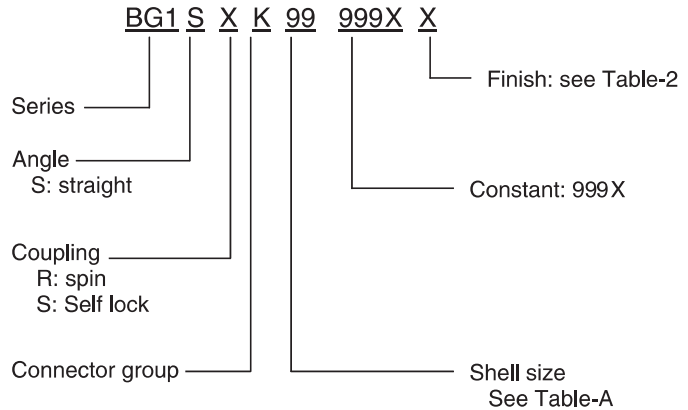


NOTE: * Slot shown in figure is optional for Non self-lock

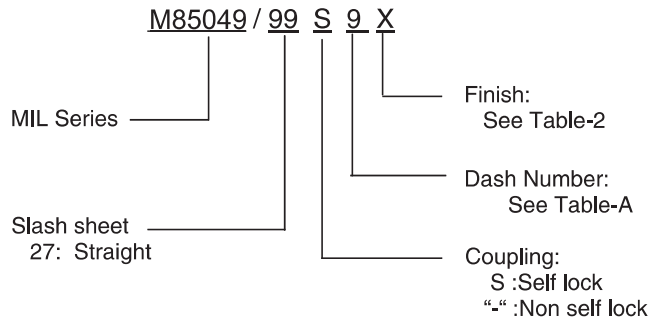
TABLE - A												
AMPHENOL PART NUMBER DESIGNATOR	MIL PART NUMBER DESIGNATOR	CONNECTOR SHELL SIZE	A DIA. (MAX)		B DIA. (MAX)		C (MAX)		D (MAX)		E (MAX)	
			INCH	MM	INCH	MM	INCH	MM	INCH	MM	INCH	MM
08	08	8	0.62	15.67	0.89	22.48	0.54	13.72	0.71	18.03	0.27	6.86
10	10	10	0.73	18.64	1.01	25.65	0.54	13.72	0.71	18.03	0.38	9.53
12	12	7/12	0.86	21.79	1.14	28.83	0.54	13.72	0.71	18.03	0.51	12.98
14	14	12/14	0.98	24.99	1.26	32.00	0.54	13.72	0.71	18.03	0.59	14.86
16	16	19/16	1.11	28.24	1.39	35.18	0.54	13.72	0.71	18.03	0.71	18.03
18	18	27/18	1.22	30.94	1.51	38.35	0.54	13.72	0.71	18.03	0.79	20.04
20	20	37/20	1.35	34.16	1.64	41.53	0.54	13.72	0.71	18.03	0.91	23.22
22	22	22	1.47	37.29	1.76	44.70	0.54	13.72	0.71	18.03	1.04	26.39
24	24	24	1.59	40.46	1.89	47.88	0.54	13.72	0.71	18.03	1.15	29.31
28	28	28	1.97	50.01	2.14	54.23	0.70	17.83	0.89	22.61	1.39	35.28
32	32	32	2.22	56.36	2.40	60.83	0.70	17.83	0.89	22.61	1.64	41.53
36	36	36	2.47	62.71	2.64	66.93	0.70	17.83	0.89	22.61	1.85	46.99
40	40	40	2.72	69.06	2.89	73.28	0.70	17.83	0.89	22.61	2.07	52.45
44	44	44	2.97	75.41	3.14	79.63	0.70	17.83	0.89	22.61	2.32	58.93
48	48	48	3.22	81.76	3.39	85.98	0.70	17.83	0.89	22.61	2.57	65.28



Amphenol Part Number

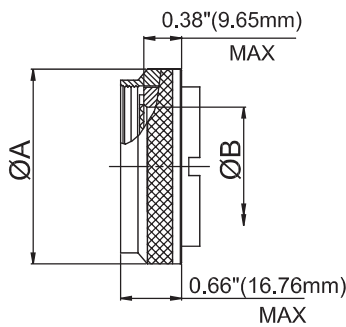


MIL Part Number

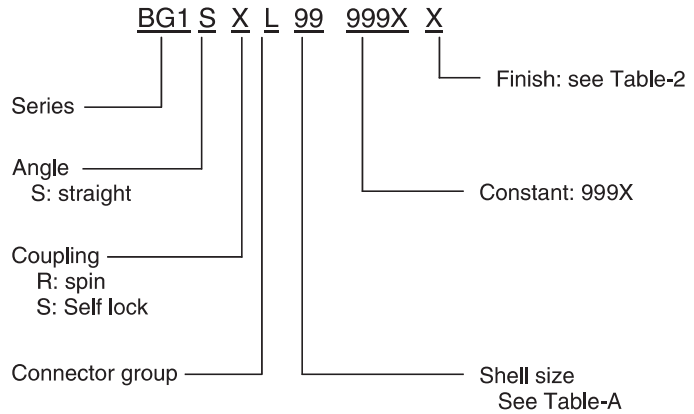


NOTE: * Slot shown in figure is optional for Non self-lock

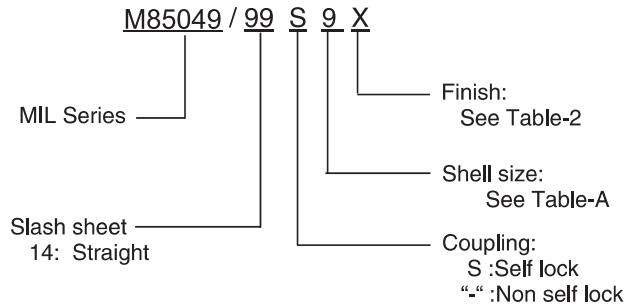
AMPHENOL PART NUMBER DESIGNATOR	MIL PART NUMBER DESIGNATOR	CONNECTOR SHELL SIZE SE - II / I	A DIA. (MAX)		B DIA. (MAX)		C (MAX)		D (MAX)		E DIA. (MAX)	
			INCH	MM	INCH	MM	INCH	MM	INCH	MM	INCH	MM
08	08	8 / 9	0.75	19.05	0.86	21.82	0.54	13.72	0.59	14.99	0.27	6.86
10	10	10 / 11	0.85	21.59	0.98	24.99	0.54	13.72	0.59	14.99	0.41	10.41
12	12	12 / 13	1.00	25.40	1.16	29.36	0.54	13.72	0.59	14.99	0.53	13.46
14	14	14 / 15	1.10	27.94	1.28	32.54	0.54	13.72	0.59	14.99	0.65	16.51
16	16	16 / 17	1.25	31.75	1.41	35.71	0.54	13.72	0.59	14.99	0.78	19.81
18	18	18 / 19	1.40	35.56	1.52	38.51	0.54	13.72	0.59	14.99	0.88	22.35
20	20	20 / 21	1.50	38.10	1.64	41.68	0.54	13.72	0.59	14.99	1.01	25.65
22	22	22 / 23	1.65	41.91	1.77	44.86	0.54	13.72	0.59	14.99	1.13	28.70
24	24	24 / 25	1.75	44.45	1.89	48.03	0.54	13.72	0.59	14.99	1.26	32.00



Amphenol Part Number



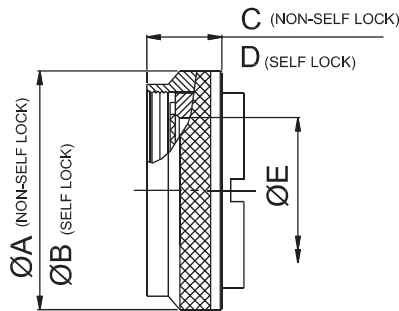
MIL Part Number



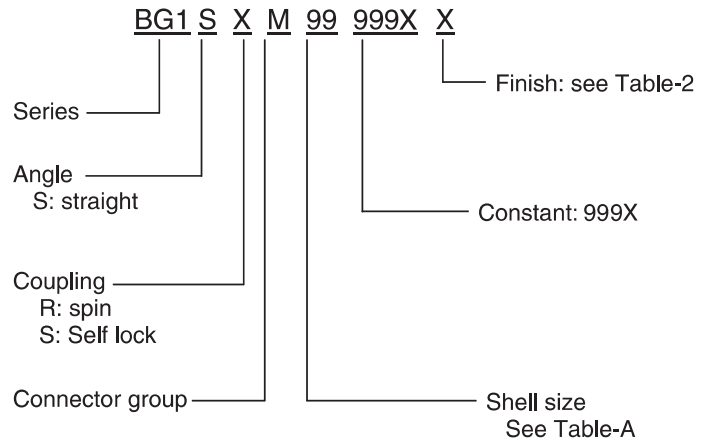
NOTE: * Slot shown in figure is optional for Non self-lock

TABLE - A						
AMPHENOL PART NUMBER DESIGNATOR	MIL PART NUMBER DESIGNATOR	CONNECTOR SHELL SIZE/CODE (REF.)	A DIA. (MAX)		B DIA. (MIN)	
			INCH	MM	INCH	MM
08	09	09 / A	0.86	21.79	0.26	6.71
10	11	11 / B	0.98	24.99	0.39	9.91
12	13	13 / C	1.16	29.39	0.50	12.80
14	15	15 / D	1.28	32.49	0.63	16.00
16	17	17 / E	1.41	35.71	0.76	19.20
18	19	19 / F	1.52	38.51	0.84	21.41
20	21	21 / G	1.64	41.71	0.97	24.64
22	23	23 / H	1.77	44.91	1.09	27.71
24	25	25 / J	1.89	47.98	1.22	30.91



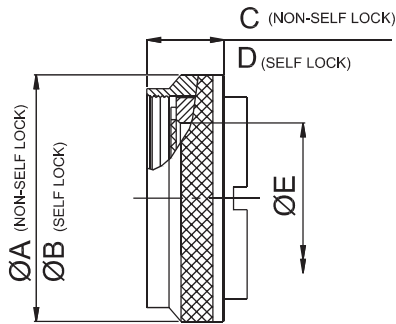


Amphenol Part Number

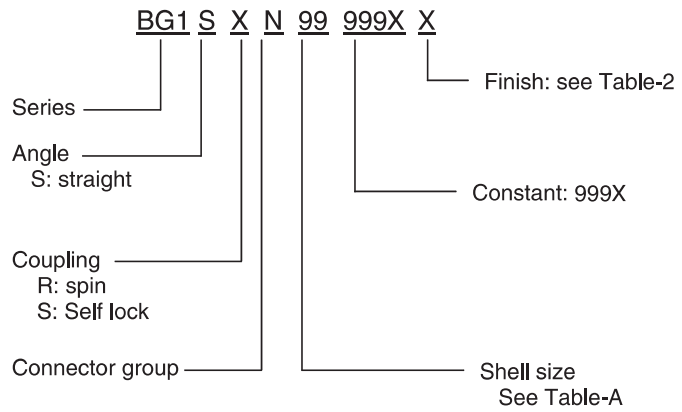


NOTE: * Slot shown in figure is optional for Non self-lock

AMPHENOL PART NUMBER DESIGNATOR	CONNECTOR SHELL SIZE	A DIA. (MAX)		B DIA. (MAX)		C (MAX)		D (MAX)		E DIA. (MAX)	
		INCH	MM	INCH	MM	INCH	MM	INCH	MM	INCH	MM
08	8	0.75	19.05	0.86	21.82	0.54	13.72	0.59	14.99	0.27	6.86
10	10	0.85	21.59	0.98	24.99	0.54	13.72	0.59	14.99	0.41	10.41
12	12	1.00	25.40	1.16	29.36	0.54	13.72	0.59	14.99	0.53	13.46
14	14	1.10	27.94	1.28	32.54	0.54	13.72	0.59	14.99	0.65	16.51
16	16	1.25	31.75	1.41	35.71	0.54	13.72	0.59	14.99	0.78	19.81
18	18	1.40	35.56	1.52	38.51	0.54	13.72	0.59	14.99	0.88	22.35
20	20	1.50	38.10	1.64	41.68	0.54	13.72	0.59	14.99	1.01	25.65
22	22	1.65	41.91	1.77	44.86	0.54	13.72	0.59	14.99	1.13	28.70
24	24	1.75	44.45	1.89	48.03	0.54	13.72	0.59	14.99	1.26	32.00



Amphenol Part Number



NOTE: * Slot shown in figure is optional for Non self-lock

TABLE - A											
AMPHENOL PART NUMBER DESIGNATOR	CONNECTOR SHELL SIZE	A DIA. (MAX)		B DIA. (MAX)		C (MAX)		D (MAX)		E DIA. (MAX)	
		INCH	MM	INCH	MM	INCH	MM	INCH	MM	INCH	MM
08	8	0.75	19.05	0.86	21.82	0.54	13.72	0.59	14.99	0.27	6.86
10	10	0.85	21.59	0.98	24.99	0.54	13.72	0.59	14.99	0.41	10.41
12	12	1.00	25.40	1.16	29.36	0.54	13.72	0.59	14.99	0.53	13.46
14	14	1.10	27.94	1.28	32.54	0.54	13.72	0.59	14.99	0.65	16.51
16	16	1.25	31.75	1.41	35.71	0.54	13.72	0.59	14.99	0.78	19.81
18	18	1.40	35.56	1.52	38.51	0.54	13.72	0.59	14.99	0.88	22.35
20	20	1.50	38.10	1.64	41.68	0.54	13.72	0.59	14.99	1.01	25.65
22	22	1.65	41.91	1.77	44.86	0.54	13.72	0.59	14.99	1.13	28.70
24	24	1.75	44.45	1.89	48.03	0.54	13.72	0.59	14.99	1.26	32.00

