

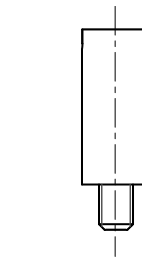
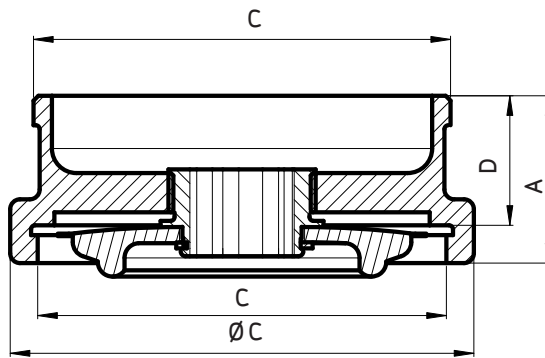
NovAseptic® VALVE, SPRING CLOSED VALVE SEAL (FOR PTFE DIAPHRAGM ONLY)

PRODUCT DESCRIPTION

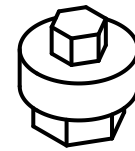
The NovAseptic Valve is specifically designed for aseptic applications and complies with the most stringent cleanability and sterilization requirements. The focus on aseptic design is a significant feature for all valves. The NovAseptic Valve is designed for minimum dead leg, complete drainability and high chemical resistance.

Catalogue Numbers:

NA#/84



Actuator Shaft
Extension (included)



D-Seal Mounting
Tool (not included)
(NA1276/93)

Patent Pending

Catalogue Number Structure



Nominal Dimensions in mm (in.)

Catalogue Number	A	B	C	D
NA12/84	27.5 (1.083)	47.0 (1.850)	TR40x2	22.5 (0.886)
NA18/84	29.0 (1.142)	62.0 (2.441)	TR55x2	22.5 (0.886)
NA25/84	30.0 (1.181)	84.5 (3.327)	TR75x2	21.3 (0.839)
NA38/84	34.1 (1.343)	94.5 (3.720)	TR85x2	26.4 (1.039)
NA51/84	34.2 (1.346)	119.5 (4.705)	TR109x2	26.2 (1.032)
NA76/84	39.4 (1.551)	159.2 (6.268)	TR146x2	28.4 (1.118)

* Note: Non-standard thread, special to fit NovAseptic Actuators

Specifications

Net Weight (approximate)

Valve Seal	NA12	NA18	NA25	NA38	NA51	NA76
Weight kg (lb)	0.3(0.66)	0.3 (0.66)	0.6 (1.3)	0.8 (1.8)	1.5 (3.3)	3.1 (6.83)

Material

	NovAseptic Spring Closed Valve Seal Body					
Material Code	SS2346		EN 1.4305		ASTM® 303	

Valve Seal	NA12	NA18	NA25	NA38	NA51	NA76
Weight kg (lb)	0.1(0.22)	0.2 (0.44)	0.4 (0.88)	0.8 (1.8)	1.4 (3.09)	4.3 (9.48)

Valve Seal Spare Parts (optional)

Valve Seal - Catalogue No.	Actuator Shaft Extension - Catalogue No.	Specification Sheet - Lit. No.
NA12/84	NA12/84-4	-
NA18/84	NA18/84-4	-
NA25/84	NA25/84-4	-
NA38/84	NA38/84-4	-
NA51/84	NA51/84-4	-
NA76/84	NA76/84-4	-

Valve Seal Accessory Parts (not included)

	Valve Seal - Catalogue No.	Specification Sheet - Lit. No.
Tightening Tool for Locking Ring	NA#/90	SP1161EN00
D-Seal Tightening Tool	NA1276/93	-

Specifications

Additional Information	
Dynamometric Wrench	A dynamometric wrench is needed for installation
Environment Temperature*	0 to 140 °C (32 to 284 °F)
Design Pressure*	-1 to 6 bar(g) (-14.5 to 87.0 psi(g))
Labeling	Each NovAseptic Spring Closed Valve Seal is labeled for full LOT traceability according to Millipore QA routines
Packaging	The NovAseptic Spring Closed Valve Seal is packaged in a closed box
Quality Control	Millipore Quality Assurance System guarantees the control and traceability of the product
Options	For non-standard product, please contact Millipore for further information.

**Note: The applied valve body, diaphragm and actuator may have different design temperature and/or pressure limits. The weakest component in the assembled product determines the maximum design temperature and pressure limits.*



www.millipore.com/offices

Millipore and NovAseptic are registered trademarks of Millipore Corporation.
Advancing Life Science Together and M logo are trademarks of Millipore Corporation.
Specifications subject to change without notice.
Lit. No. SP1009EN00 Rev. A 11/2007.
© 2007 Millipore Corporation. All rights reserved.

ADVANCING LIFE SCIENCE TOGETHER™
Research. Development. Production.