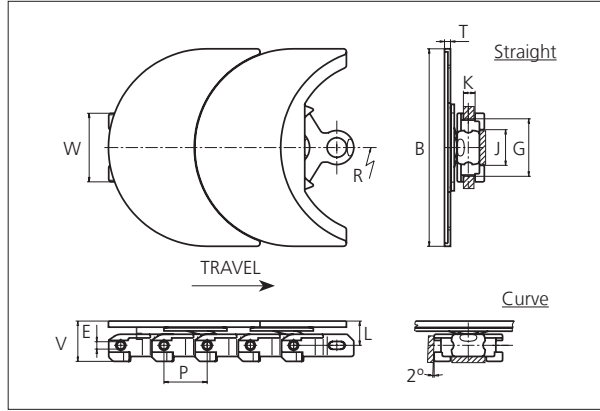


uni Flex Plastic Chain

uni 2700 LH



uni Flex Chains

Side flexing chain
 Pitch: 70.0 mm (2.76 in)
 Permissible tensile strength:
 POM material 11000 N (2473 lbf)

Delivery: 2.5 m (8.25 ft)
 No. of links/box: 36

Note that the 2700 LH cannot backflex.

B		E		G		J		K		L		P		T		V	
mm	in	mm	in	mm	in	mm	in	mm	in	mm	in	mm	in	mm	in	mm	in
320.0	12.60	12.0	0.47	92.0	3.62	57.0	2.24	19.0	0.75	38.9	1.53	70.0	2.76	9.5	0.37	65.9	2.59

All dimensions are for chains in POM material.

Width (W)		Recommended base material & color	Recommended plate material & color	Weight		Min. radius (R)	
mm	in			kg/m	lb/ft	mm	in
110.0	4.33	POM-LF BR	PA6 K	8.7	5.85	600.0	23.62

Non standard material and color: See uni Material and Color Overview.
 Non standard pin material: See uni Material and Color Overview.

NON STANDARD

UNI FLEX PLASTIC CHAIN

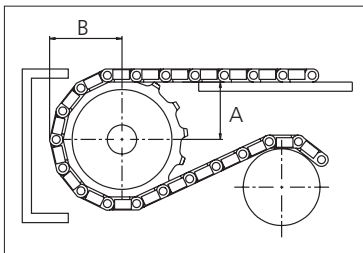
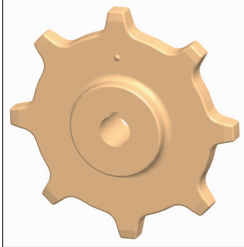


Sprocket

No of teeth	Pitch diameter		Overall-diameter		Min. ø bore		Max. ø bore		Hub-diameter		A-dimension		B-dimension		Molded PA66 LG	Machined PA66 N
	mm	in	mm	in	mm	in	mm	in	mm	in	mm	in	mm	in		
Z8	182.8	7.20	184.0	7.2	20.00	0.8	50.00	2.0	73.50	2.9	92.80	3.7	116.70	4.6		x
Z10	226.4	8.91	227.6	9.0	20.00	0.8	50.00	2.0	73.50	2.9	116.00	4.6	137.60	5.4		x

Non standard material and color:
See uni Material and Color Overview.

Machined sprocket



Please ensure that sufficient size shaft and keyway are chosen for corresponding load.

Other sprocket sizes are available upon request
Width of tooth: 15.0 mm/0.60 in
Width of sprocket: 42.3 mm/1.70 in
uni Retainer Rings: See uni Retainer Ring data sheet

uni 2700 LH/0412



Solid advice
For all your belting needs
Local stock & service
www.ammeraalbeltech.com

Ammeraal Beltech Modular A/S
Hjulmagervej 21
DK-7100 Vejle

T +45 7572 3100
F +45 7572 3348
admin@unichains.com
www.unichains.com

This information is subject to alteration due to continuous development. Ammeraal Beltech will not be held liable for the incorrect use of the above stated information. This information replaces previous information. All activities performed and services rendered by Ammeraal Beltech are subject to general terms and conditions of sale and delivery, as applied by its operating companies.